

Britt

SITS



Britt

Anna Näsström
designed by: Anna Näsström



UPHOLSTERY



fabric

COMFORTS



STD standard

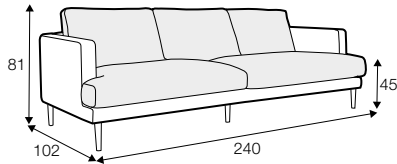


LUX lux

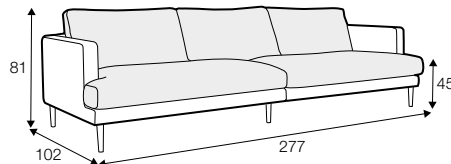
COVERS



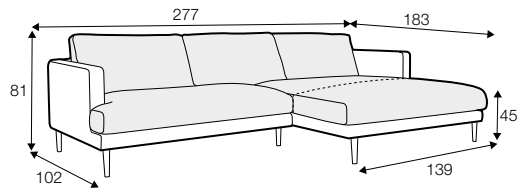
LCV loose with velcro



3 seater divided

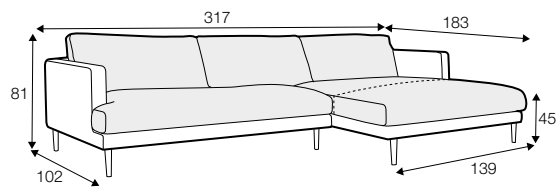


4 seater divided



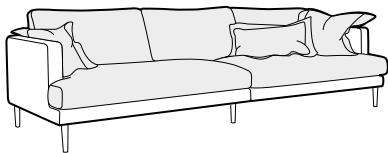
set 1

element 138 left / or right + chaiselongue right / or left



set 2

element 178 left / or right + chaiselongue right / or left

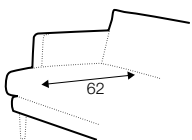


example with ravioli deco cushions

4 seater divided

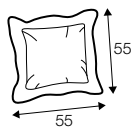
cushions 55x55, 45x45, 65x35

extra dimensions

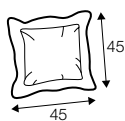


depth of seat

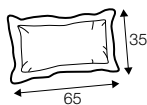
accessories



ravioli deco
cushion
55x55

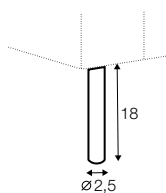


ravioli deco
cushion
45x45

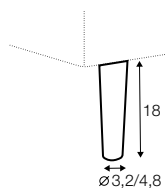


ravioli deco
cushion
65x35

legs

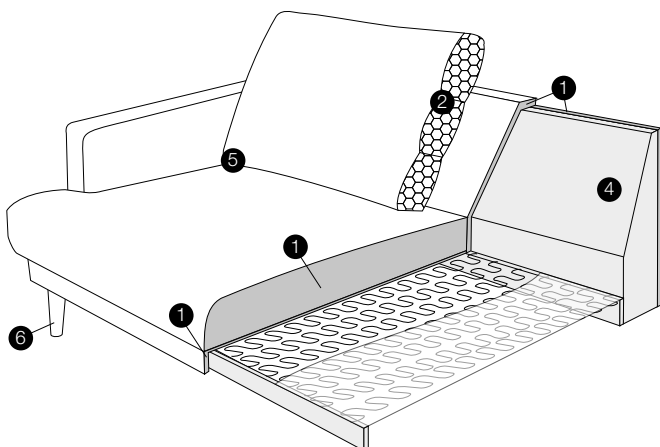


no. 177
metal chrome,
painted black



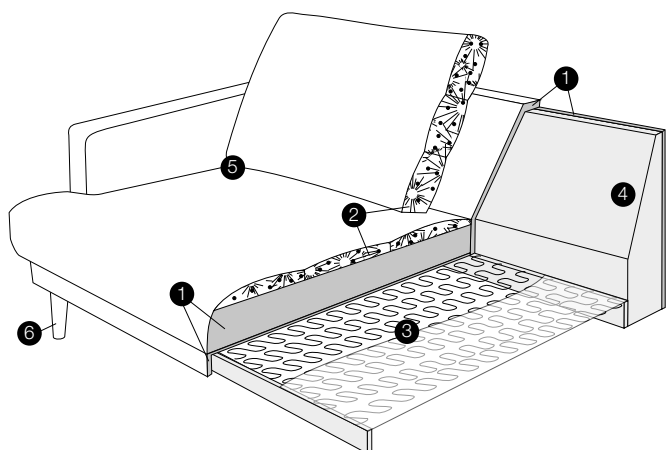
no. 141
wood

profile



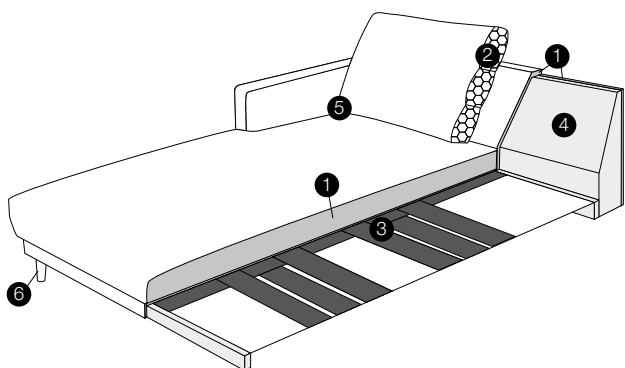
standard

1. polyurethane foam/ high resilient polyurethane foam
2. silicone balls
3. springs
4. solid wood and wood based elements
5. fabric
6. solid wood or metal legs



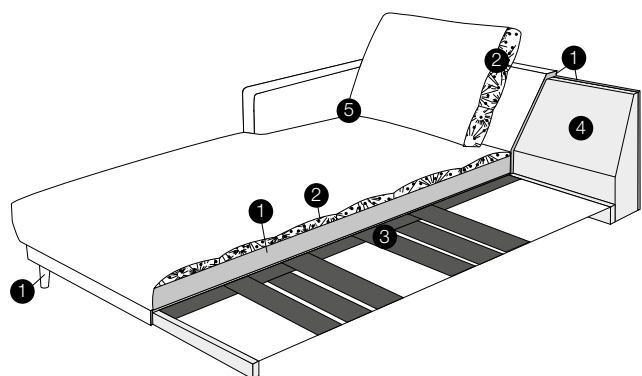
lux

1. polyurethane foam/high resilient polyurethane foam
2. cushion chamber with mix of feather and silicone balls
3. springs
4. solid wood and wood based elements
5. fabric
6. solid wood or metal legs



standard (chaiselongue)

1. polyurethane foam/ high resilient polyurethane foam
2. silicone balls
3. upholstery belts
4. solid wood and wood based elements
5. fabric
6. wood or metal legs



lux (chaiselongue)

- 1. polyurethane foam/high resilient polyurethane foam
- 2. cushion chamber with mix of feather and silicone balls
- 3. upholstery belts
- 4. solid wood and wood based elements
- 5. fabric
- 6. wood or metal legs