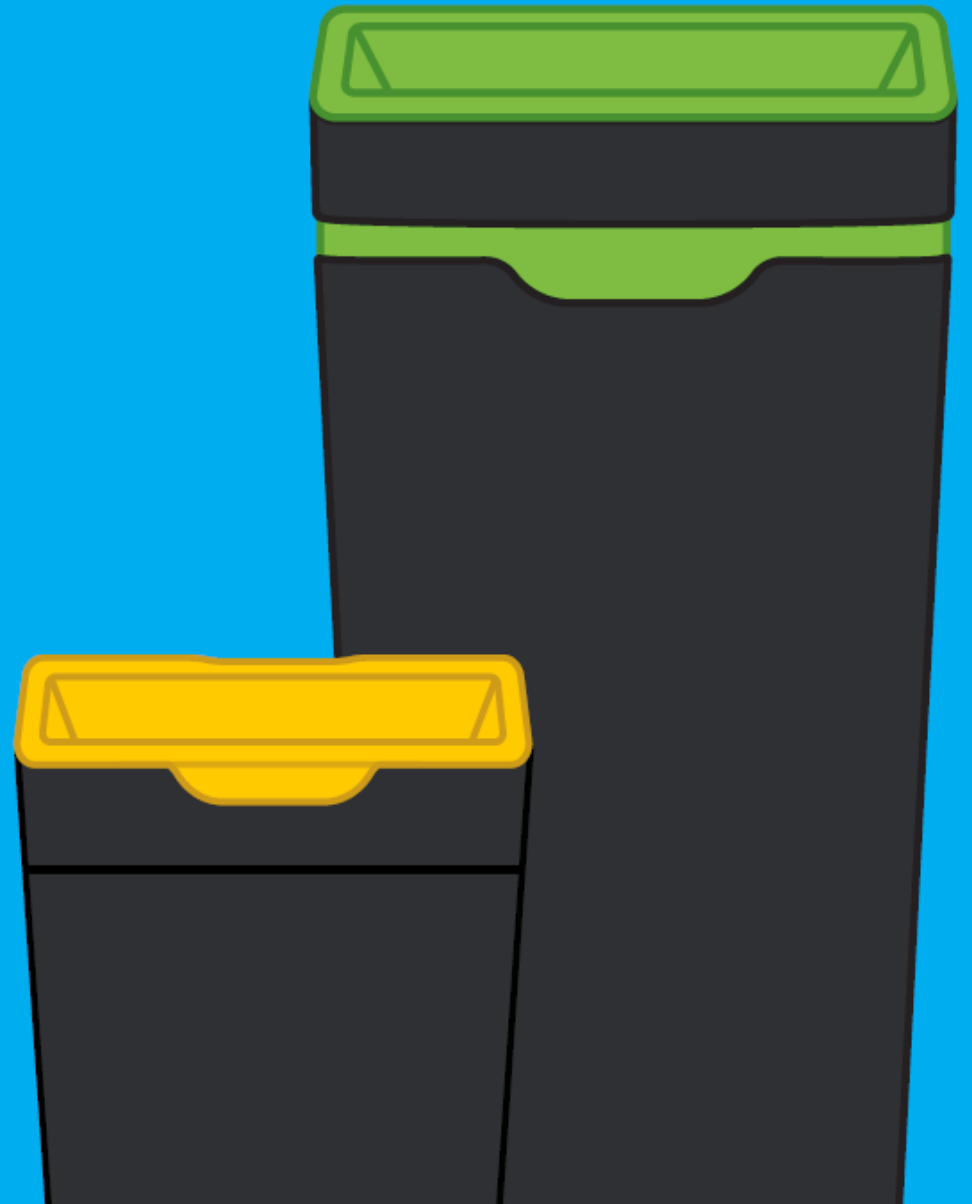


method .

# Recycling for every space

Award-winning design and proven results in modern spaces

Certified  
  
Corporation



# The Method system

Designed for the modern workspace, Method's philosophy of Open Plan Recycling brings beautiful bins out into the open plan design of modern spaces. To help organisations to recycle more and waste less.

## METHOD TWENTY

20L Method bins form stations to capture waste in smaller spaces

## CLEAR AND CONSISTENT

Bins placed where recyclables are produced to make recycling simple and effective

## PRECYCLERS

Desktop waste storage that encourages separation at the desk while reducing cleaning time and costs

## OUT IN THE OPEN

A visible statement of your commitment to recycling. Build awareness and create a collective culture

## METHOD SIXTY

60L Method bins form beautiful recycling stations for open plan spaces



## Our bins

### Method Sixty

---

For open plan spaces such as the office floor, kitchens, venues and foyers.

### Method Twenty

---

For sharing in smaller spaces such as meeting rooms, studios and kitchenettes.



# Flexible recycling stations

Method's bins make it easy for an organisation to introduce the streams they need and move them around their space to maximise their impact.



**Recycling**  
Mixed



**Paper**



**Soft Plastic**  
Bags, wrap & film



**Landfill**



**Organics**



**Organics**



**Container  
Deposit  
Scheme**

# Choose your lids

Method Sixty

Open

or

Touch



Method Twenty

Open





## Our accessories

# Method Signage

Personalised signage that customers can attach to their bins to increase understanding for users.

A large public shopping centre saw the following contamination statistics:

No Signs - 60% Contamination  
Vinyls - 40% Contamination  
Vertical Sign - 15% Contamination





## Our accessories

### Method Connectors

Lock your Method Sixty recycling stations into place, side-by-side, back-to-back or to a wall. Particularly useful in large facilities and high traffic areas.

Available in 2 or 3 bin connectors or use an expansion kit for larger stations.





## Our accessories

### Method Precyclers

Method's desktop Precyclers are the perfect tool to help an organisation that is moving away from desk bins.

They sit on a desk to capture paper, recyclables and waste while encouraging separation. That can then be emptied to the nearest recycling station.







## Our accessories

### Method Liners

Perfectly sized to fit Method bins.

Method Sixty liners are available in green compostable and clear or black plastic. Method Twenty liners are currently only available in the green compostable. Compostable liners are certified to break down in a commercial composting facility.

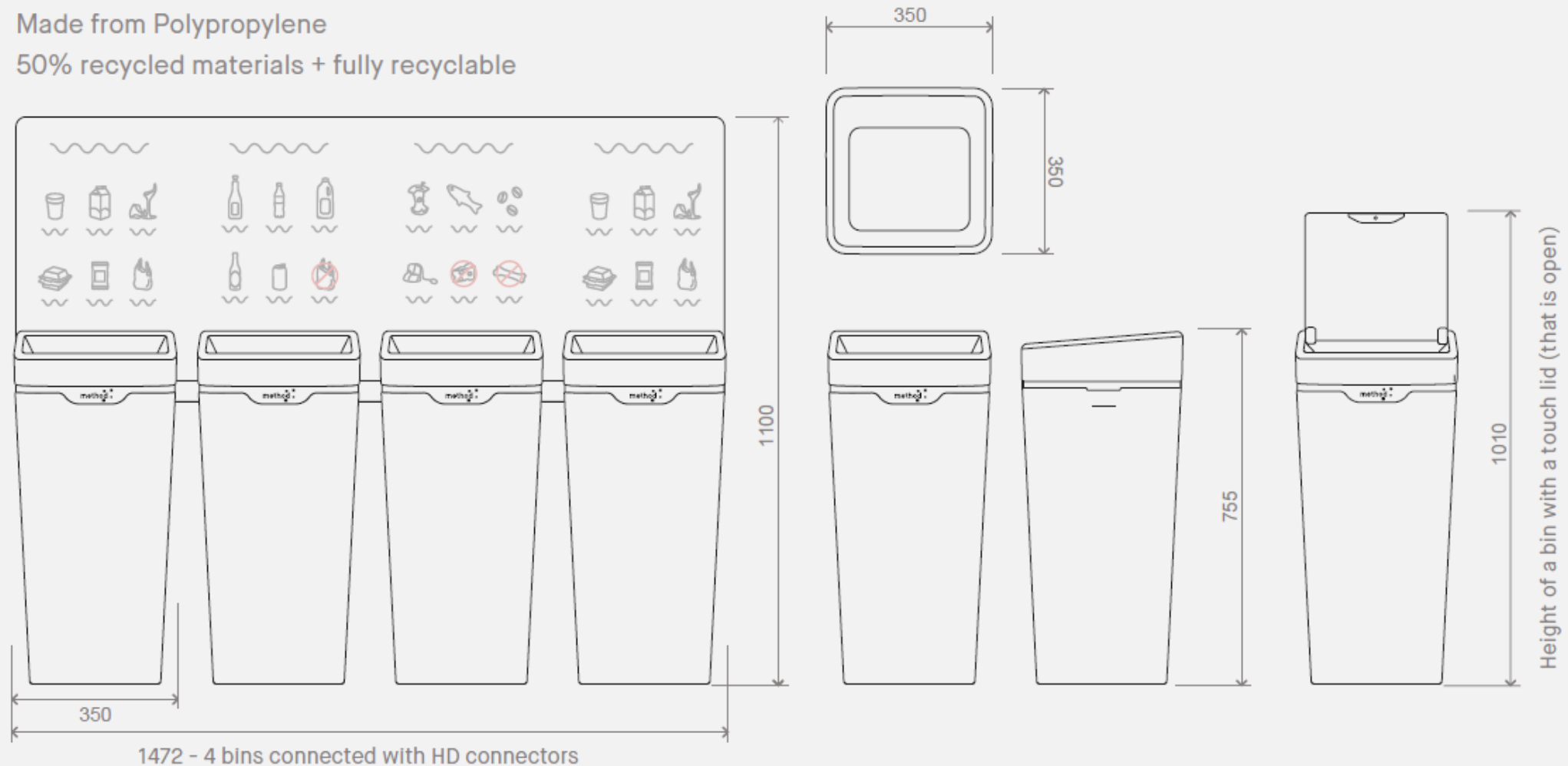
# Method Sixty bin specifications

350mm x 350mm x 755mm

60L Capacity

Made from Polypropylene

50% recycled materials + fully recyclable



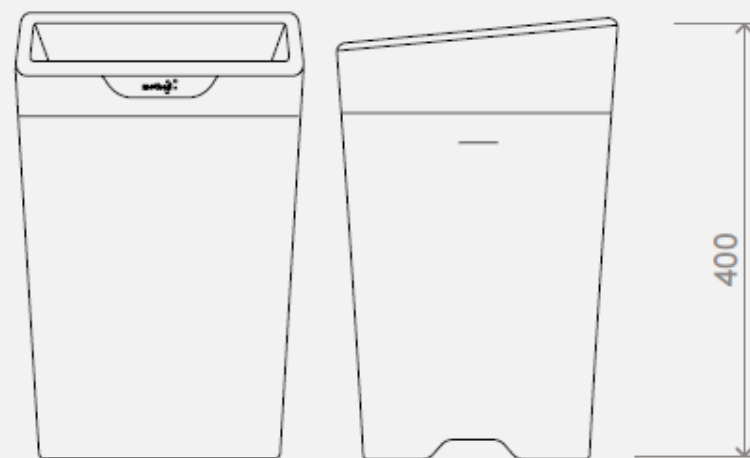
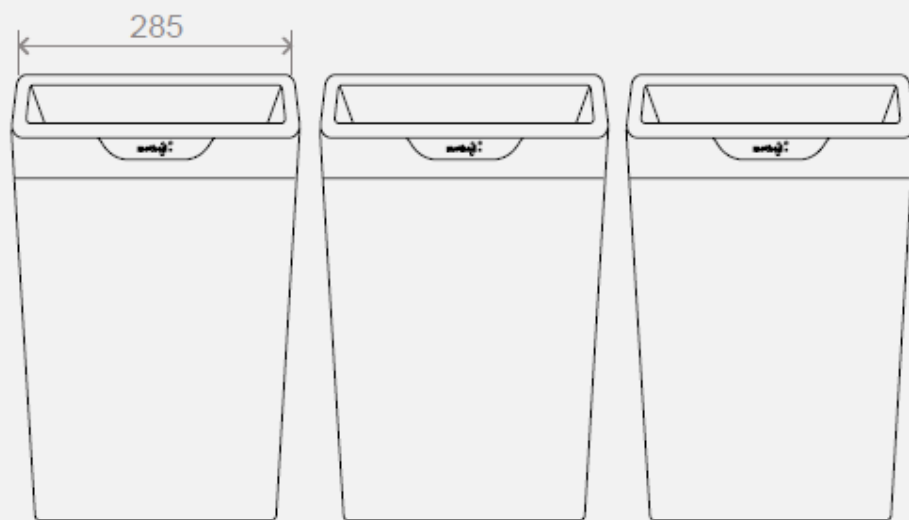
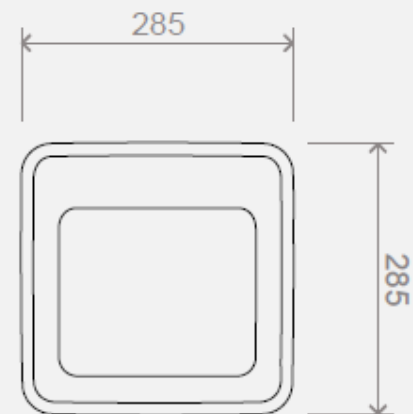
# Method Twenty bin specifications

285 x 285 x 400mm

20L Capacity

Made from Polypropylene

80% recycled materials + fully recyclable





## Some of our customers



## Foster + Partners



# Find out more

Email: [ladine@goecostore.com.au](mailto:ladine@goecostore.com.au)

Phone: Ladine on 0420 560 778

Go to: [www.goecostore.com.au](http://www.goecostore.com.au)

