

Method Installation Instructions

This is a practical guide to help you install your Method bins and accessories. You can find video guides and recycling resources at methodrecycling.com/resources.

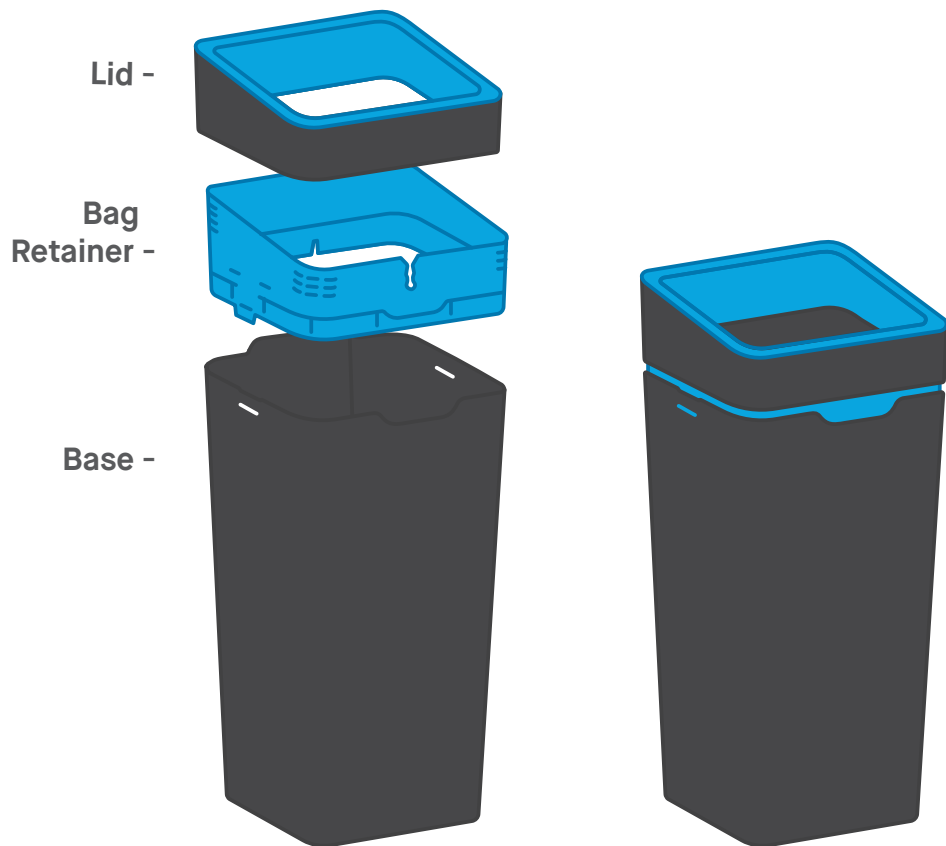
Contents

1. Assembling and lining a 60L bin
2. Assembling and lining a 20L bin
3. Attaching a Method Flex Connector
4. Attaching an expansion kit
5. Attaching a Method Vertical Signage
6. Attaching bins to a wall with Connector
7. Assembling your precyclers
8. Cleaning and bin care
9. Applying vinyl labels

Please consider the
environment before printing



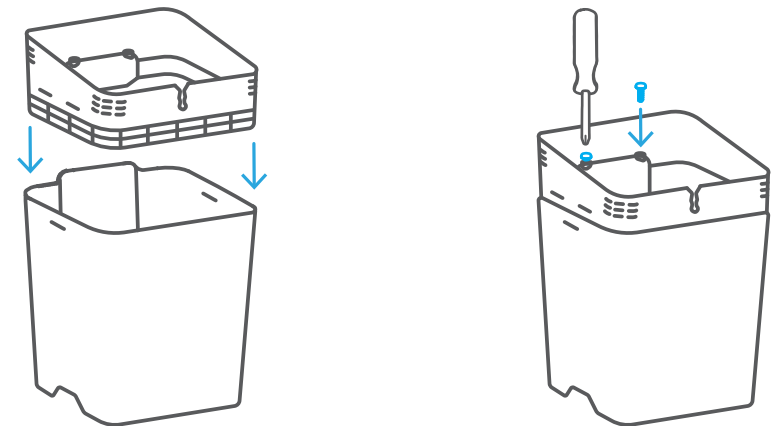
1. Assembling the Method Sixty



1. Gently pull the lid off the bag retainer.
2. Place the bag retainer into the base and make sure it clicks into the slots on the sides of the bin base.
3. Place the lid on and you're ready to go.
4. Check out the bin placement guide on our website to maximise your results.

2. Assembling the Method Twenty

Equipment needed: Philips head screwdriver



1. Place bag retainer into the base.
2. Screw the bag retainer into the back of the base using screws provided.
3. Place the screw covers provided over the screw heads.
4. Place the lid on and you're ready to go.

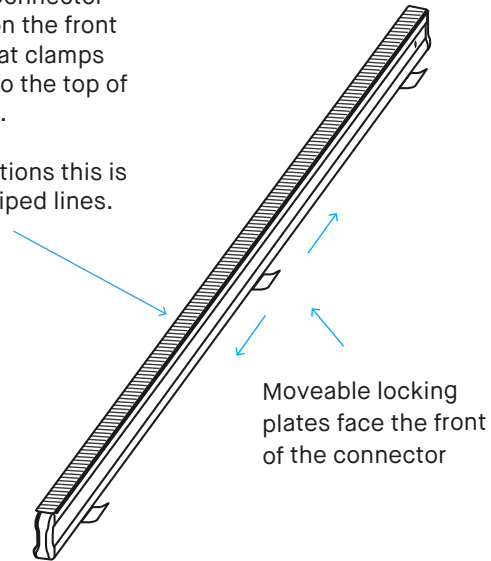
3. Attaching a Method Flex Connector

Equipment needed: 4 & 6 mm Metric hex keys

The anatomy of a flex connector

The top of the Connector has a small lip on the front side. This is what clamps the Connector to the top of your black base.

In these instructions this is indicated by striped lines.

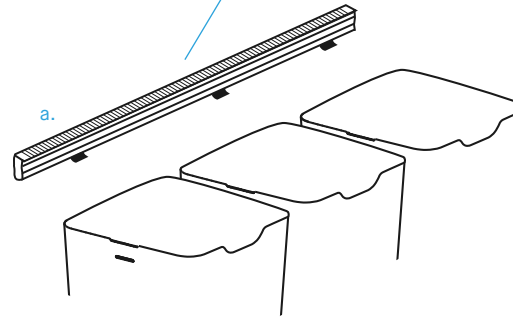


The back of the connector has a gap with nuts for attaching your vertical sign. On the illustrations below this is illustrated by a hard black line.

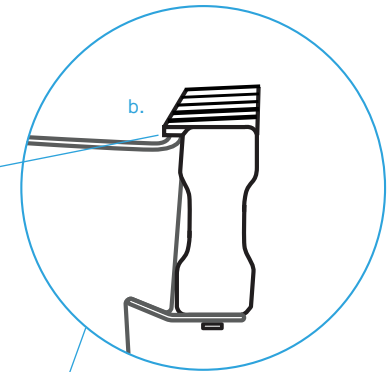


1. Attaching bins with a flex connector

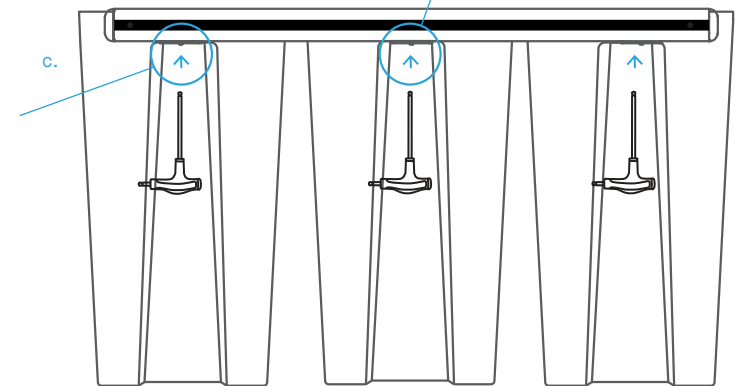
- a. Sit your bins together, with the locking plates going into the handles on the back of your bins.



- b. The lip of the connector should clamp onto the top of the base.



- c. Tighten the locking plate into the handle of the bin with a hex key making sure there is a small 1cm gap between each bin.

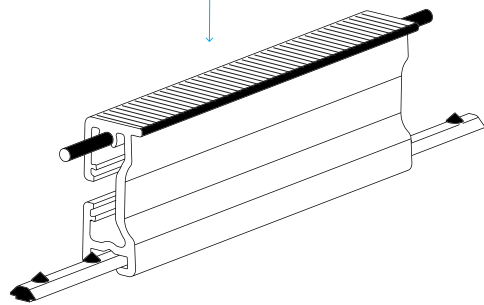


4. Attaching an expansion kit

If you have a station of 4 or more bins you will need to connect these with an expansion kit.
If you don't have one skip to step 3.

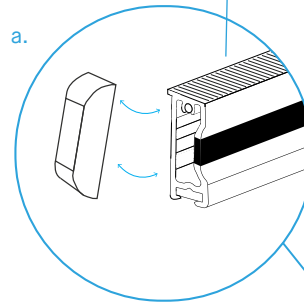
The anatomy of a method expansion kit

Top of the expansion with a lip on the front to match the connectors

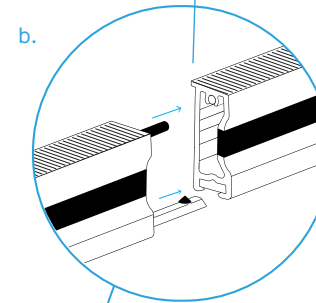


Screws that tighten from underneath

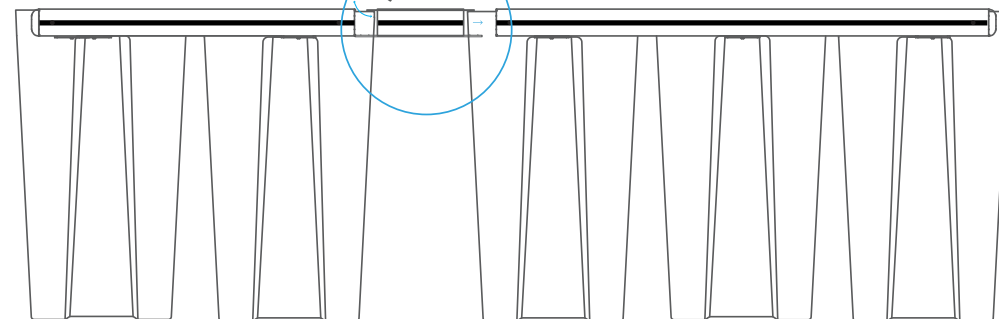
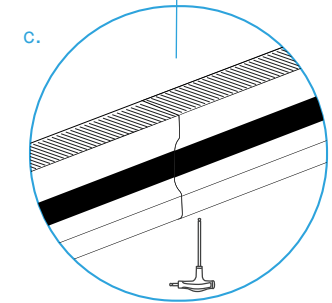
a. Remove the plastic end caps from the Connectors.



b. Push the expansion kit into the open ends of the connectors, ensuring the top lips of the expansion and connectors match up.

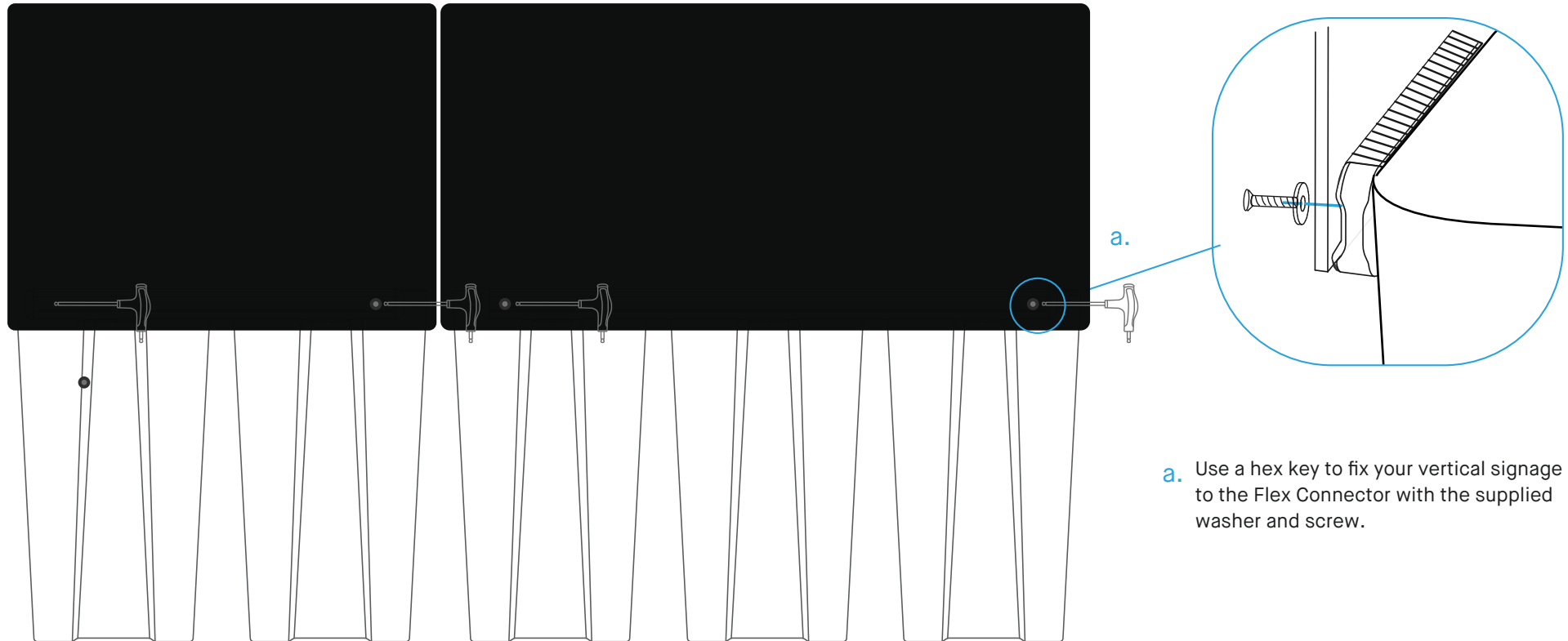


c. Using a small hex key tighten the small screws at the bottom of the expansion.



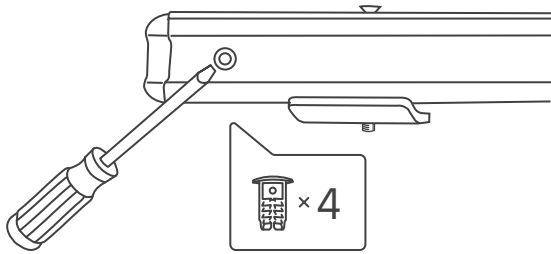
5. Attaching a Method Vertical Signage

Equipment needed: Hex key, washer (provided), screw (provided)
To be installed in conjunction with a Method Flex Connector

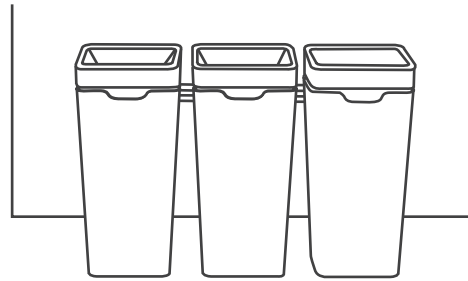


6. Attaching bins to a wall with a Method Connector

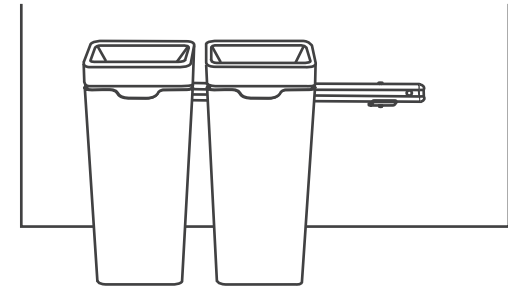
Equipment needed: Philips head screwdriver, hex key, drill with screw insert



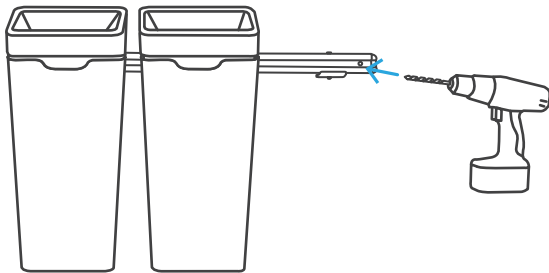
1. Remove the 4 hole covers on either side of the Method Connector with a screwdriver



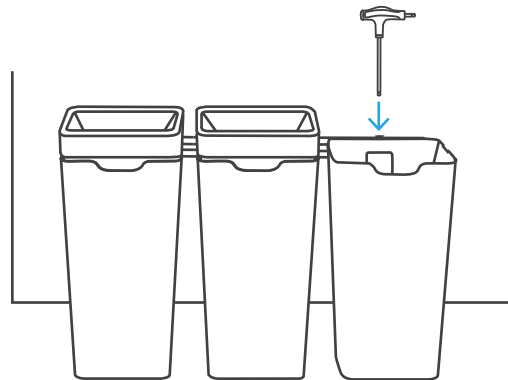
2. Position assembled station against wall/surface you wish to mount to. Ensure surface is suitable to have the station mounted on.



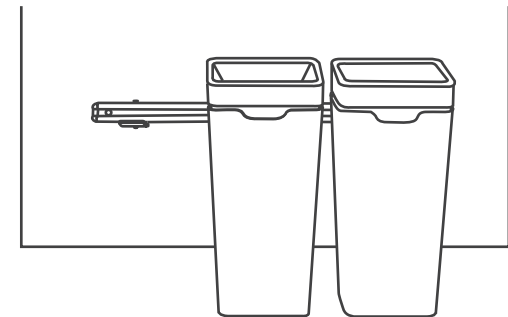
3. Remove 1 Method bin from the set leaving the Method Connector and rest of the set in place against your surface.



4. Using a drill, drill and screw Method Connector to the wall. Use appropriate screw/wall fastening.



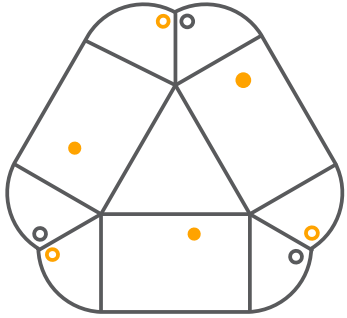
5. Reattach the removed Method recycling bin. Leaving the lid off the Method bin will make it easier to screw it back in when reassembling your station.



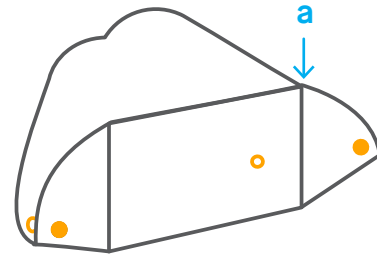
6. Repeat steps 3-5 for opposite end of Station.

7. Assembling your waste precycler

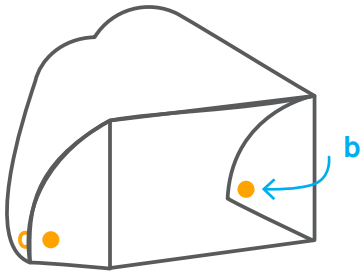
No tools needed, snap your precyclers together quickly. They easily un-snap for cleaning, and are dishwasher safe.



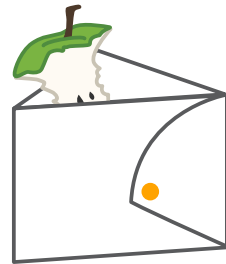
1. Place precycler on a flat surface (Method logo facing down).



2. Pull up one side and bend verticle corner folds and then push the button through the hole and fold edges together inwards.

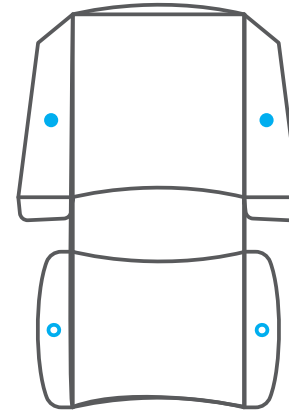


3. Push edges together towards front edge and clip button. Repeat steps a + b for remaining two corners.

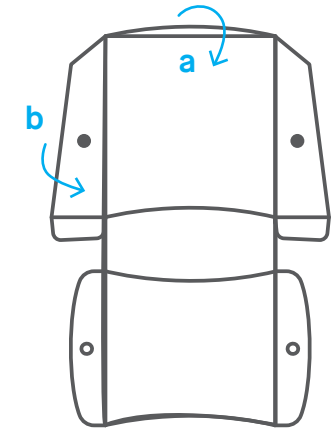


4. Your waste precycler is ready to seperate waste at your desk.

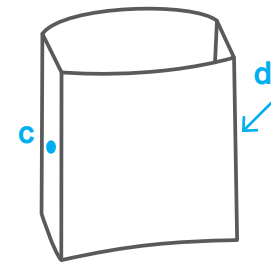
Assembling your paper precycler



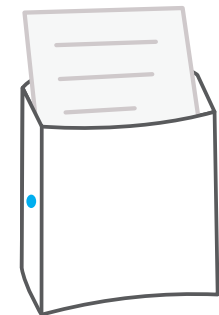
1. Place precycler on a flat surface (Method logo facing down).



2. Fold longer side upwards at base and then fold one side flap inwards.



3. Clip Buttons on that side together. Repeat this step for other side.



4. Your paper precycler is ready to seperate waste at your desk.

8. Cleaning and bin care

How to Clean Your Method Bins and Lids

To best clean your bins, we advise a soft cloth and a non-abrasive detergent.

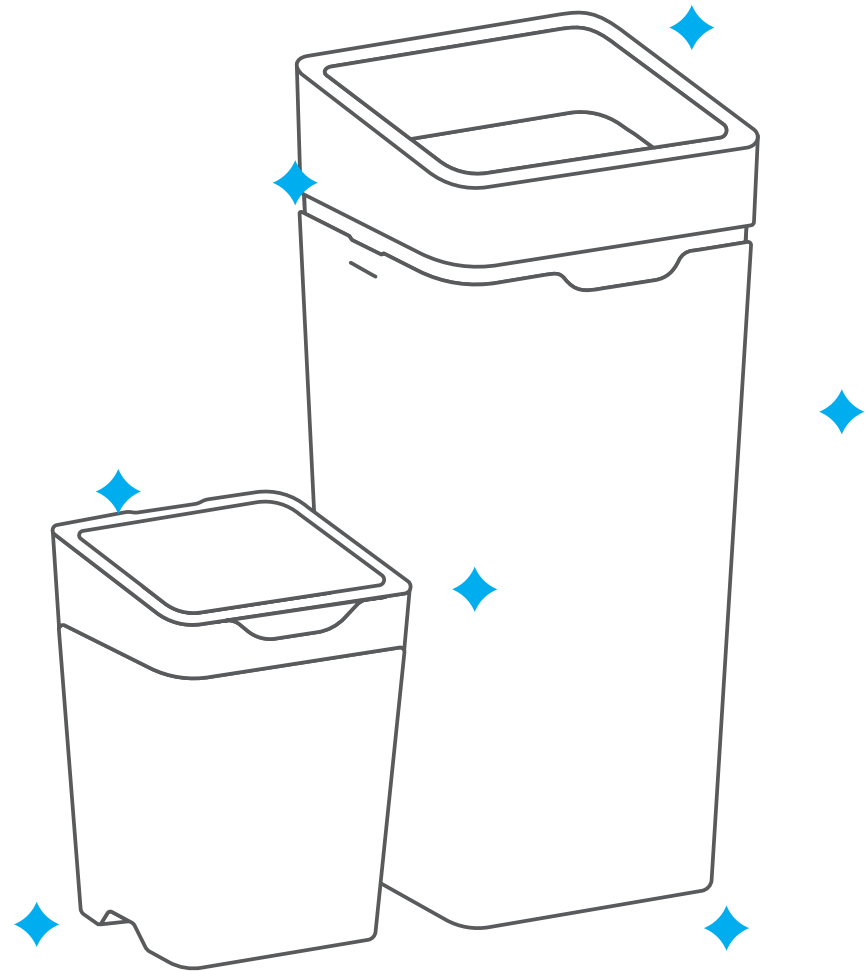
We do not recommend putting your method bins through a dishwasher or rinsing touch lids as this may result in damage to the product. Our open lids have been designed with curves to avoid hard to reach places.

How to Clean Your Precyclers

The precyclers can be washed by hand with a soft cloth and a mild detergent, or they can be safely washed in your dishwasher.

Designed for Indoor Use

Method's recycling bins are designed for an indoor environment, therefore we advise against keeping them outside.

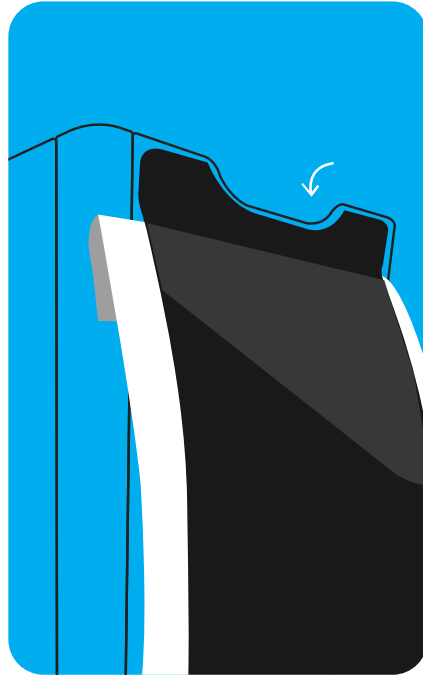


9. Applying vinyl labels

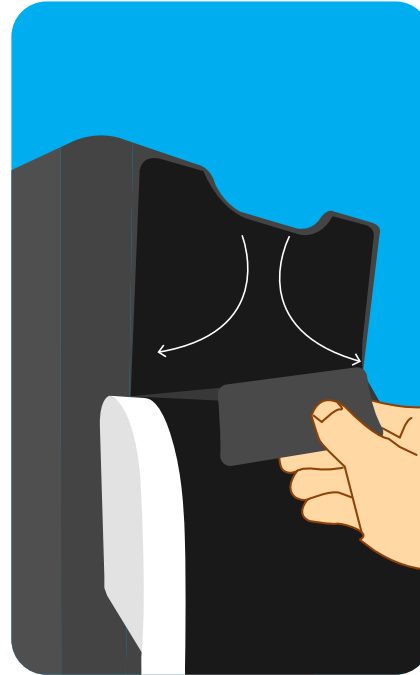
If you have ordered vinyl labels for your bins there are a few ways to apply them, this is the method we suggest.



1. Clean the area thoroughly with diluted IPA – isopropyl alcohol.



2. Align the sticker with the center of the bin (not with the corner-curve)



3. Smooth down from the top with an applicator as you go. Work from inside out



4. Use a soft, dry cloth to remove any excess liquid from the bin and vinyl.