

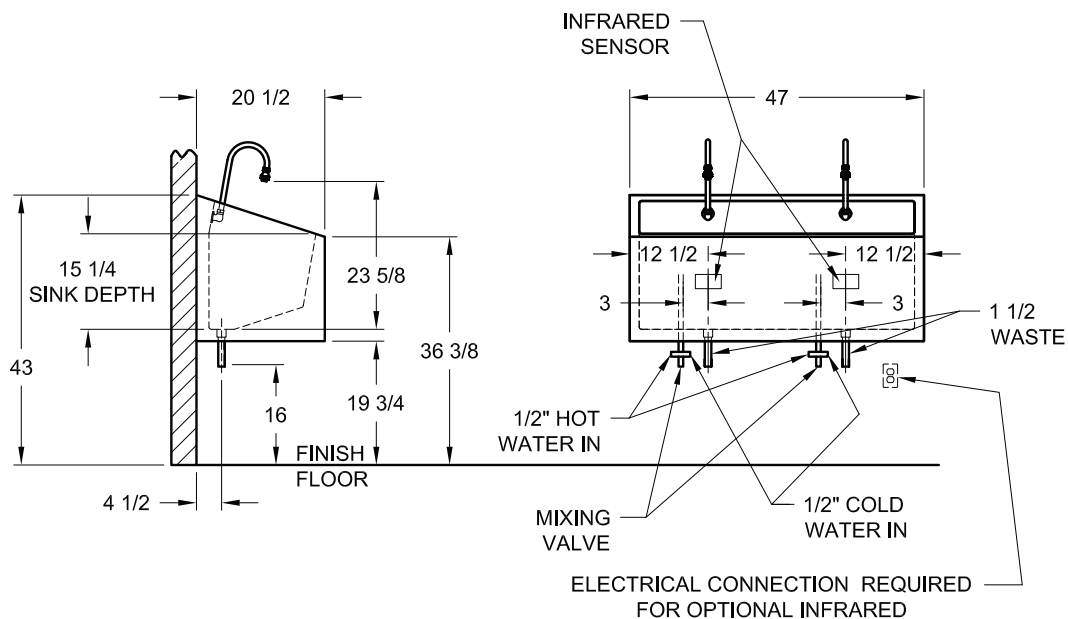
Surgical Scrub Sinks

ES-Series



Model # ES47 (Dual Station)

DIMENSIONS



NOTES:

1. MATERIAL: 14 GAUGE
304 STAINLESS STEEL
2. ALL PLUMBING 1/2" COPPER OR BRASS PIPE.
3. UTILITY REQUIREMENT
COLD WATER 20 TO 50 PSIG 70 DEG F MAX
HOT WATER 20 TO 50 PSIG 120 DEG F TO 140 DEG F
4. POWER REQUIREMENTS (FOR SENSOR OPERATIONS)
120 VAC, 60 Hz, SINGLE PHASE, 3.0 AMP OR
220 VAC, 60 Hz, SINGLE PHASE, 1.5 AMP.
INSTALLED PER LOCAL BUILDING CODES.
5. NET WEIGHT OF SINK 110 LB.

Surgical Scrub Sinks

ES-Series



Model # ES47 (Dual Station) with Wall Mounting Brackets (included)

DIMENSIONS

