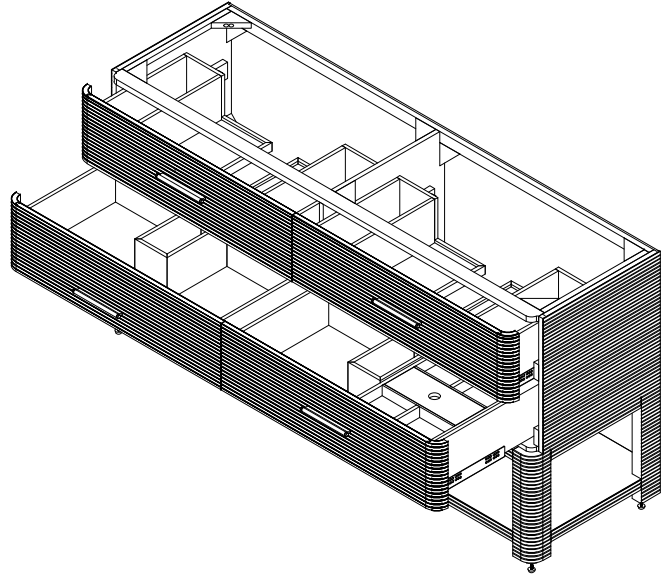
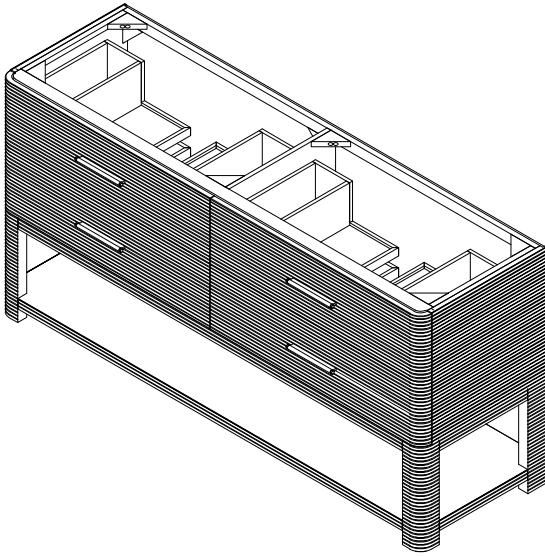


72" Lucian Double Vanity

D704-V72-CBO



72" Lucian Double Vanity

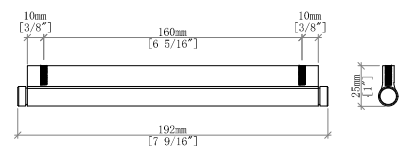
Details and Features

- Solids: Ash
- Veneers: Ash
- Panels: Marine MDF
- Installation Type: Free Standing
- Number of Doors: 0
- Number of Drawers: 4
- Top Drawers: Left and Right Storage Compartments and center U shaped tray style storage underneath the sink area
- Bottom Drawers: U-Shaped drawer to accommodate plumbing
- Assembly Type: Cabinet comes fully assembled
- Removable organizer with aluminum laminate liner
- Drawer Boxes: Ash veneer over Marine MDF
- English Dovetail joinery
- Aluminum Laminate Drawer Liners
- Hardware Material/Finish: Stainless Steel/Champagne Brass
- Full Extension, Soft Close Glides
- Adjustable levelers
- Vanity Top: Not Included – Optional 3cm Tops available
- Number of Basins: 1
(included with optional countertop purchase)

Dimension

- Width: 71-3/4" (1823mm)
- Depth: 21-3/8" (543mm)
- Height: 34-3/4" (884 mm)
- Rough-In: 21" (534mm)

Drawer Pulls

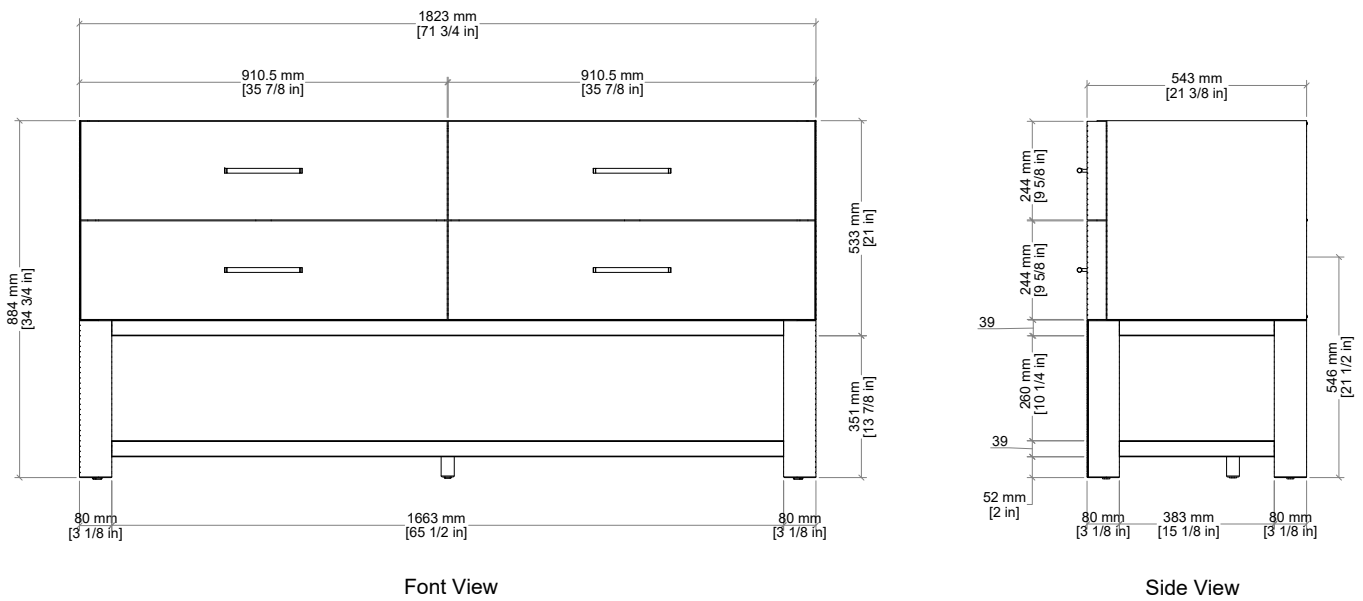


Visit website for warranty and installation information

<http://www.jamesmartinvanities.com>

72" Lucian Double Vanity

D704-V72-CBO



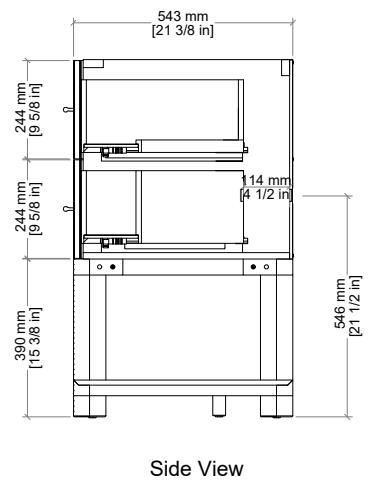
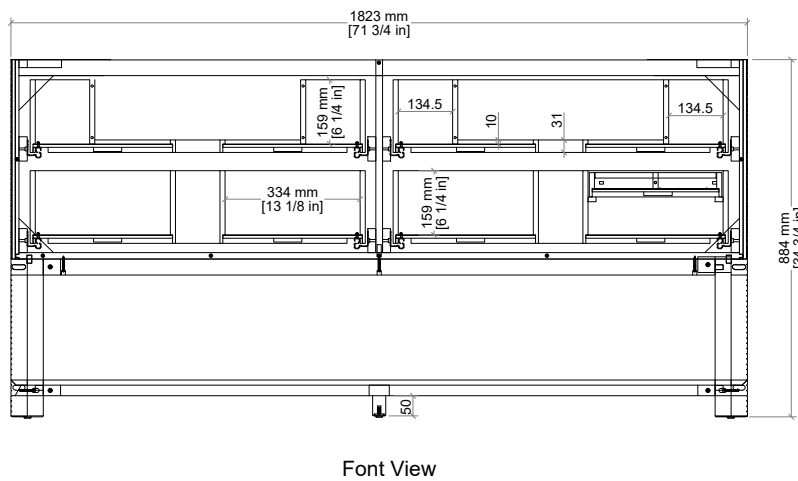
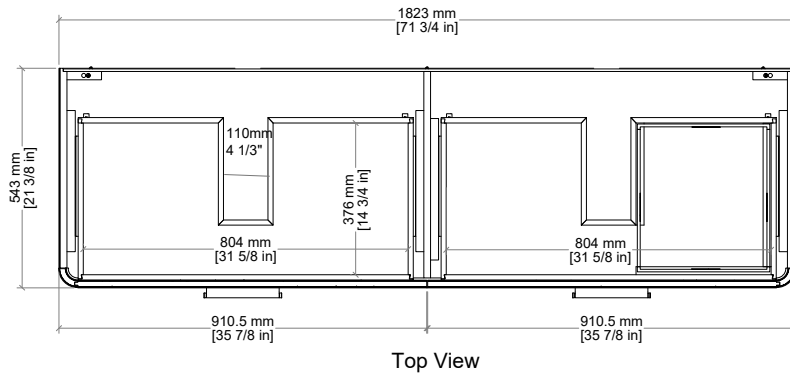
All dimensions are nominal

Diagrams are of cabinet only-James Martin Optional Countertops and sinks are not shown

Visit website for warranty and installation information
<http://www.jamesmartinvanities.com>

72" Lucian Double Vanity

D704-V72-CBO



All dimensions are nominal

Diagrams are of cabinet only-James Martin Optional Countertops and sinks are not shown

Visit website for warranty and installation information

<http://www.jamesmartinvanities.com>