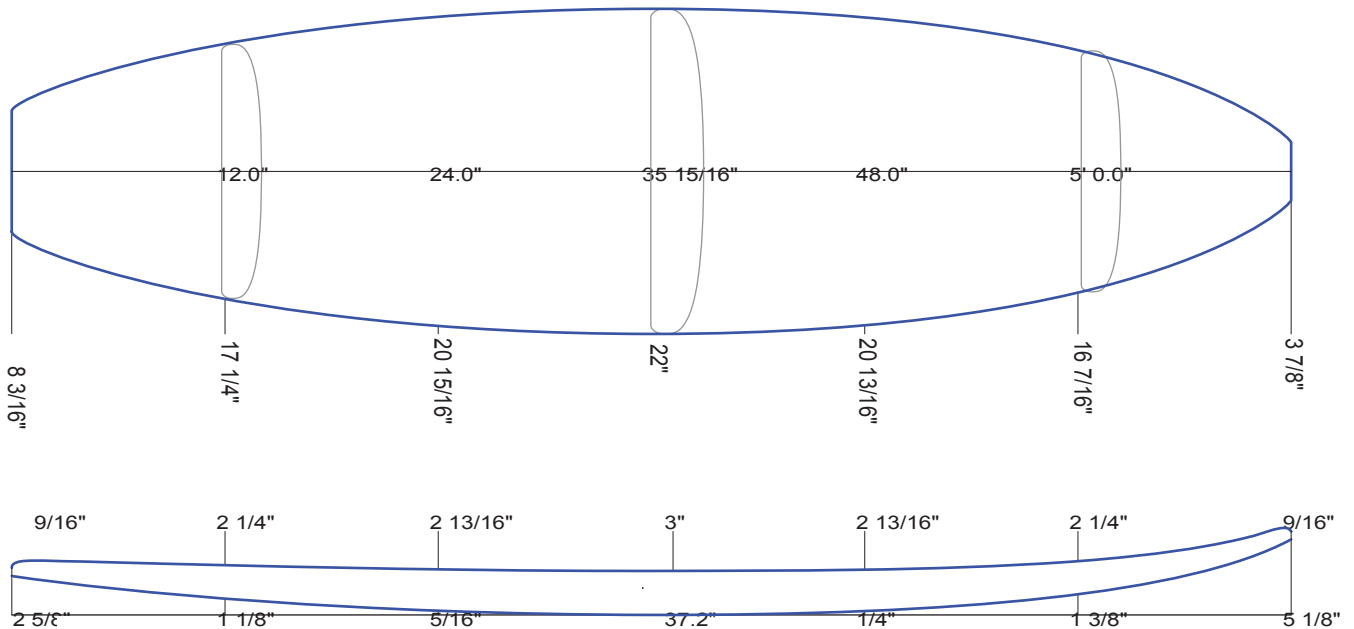




Surfblanks Australia Blank Diagrams



Reference Blank Chart

Size	Type	Width	Thickness	Features	New
6'2"	Kneeboard Fish	25"	3"	Maximum width for retro fish with surfboard profile	2001
6'5"	Fat Fish	25"	3 3/4"	Very high volume for conaves, retros, floaters	2009
6'6"	Kneeboard Fish	25"	3 1/16"	Maximum width for retro fish with surfboard profile	1999
6'11"	Fat Fish	25"	4"	Very high volume for conaves, retros, floaters	2009
7'2"	Funboard Fish	24 1/2"	3 5/16"	Maximum width for retro fish with surfboard profile	2007
5'7"	Shortboard	20"	2 5/16"	Very low volume blank	2005
5'11"	Shortboard	22"	3"	Multi use with extra width and thickness	2012
6'0"	Shortboard	20 3/16"	2 1/2"	Low volume blank	1997
6'3"	Shortboard	22 1/2"	3 1/16"	Multi use with extra width and thickness	2012
6'4"	Shortboard	22 1/2"	2 3/4"	Multi use with extra width and thickness	2019
6'7"	Shortboard	20 5/8"	2 3/4"	Low volume blank	1994
6'9"	Shortboard	23"	3 1/4"	Multi use with extra width and thickness	2012
7'1"	Semi Gun	22 3/4"	3 9/16"	Low volume blank	2021
7'10"	Semi Gun	23 1/4"	3 5/8"	Med volume blank	2021
8'9"	Gun	24"	3 5/8"	Med volume blank	2020
7'0"	Longboard	22 5/8"	3"	Med volume mini mal	1994
7'3"	Longboard	23 1/4"	3 7/16"	Multi use with extra width and thickness	2012
7'5"	Longboard	23 3/16"	3 1/16"	Med volume mini mal	1993
7'8"	Longboard	23 3/8"	3 1/4"	Med volume mini mal	1995
8'3"	Longboard	24 1/2"	3 9/16"	Multi use with extra width and thickness	2012
8'7"	Longboard	24 5/8"	3 1/4"	Med volume mini mal	2005
9'2"	Longboard	24 1/2"	3 3/8"	Med vol general purpose	2003
9'6"	Longboard	25"	3 7/16"	Med vol general purpose	2001
9'7"	Gun	24"	4"	High volume blank	2018
9'8"	Longboard	24 9/16"	3 5/8"	Med volume blank	1999
9'10"	Longboard	25	3 9/16"	Med / High volume blank	2023
10'4"	Longboard	25 1/2"	3 3/4"	High volume blank	1993
10'7"	Mega Gun	24"	4 11/16"	High volume blank	2016

Surfblanks Foam Density Chart

Colours are used to designate foam blank densities (weights).

There is approximately 8% weight difference between colours. Pink is the lightest and Gold is the heaviest. Cell creeps up marginally on Pink.

Shaping less off the deck is still highly desirable for max strength.

Surfblanks recommends a minimum glass job of two deck layers and one bottom layer on any density.

Single layer decks halve the life of a board. With other brand foams, that are heavy and soft, single layer decks are a desperation method of achieving light weight.

Just by dropping a density and glassing with integrity, amazing finished weights can be achievable, with board life doubled.

Surfblanks Pink (6' SB) glassed carefully with 2 x 4oz deck and 1 x 4oz bottom will finish at sub 5 lbs.

Colour	lb cu ft	Use
Pink	1.83	A high float foam that replaces EPS.
Yellow	1.98	Team rider with structural integrity.
Green	2.13	Ideal hard core surfer foam at any length.
Blue	2.31	The general purpose density for all shapes.
Red	2.49	Bullet proof longboard foam.
Orange	2.69	Low float retro longboard foam.
Purple	2.90	1960's longboard foam.
Gold	3.14	Tow board foam.

Stringers

The bigger the blank, the thicker the stringer.

Typically blanks up to 7'3" use a 4mm stringer, blanks to 8'3" use a 4.5mm stringer and blanks to 10'4" use a 6mm stringer

Surfblanks Australia offers a wide range of stringers. The reason for this is to allow each manufacturer to make their finished product look different to their competitors. Taking this a step further, a manufacturer may choose to offer a wide range of stringer types to satisfy their individual customer needs (ie, singles, doubles and triples). A handshaped surfboard made with an impressive stringer or two under a good glass job will outshine a moulded 'popout' in any cosmetic contest.

Stringer choices by price list 'foam blanks'. Approximately ten stringer choices appear on the price list for shortboards and approximately twenty appear for longboards. These choices are based on most ordered stringers and are included with the blank cost.

Stringer choices by price list 'stringer options'. Many more stringers appear on the price list as options that can be added to a plain blank. 'Single stringer glued beside another', 'Single stringer glued in a plain blank', or 'Two stringers glued any distance from centre'. To determine the cost first take the 'plain blank' price from 'foam blanks', then add the stringer option. As the chosen blank size gets larger, so should the stringer thickness, if it is the centre and only stringer.

Rockers

M08 is offered as the most popular in any sized blank. However rocker increase or decrease is readily available.

Surfblanks rocker chart lists large numbers of rockers for every blank. The printed chart is available on request or check the website.

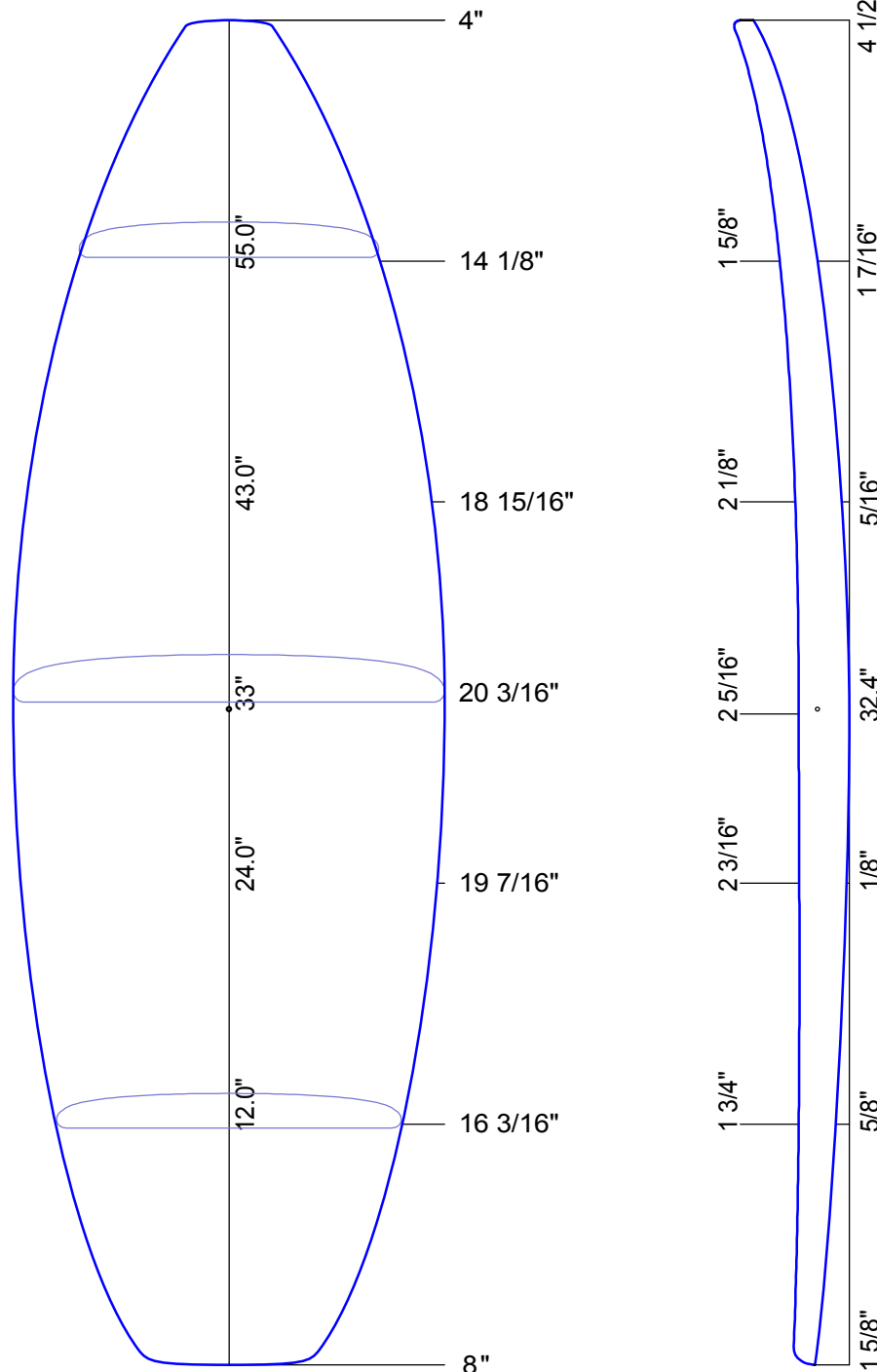
Surfblanks Australia

5'7"SB

13 West Street, Brookvale, NSW, 2100, Australia

Ph 61 2 9938 3300 - Fx 61 2 9905 4650 - email sales@surfblanksaustralia.com

www.surfblanksaustralia.com



Blank: 5'7" Shortboard

New: October, 2005

Max length: 5'7 1/2"

Max width: 20 3/16"

Max thickness: 2 5/16"

Volume: 20.93 liters

Shipping: Sea container

Row: 39

Stack: 181

20' box: 626

40' box: 1269

40 HC: 1432

Above are optimistic loads.

Densities: Pink, Yellow, Green, Blue, Red, Orange (1966), Purple, Gold (tow), Silver (skim) - 8% weight reduction between colours.

Experience notes: Natural (moulded) rocker is shown. M08 is the most popular rocker in all sizes since 2008. Deck is slightly rolled with flat bottom. This is a low volume blank for kids' shortboards. Deep cutting may require heavier densities like Red or Orange Foam.



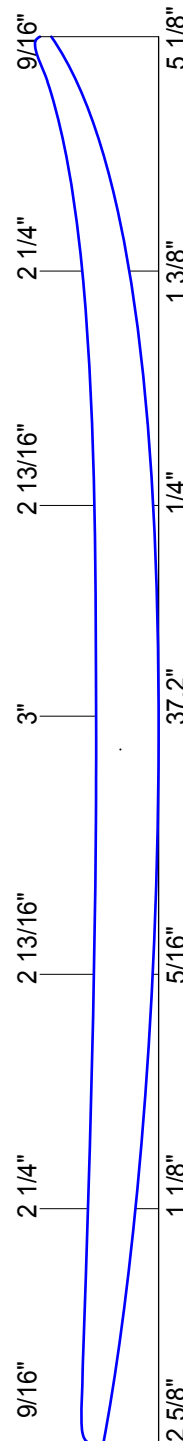
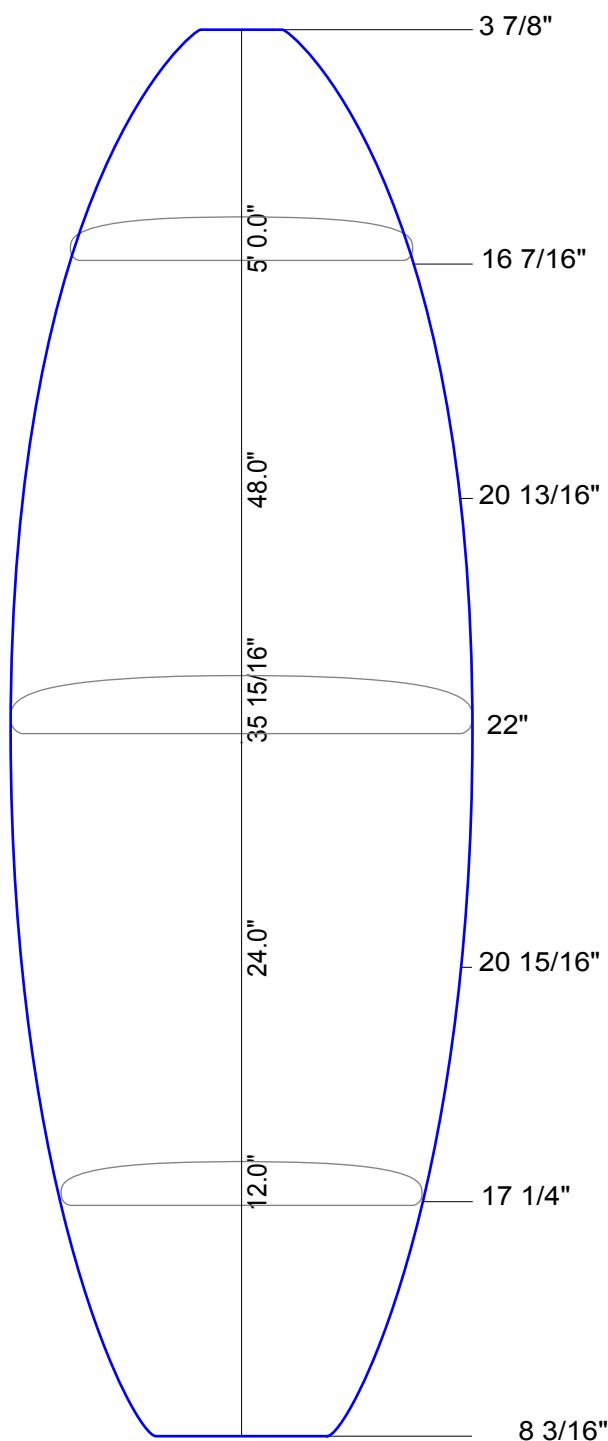
Surfblanks Australia

5'11"SB

13 West Street, Brookvale, NSW, 2100, Australia

Ph 61 2 9938 3300 - Fx 61 2 9905 4650 - email sales@surfblanksaustralia.com

www.surfblanksaustralia.com



Blank: 5'11" Shortboard

New: August, 2012

Max Length: 6'0"

Max width: 22"

Max thickness: 3"

Volume: 47.31 liters

Shipping: Sea container

Row: 30

Stack: 127

20' box: 412

40' box: 835

40 HC: 1005

Above are optimistic loads.

Densities: Pink, Yellow, Green, Blue, Red, Orange (1966), Purple, Gold (tow), Silver (skim) - 8% weight reduction between colours.

Experience notes: Natural (moulded) rocker is shown. M08 is the most popular rocker in all sizes since 2008. A half inch thicker and two inches wider to accommodate 2012 skating shapes. Deep cutting may require heavier densities like Red or Orange Foam.



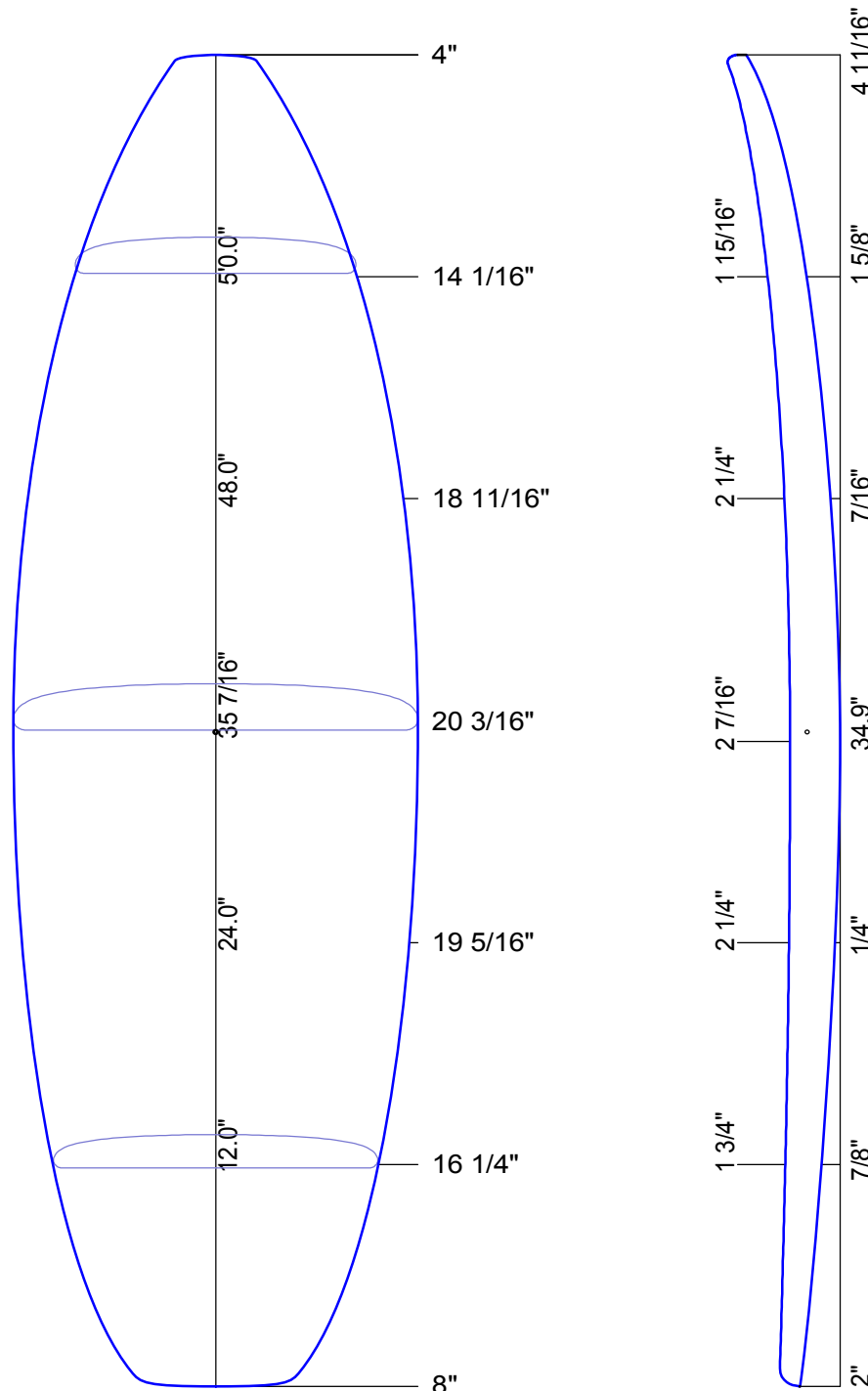
Surfblanks Australia

6'0"SB

13 West Street, Brookvale, NSW, 2100, Australia

Ph 61 2 9938 3300 - Fx 61 2 9905 4650 - email sales@surfblanksaustralia.com

www.surfblanksaustralia.com



Blank: 6'0" Shortboard

New: December, 1997

Max length: 6'5/8"

Max width: 20 3/16"

Max thickness: 2 7/16"

Volume: 33.57 liters

Shipping: Sea container

Row: 37

Stack 171

20' box: 551

40' box: 1171

40 HC: 1357

Above are optimistic loads.

Densities: Pink, Yellow, Green, Blue, Red, Orange (1960's), Purple, Gold (tow), Silver (skim) - 8% weight reduction between colours.

Experience notes: Natural (moulded) rocker is shown. M08 is the most popular rocker in all sizes since 2008. This is a low volume blank with a slightly rolled deck and flat bottom.

Deep cutting may require heavier densities like Red or Orange Foam.



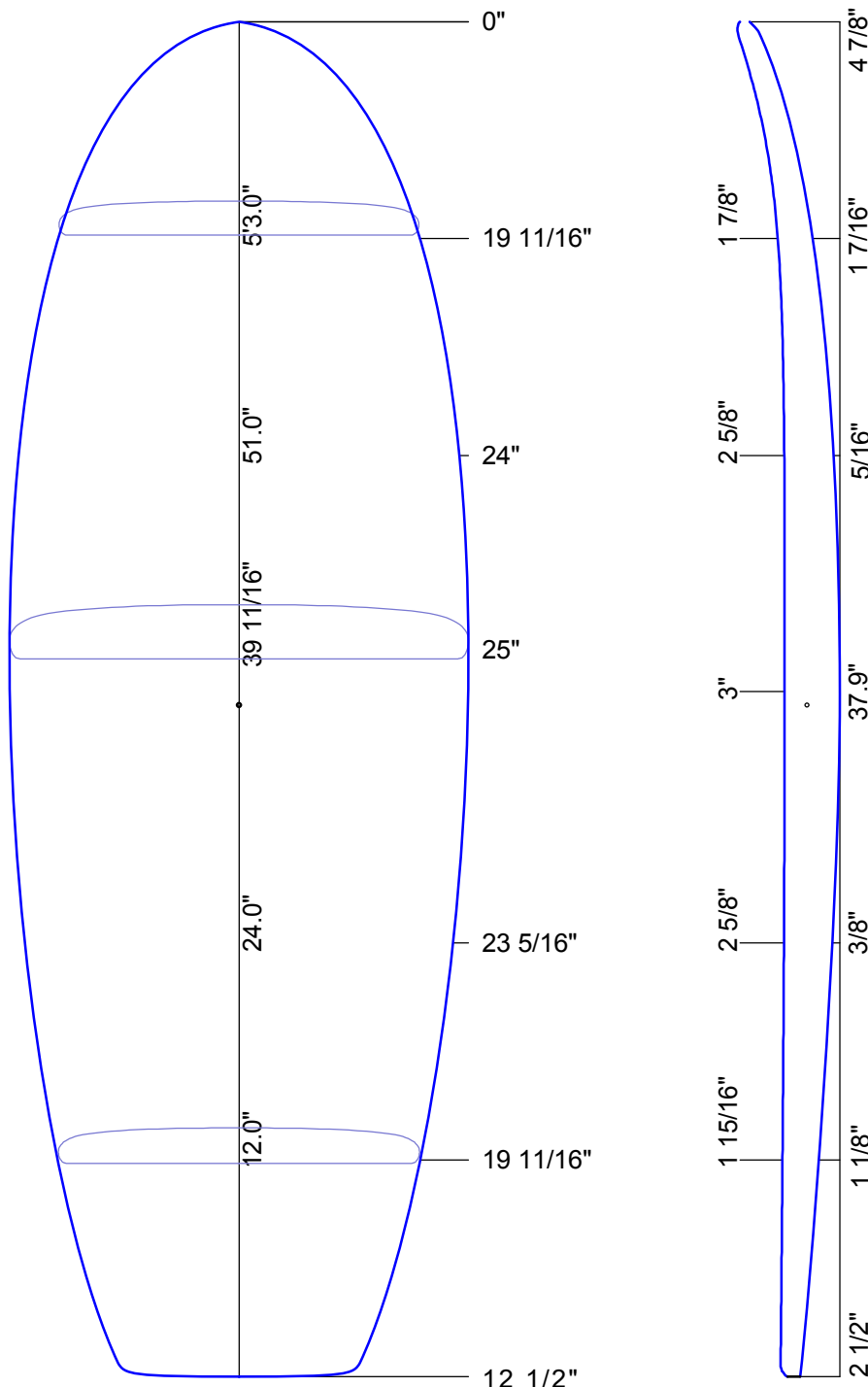
Surfblanks Australia

6'2"KF

13 West Street, Brookvale, NSW, 2100, Australia

Ph 61 2 9938 3300 - Fx 61 2 9905 4650 - email sales@surfblanksaustralia.com

www.surfblanksaustralia.com



Blank: 6'2"Kneeboard Fish

New: November, 2001

Max length: 6'3 3/4"

Max width: 25"

Max thickness: 3"

Volume: 56.08 liters

Shipping: Sea container

Row: 30

Stack 112

20' box: 345

40' box: 698

40 HC: 885

Above are optimistic loads

Densities: Pink, Yellow, Green, Blue, Red, Orange (1966), Purple, Gold (tow), Silver (skim) - 8% weight reduction between colours.

Experience notes: First of the very versatile Fish range. Fish 08

Rocker is the most popular with more nose and less tail lift.

A surfboard rocker will make this a hybrid fish, The deck is slightly rolled with a flat bottom. Best in Red or Orange Foam for deeper cutting.



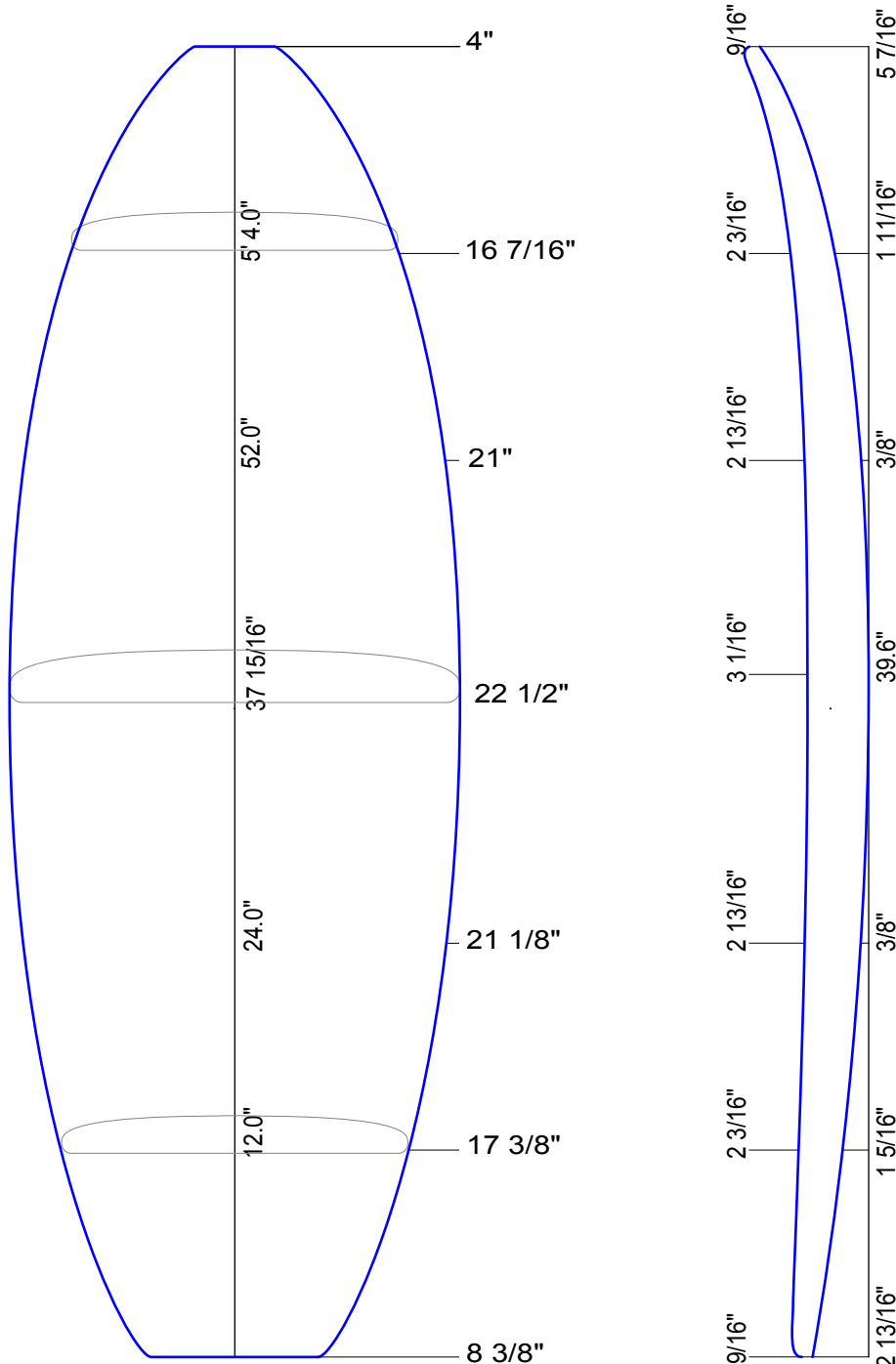
Surfblanks Australia

6'3"SB

13 West Street, Brookvale, NSW, 2100, Australia

Ph 61 2 9938 3300 - Fx 61 2 9905 4650 - email sales@surfblanksaustralia.com

www.surfblanksaustralia.com



Blank: 6'3" Shortboard

New: October, 2012

Max length: 6'4"

Max width: 22 1/2"

Max thickness: 3 1/16"

Volume: 51.81 liters

Shipping: Sea container

Row: 29

Stack: 121

20' box: 374

40' box: 757

40 HC: 962

Above are optimistic loads

Densities: Pink, Yellow, Green, Blue, Red, Orange (1966), Purple, Gold (tow), Silver (skim) - 8% weight reduction between colours.

Experience notes: Natural (moulded) rocker is shown. M08 is the most popular rocker in all sizes since 2008. A half inch thicker and two inches wider to accommodate skating shapes and larger riders. Deep cutting may require heavier densities like Red or Orange Foam.



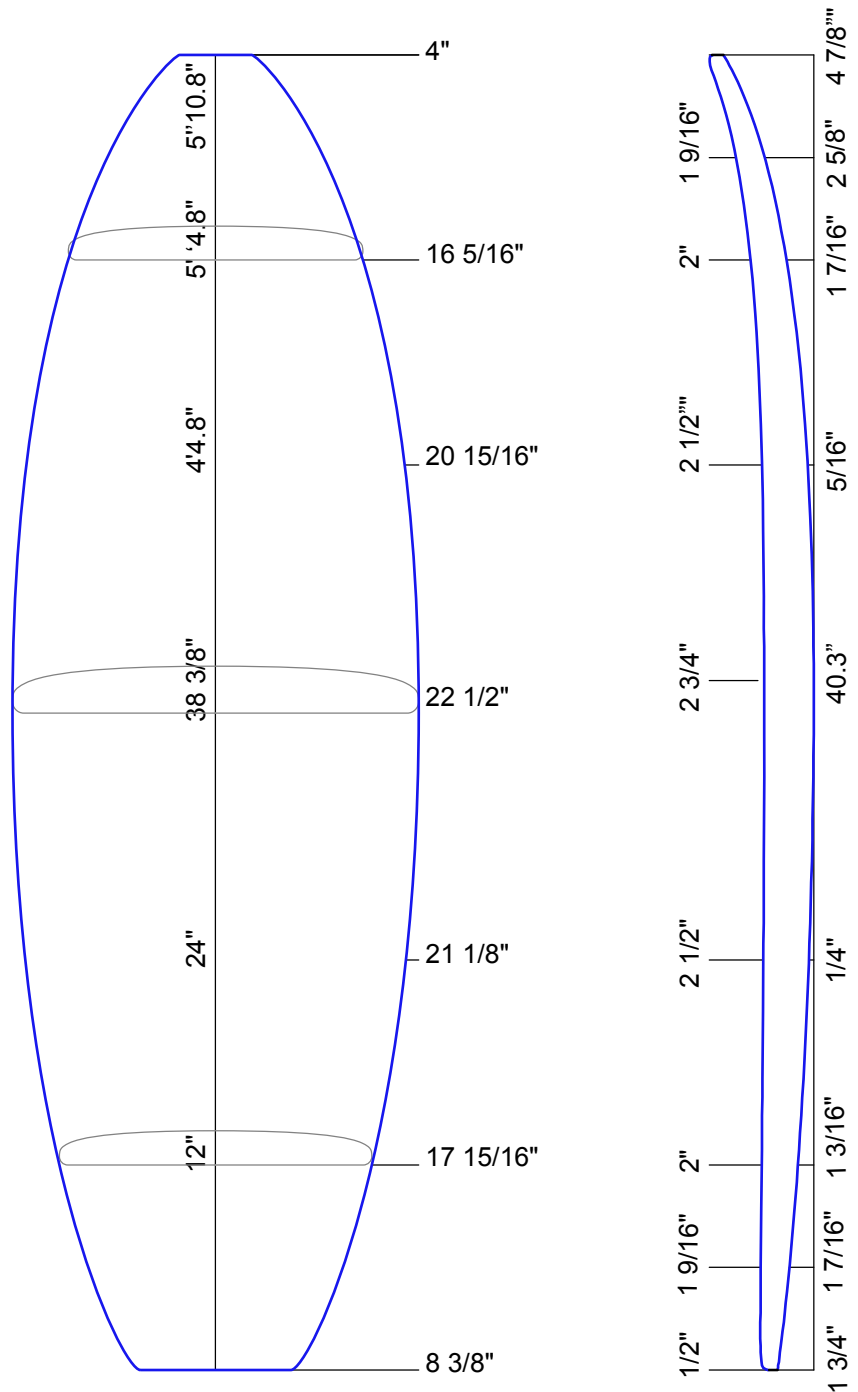
Surfblanks Australia

6'4"SB

13 West Street, Brookvale, NSW, 2100, Australia

Ph 61 2 9938 330000 - Fx 61 2 9905 4650 - email sales@surfblanksaustralia.com

www.surfblanksaustralia.com



Blank: 6'4" Shortboard

New: April 2019

Max length: 6'4"

Max width: 22.5"

Max thickness: 2 3/4"

Volume: 51.6 liters

Shipping: Sea container

Row: 34

Stack: 156

20' box: 482

40' box: 976

40 HC: 1235

Densities: Pink, Yellow, Green, Blue, Red, Orange (1966), Purple, Gold (tow), Silver (skim) - 8% weight reduction between colours.

Experience notes: Natural (moulded) rocker is shown. M08 is the most popular rocker in all sizes since 2008.

Deep cutting may require heavier densities like Red or Orange Foam.



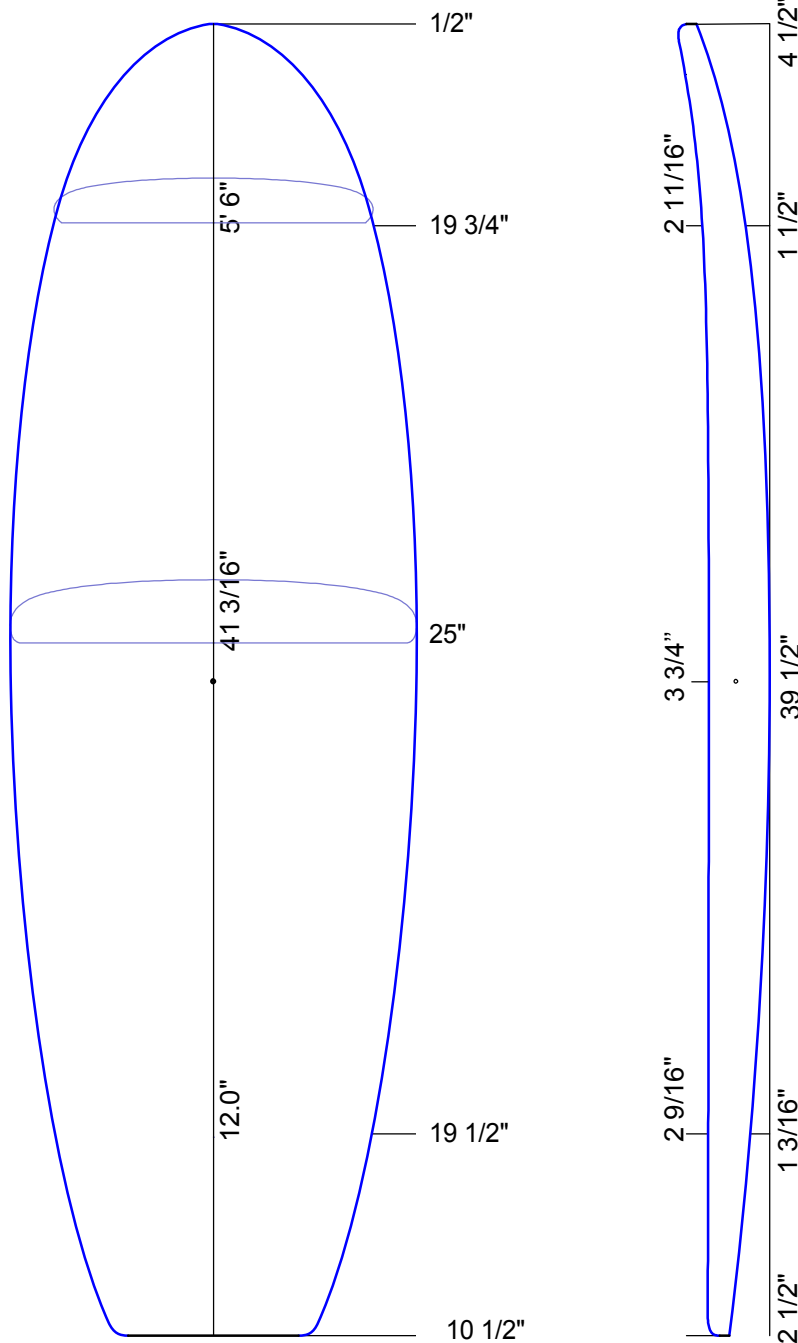
Surfblanks Australia

6'5"FF

13 West Street, Brookvale, NSW, 2100, Australia

Ph 61 2 9938 3300 - Fx 61 2 9905 4650 - email sales@surfblanksaustralia.com

www.surfblanksaustralia.com



Blank: 6'5" Fat Fish

New: March, 2010

Max length: 6'6"

Max width: 25"

Max thickness: 3 3/4"

Volume: 73.11 liters

Shipping: Sea container

Row: 24

Stack: 89

20' box: 266

40' box: 538

40 HC: 702

Above are optimistic loads

Densities: Pink, Yellow, Green, Blue, Red, Orange (1966), Purple, Gold (tow), Silver (skim) - 8% weight reduction between colours.

Experience notes: A new fish blank with more thickness (4") than anything else. This Fat Fish is designed to accommodate really deep concaves and very high volume, short, floaty designs.

Fish 08 is the most popular rocker. Deep cutting requires heavier densities like Red and Orange Foams.



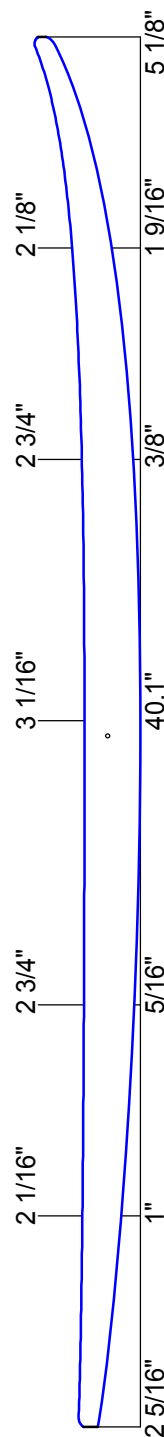
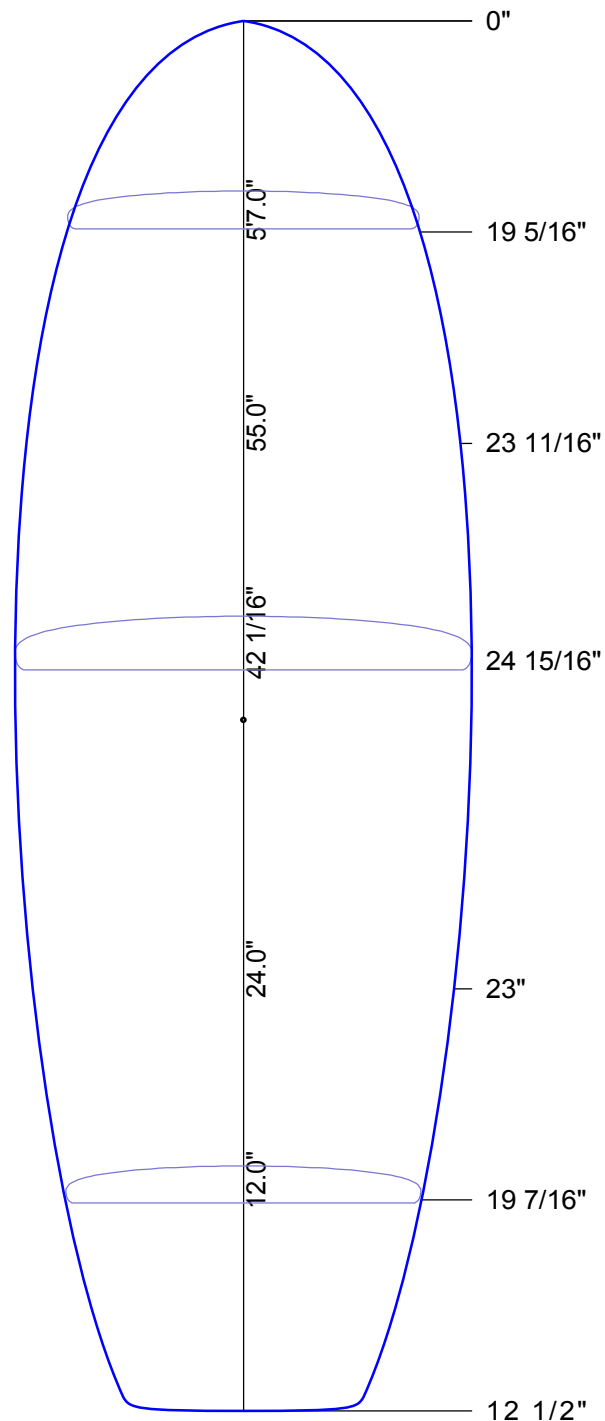
Surfblanks Australia

6'6"KF

13 West Street, Brookvale, NSW, 2100, Australia

Ph 61 2 9938 3300 - Fx 61 2 9905 4650 - email sales@surfblanksaustralia.com

www.surfblanksaustralia.com



Blank: 6'6"Kneeboard Fish

New: January, 1999

Max length: 6'7 7/8"

Max width: 25"

Max thickness: 2 1/16"

Volume: 62.56 liters

Shipping: Sea container

Row: 29

Stack 110

20' box: 321

40' box: 650

40 HC: 868

Above are optimistic loads.

Densities: Pink, Yellow, Green, Blue, Red, Orange (1966), Purple, Gold (tow), Silver (skim) - 8% weight reduction between colours.

Experience notes: This is a the 62KF scaled up. Fish 08 rocker is most popular with more nose and less tail lift. Surfboard rockers will make this a hybrid fish.

The deck is slightly rolled with a flat bottom. Best in Red or Orange Foam for deeper cutting.



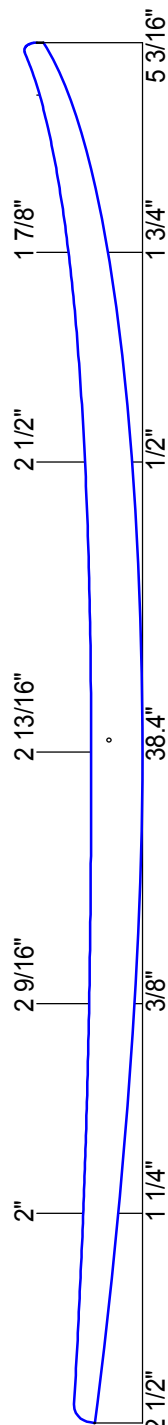
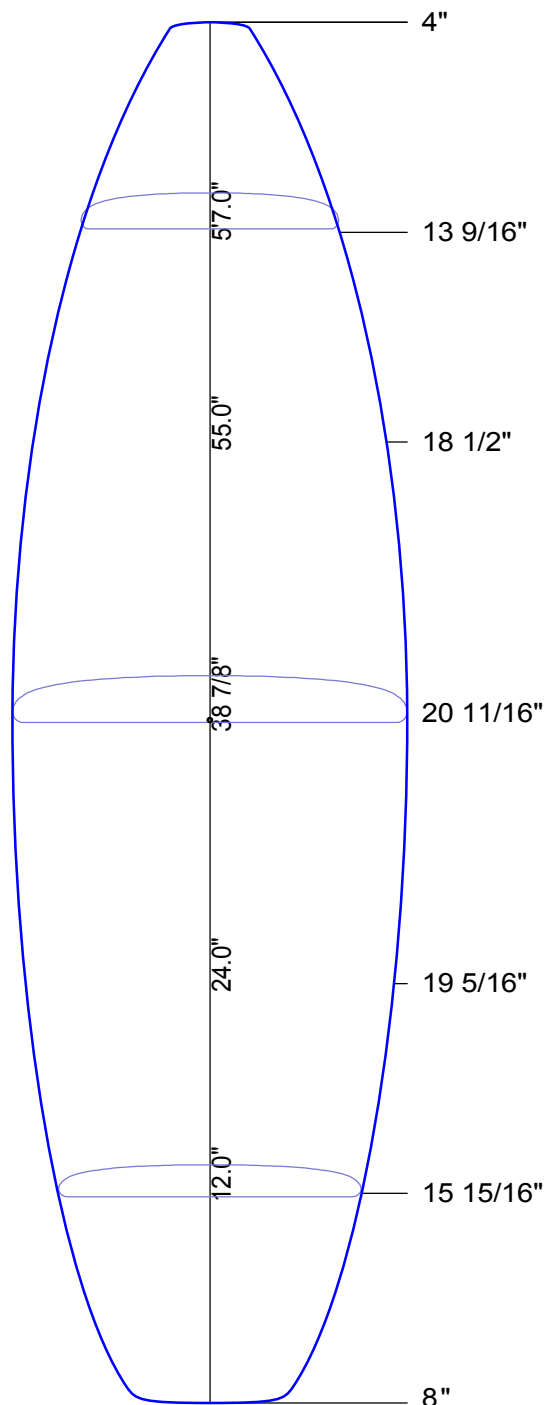
Surfblanks Australia

6'7"SB

13 West Street, Brookvale, NSW, 2100, Australia

Ph 61 2 9938 3300 - Fx 61 2 9905 4650 - email sales@surfblanksaustralia.com

www.surfblanksaustralia.com



Blank: 6'7" Shortboard

New: June, 1994

Max length: 6'8"

Max width: 20 3/4"

Max thickness: 2 13/16"

Volume: 40.89 liters

Shipping: Sea container

Row: 32

Stack 144

20' box: 422

40' box: 854

40 HC: 1143

Above are optimistic loads.

Densities: Pink, Yellow, Green, Blue, Red, Orange (1966), Purple, Gold (tow), Silver (skim) - 8% weight reduction between colours.

Experience notes: Natural (moulded) rocker is shown. M08 is the most popular rocker in all sizes since 2008. Slight rolled deck with a flat bottom.

Deep cutting may require heavier densities like Red or Orange Foam.



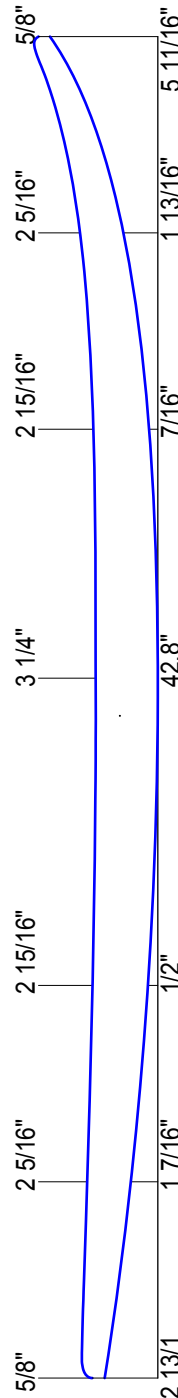
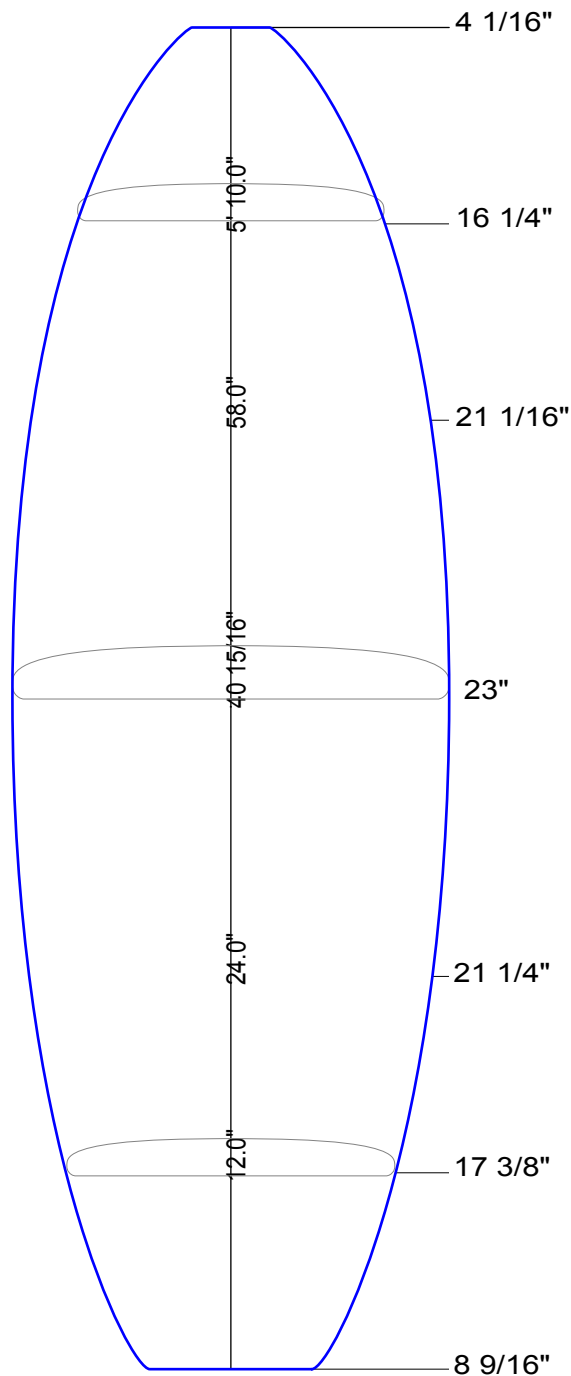
Surfblanks Australia

6'9"SB

13 West Street, Brookvale, NSW, 2100, Australia

Ph 61 2 9938 3300 - Fx 61 2 9905 4650 - email sales@surfblanksaustralia.com

www.surfblanksaustralia.com



Blank: 6'9" Shortboard

New: October, 2012

Max length: 6'10"

Max width: 23"

Max thickness: 3 1/4"

Volume: 61.01 liters

Shipping: Sea container

Row: 29

Stack: 119

20' box: 339

40' box: 686

40 HC: 941

Above are optimistic loads.

Densities: Pink, Yellow, Green, Blue, Red, Orange (1966), Purple, Gold (tow), Silver (skim) - 8% weight reduction between colours.

Experience notes: Natural (moulded) rocker is shown. M08 is the most popular rocker in all sizes since 2008. One half inch thicker and two inches wider than usual to accommodate skating shapes and larger surfers. A very versatile blank for small waves.

Deep cutting may require heavier densities like Red or Orange Foam.



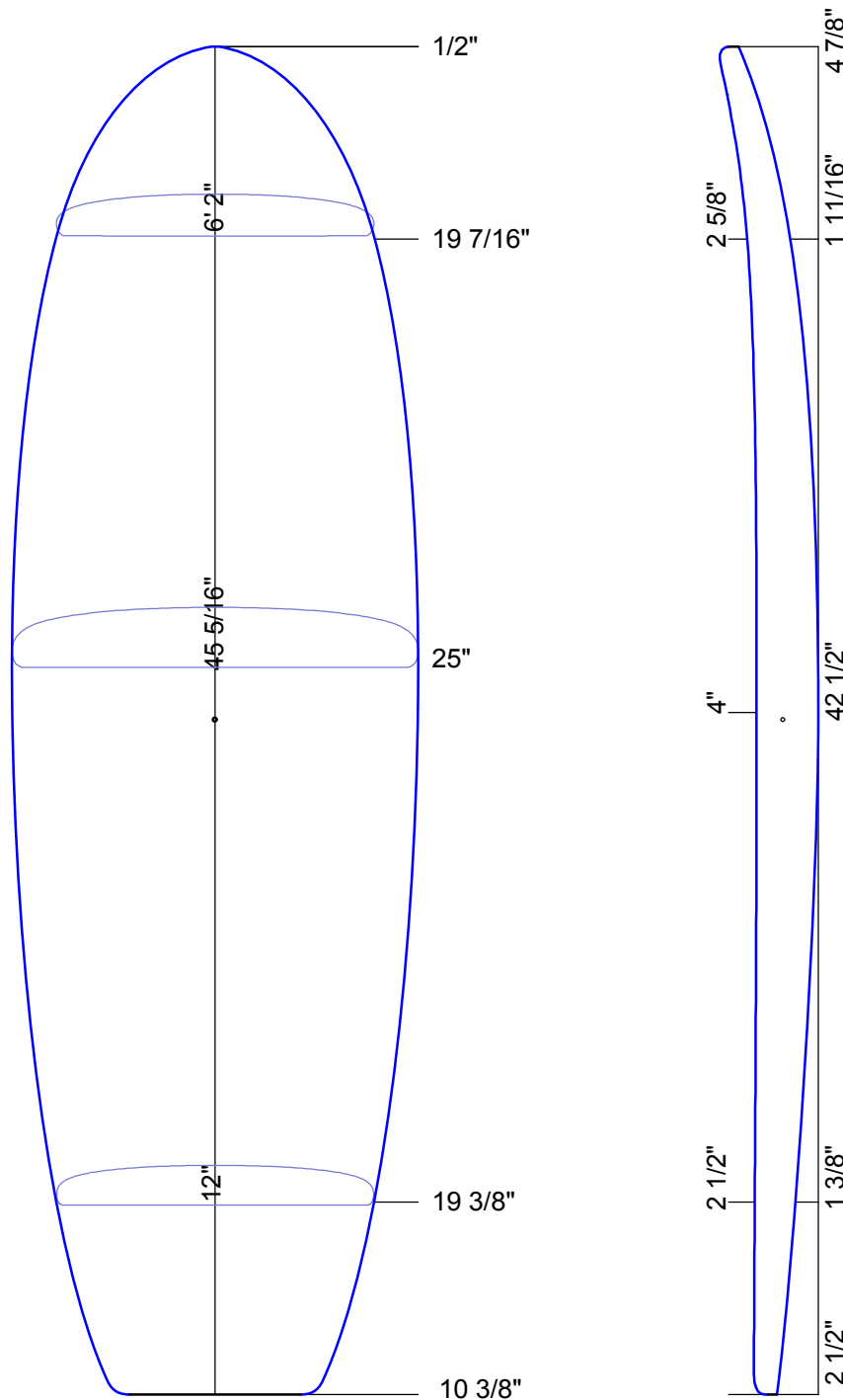
Surfblanks Australia

6'11"FF

13 West Street, Brookvale, NSW, 2100, Australia

Ph 61 2 9938 3300 - Fx 61 2 9905 4650 - email sales@surfblanksaustralia.com

www.surfblanksaustralia.com



Blank: 6'11" Fat Fish

New: March, 2010

Max length: 7'

Max width: 25"

Max thickness: 4"

Volume: 78.21 liters

Shipping: Sea container

Row: 22

Stack: 83

20' box: 231

40' box: 467

40 HC: 656

Above are optimistic loads.

Densities: Pink, Yellow, Green, Blue, Red, Orange (1966), Purple, Gold (tow), Silver (skim) - 8% weight reduction between colours.

Experience notes: A new fish blank with more thickness (4") than anything else. This Fat Fish is designed to accommodate really deep concaves and very high volume, short, floaty designs. Fish 08 is the most popular rocker.

Deep cutting requires heavier densities like Red and Orange Foams.



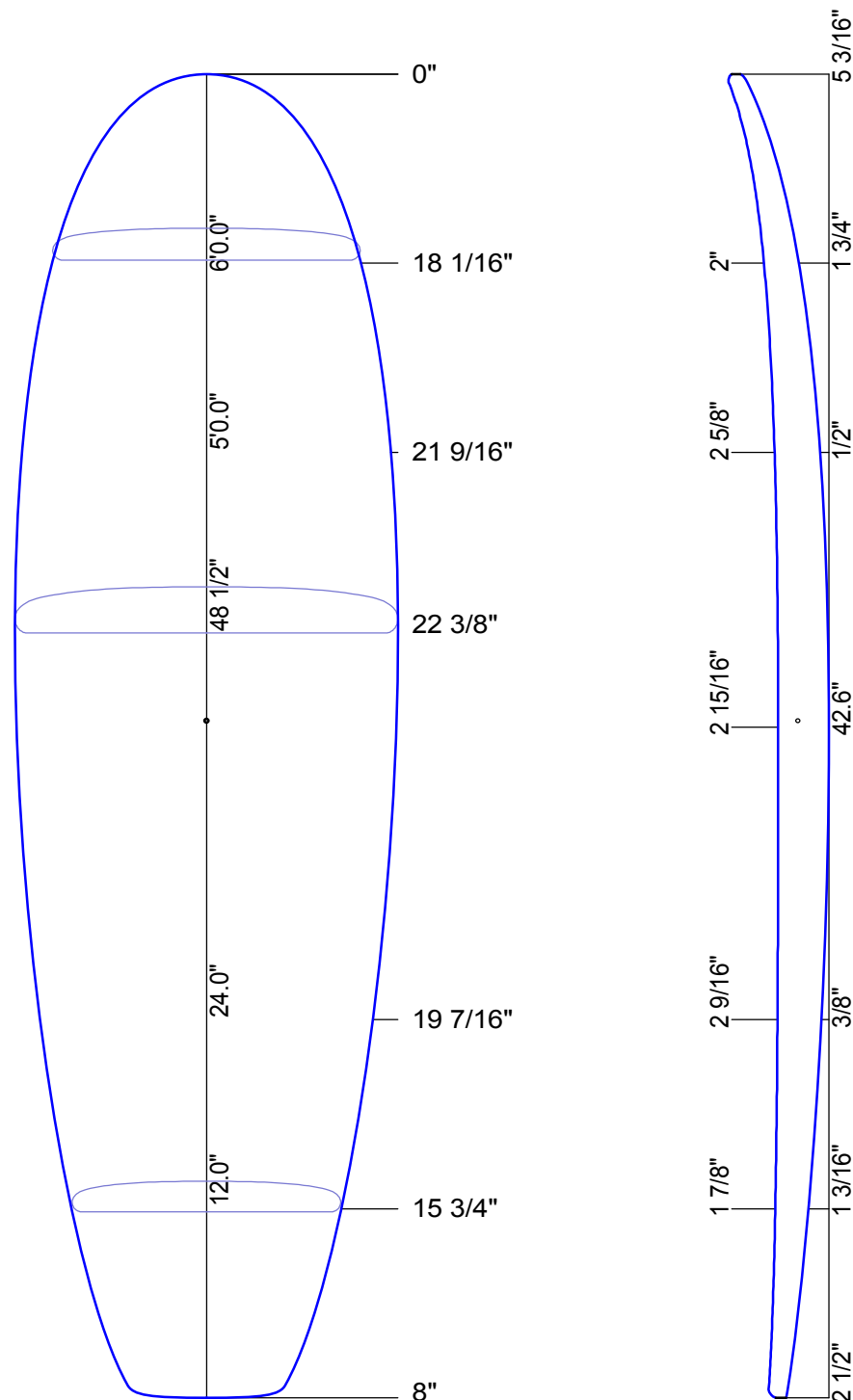
Surfblanks Australia

7'0"LB

13 West Street, Brookvale, NSW, 2100, Australia

Ph 61 2 9938 3300 - Fx 61 2 9905 4650 - email sales@surfblanksaustralia.com

www.surfblanksaustralia.com



Blank: 7'0" Longboard

New: July, 1994

Max length: 7'0 3/4"

Max width: 22 5/8"

Max thickness: 3"

Volume: 55.32 liters

Shipping: Sea container

Row: 301

Stack 127

20' box: 352

40' box: 713

40 HC: 1010

Above are optimistic loads.

Densities: Pink, Yellow, Green, Blue, Red, Orange (1966), Purple, Gold (tow), Silver (skim) - 8% weight reduction between colours.

Experience notes: Natural (moulded) rocker is shown. M08 is the most popular rocker in all sizes since 2008. General purpose mini for low volume shapes.

Deep cutting may require heavier densities like Red or Orange Foam.



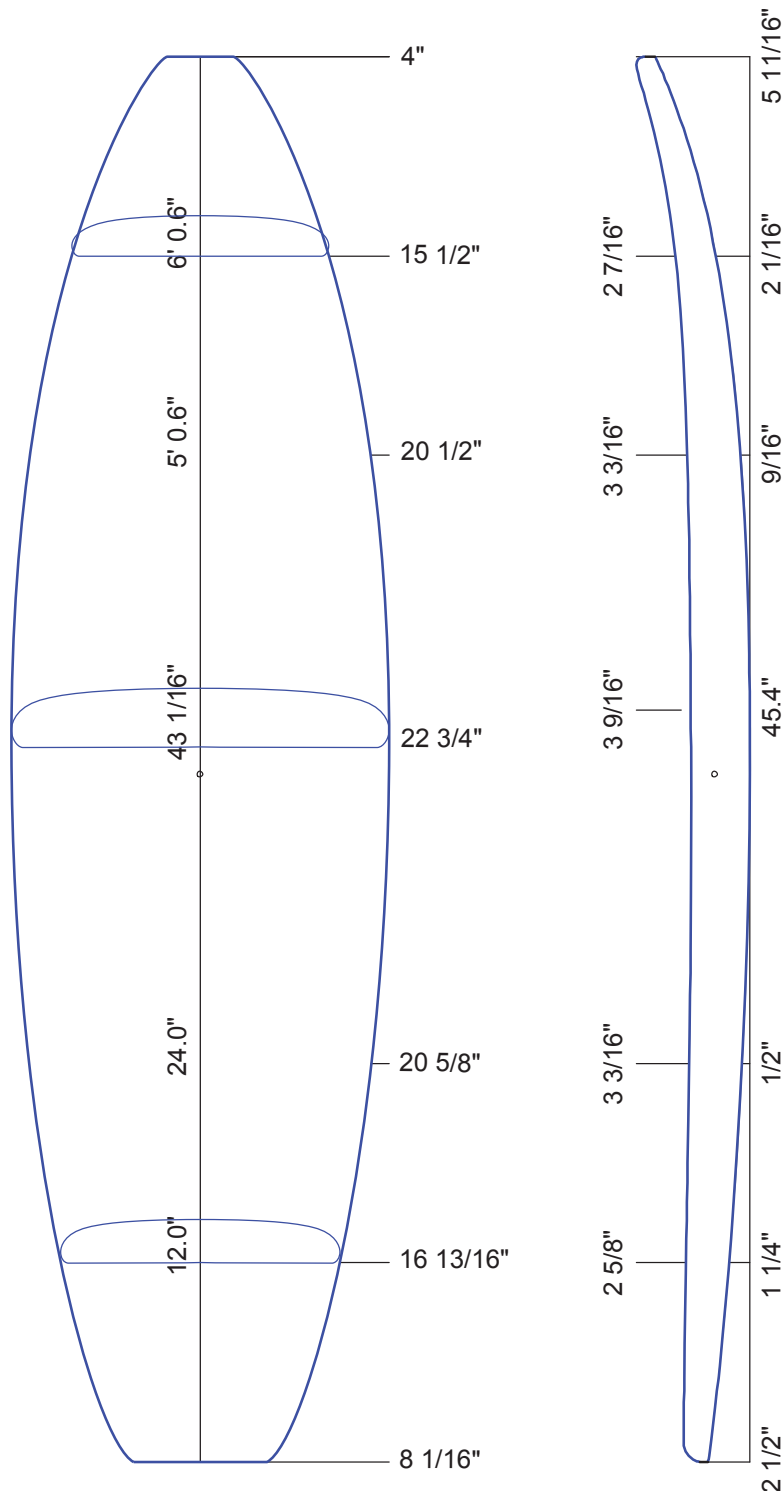
Surfblanks Australia

7'1" GB

13 West Street, Brookvale, NSW, 2100, Australia

Ph 61 2 9938 330000 - Fx 61 2 9905 4650 - email sales@surfblanksaustralia.com

www.surfblanksaustralia.com



Blank: 7'1" Gun

New: July 2021

Max length: 7'0"

Max width: 22 3/4"

Max thickness: 3 9/16"

Volume: 68.92 liters

Shipping: Sea container

Row: 28

Stack: 124

20' box: 292

40' box: 591

40 HC: 981

Densities: Pink, Yellow, Green, Blue, Red, Orange (1966), Purple, Gold (tow), Silver (skim) - 8% weight reduction between colours.

Experience notes: Natural (moulded) rocker is shown. M08 is the most popular rocker in all sizes since 2008.

Deep cutting may require heavier densities like Red or Orange Foam.



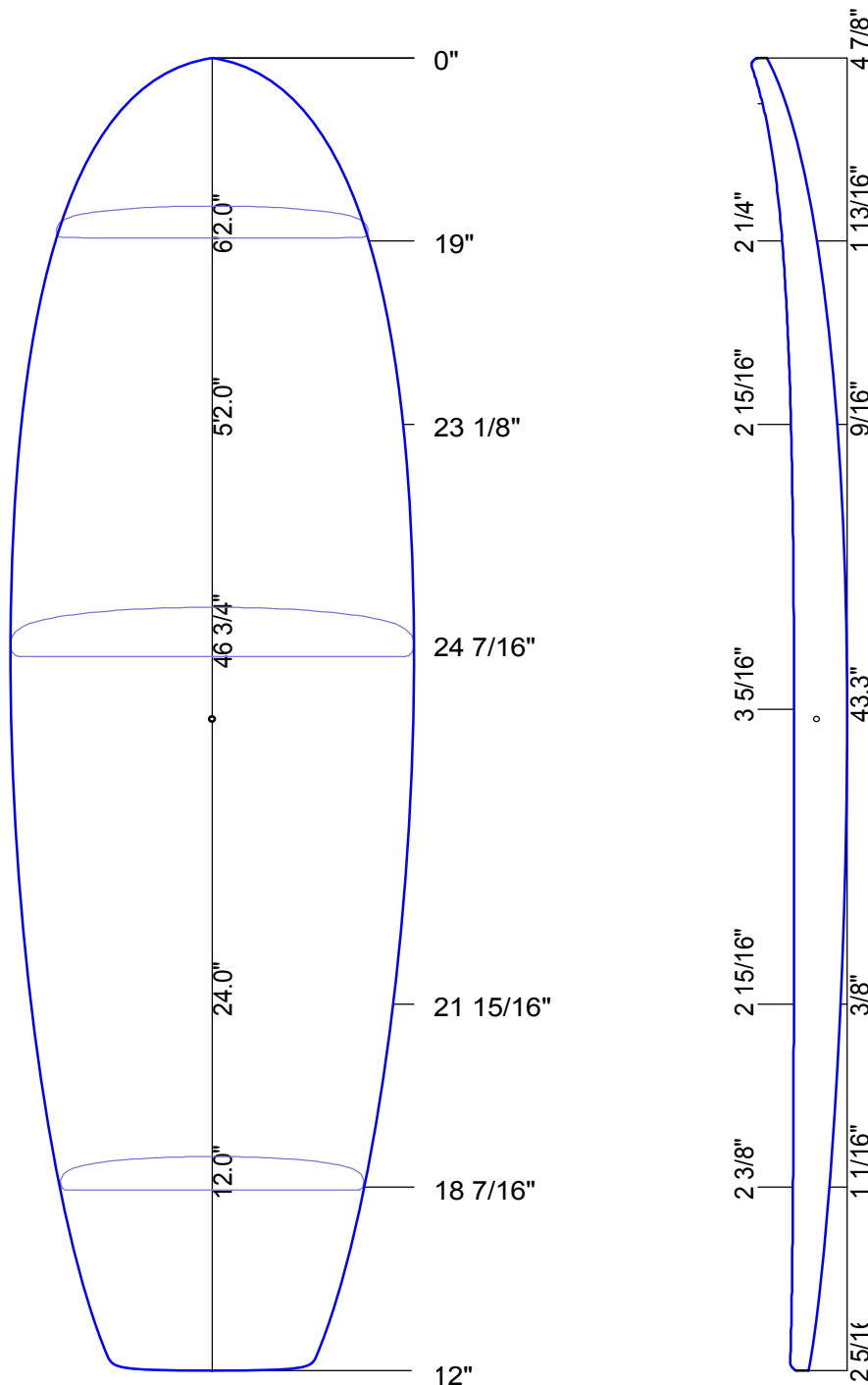
Surfblanks Australia

7'2"FF

13 West Street, Brookvale, NSW, 2100, Australia

Ph 61 2 9938 3300 - Fx 61 2 9905 4650 - email sales@surfblanksaustralia.com

www.surfblanksaustralia.com



Blank: 7'2" Funboard Fish

New: August, 2007

Max length: 7'2 5/8"

Max width: 24 1/2"

Max thickness: 3 5/16"

Volume: 67.22 liters

Shipping: Sea container

Row: 27

Stack 103

20' box: 278

40' box: 564

40 HC: 817

Above are optimistic loads.

Densities: Pink, Yellow, Green, Blue, Red, Orange (1966), Purple, Gold (tow), Silver (skim) - 8% weight reduction between colours.

Experience notes: Versatile for big fishes and funboards. Fish 08 is the standard popular rocker.

Add a shortboard rocker and it becomes a big boy.

Deep cutting may require heavier densities like Red or Orange Foam.



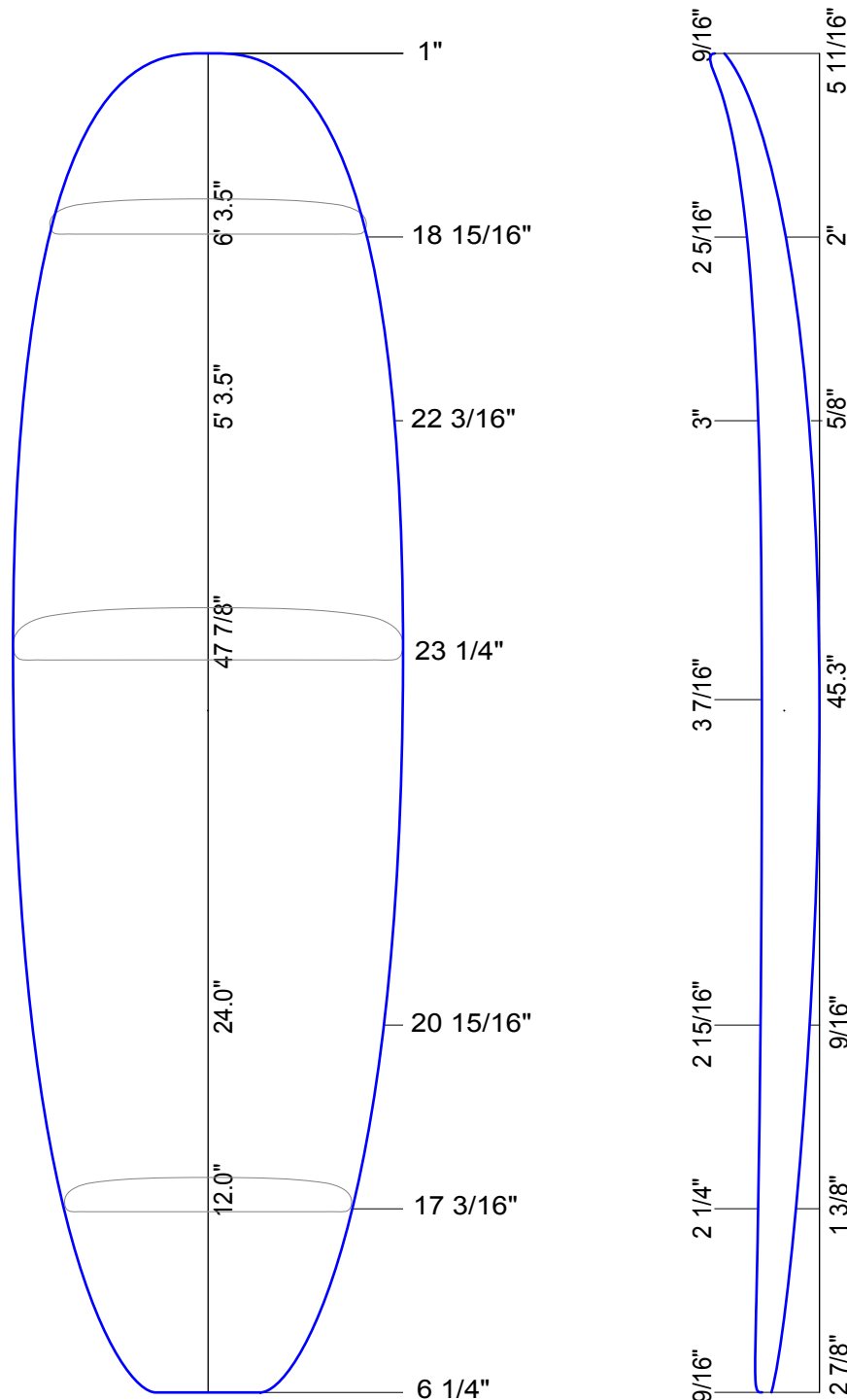
Surfblanks Australia

7'3"LB

13 West Street, Brookvale, NSW, 2100, Australia

Ph 61 2 9938 3300 - Fx 61 2 9905 4650 - email sales@surfblanksaustralia.com

www.surfblanksaustralia.com



Blank: 7'3" Longboard

New: August, 2012

Max length: 7'3 1/2"

Max width: 23 1/4"

Max thickness: 3 7/16"

Volume: 71.61 liters

Shipping: Sea container

Row: 27

Stack: 104

20' box: 279

40' box: 565

40 HC: 826

Above are optimistic loads.

Densities: Pink, Yellow, Green, Blue, Red, Orange (1966), Purple, Gold (tow), Silver (skim) - 8% weight reduction between colours.

Experience notes: Natural (moulded) rocker is shown. M08 is the most popular rocker in all sizes since 2008. A general purpose high volume mini. Change rocker and make any shape out of the extra width and thickness.

Deep cutting may require heavier densities like Red or Orange Foam.



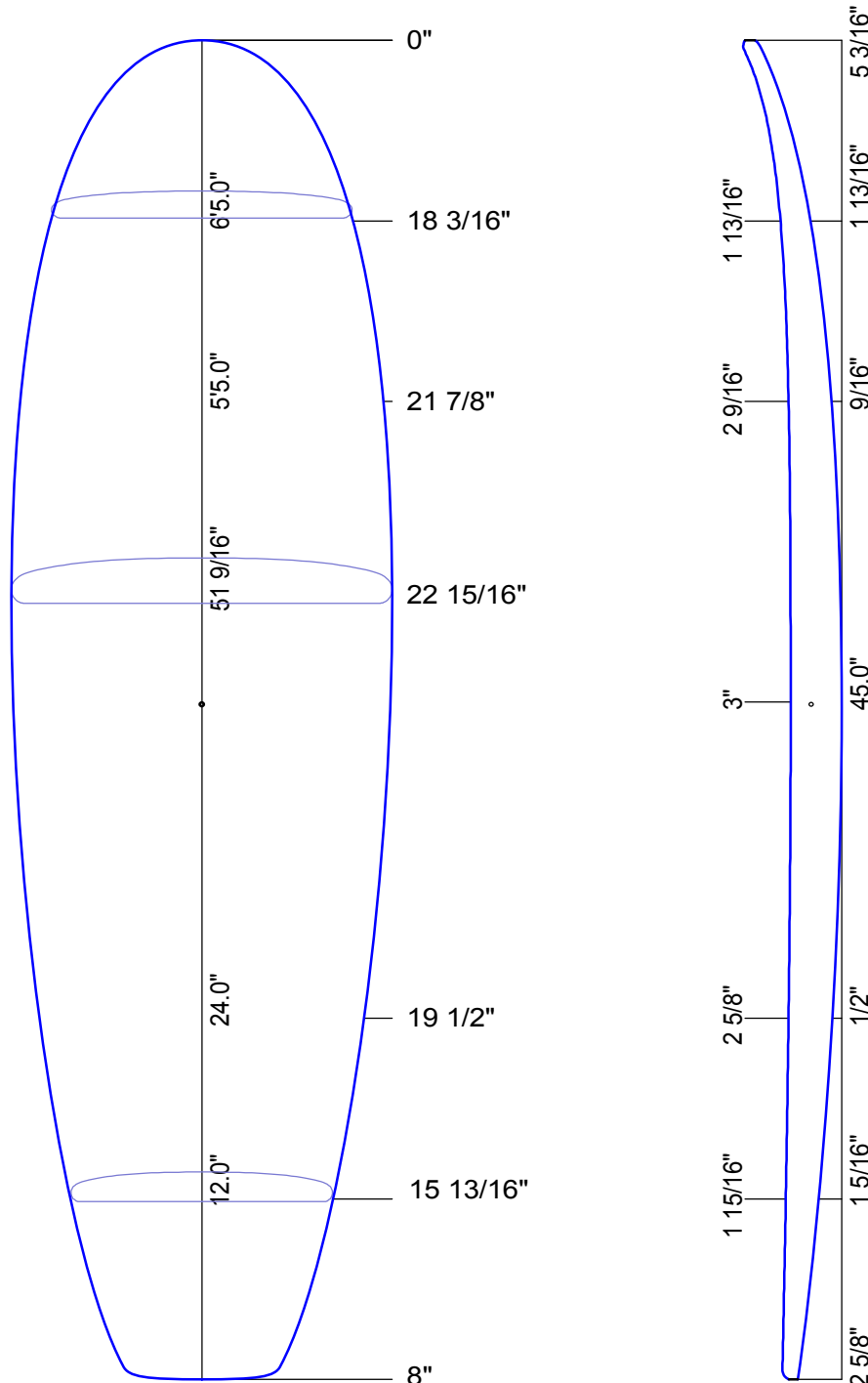
Surfblanks Australia

7'5"LB

13 West Street, Brookvale, NSW, 2100, Australia

Ph 61 2 9938 3300 - Fx 61 2 9905 4650 - email sales@surfblanksaustralia.com

www.surfblanksaustralia.com



Blank: 7'5" Longboard

New: April, 1993

Max length: 7'5 3/4"

Max width: 23 3/16"

Max thickness: 3 1/16"

Volume: 64.55 liters

Shipping: Sea container

Row: 30

Stack 122

20' box: 317

40' box: 642

40 HC: 964

Above are optimistic loads.

Densities: Pink, Yellow, Green, Blue, Red, Orange (1966), Purple, Gold (tow), Silver (skim) - 8% weight reduction between colours.

Experience notes: Natural (moulded) rocker is shown. M08 is the most popular rocker in all sizes since 2008. General purpose low volume mini. Multi function blank when glued to various profiles. Deep cutting may require heavier densities like Red or Orange Foam.



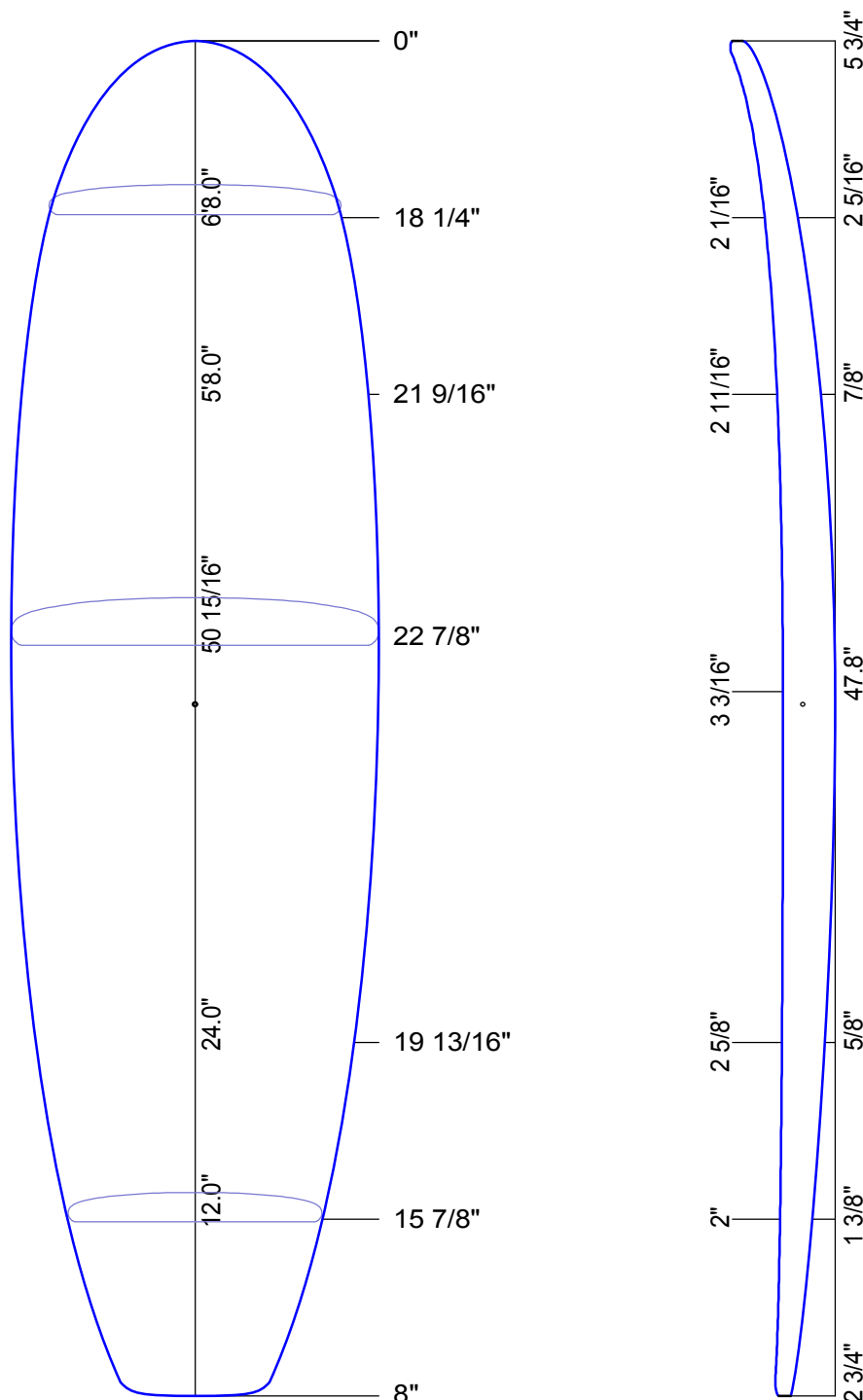
Surfblanks Australia

7'8"LB

13 West Street, Brookvale, NSW, 2100, Australia

Ph 61 2 9938 3300 - Fx 61 2 9905 4650 - email sales@surfblanksaustralia.com

www.surfblanksaustralia.com



Blank: 7'8" Longboard

New: April, 1995

Max length: 7'8 3/4"

Max width: 22 7/8"

Max thickness: 3 3/16"

Volume: 66.46 liters

Shipping: Sea container

Row: 28

Stack 115

20' box: 289

40' box: 585

40 HC: 908

Above are optimistic loads.

Densities: Pink, Yellow, Green, Blue, Red, Orange (1966), Purple, Gold (tow), Silver (skim) - 8% weight reduction between colours.

Experience notes: Natural (moulded) rocker is shown. M08 is the most popular rocker in all sizes since 2008. A medium volume mini with enough thickness to offer many options.

Deep cutting may require heavier densities like Red or Orange Foam.



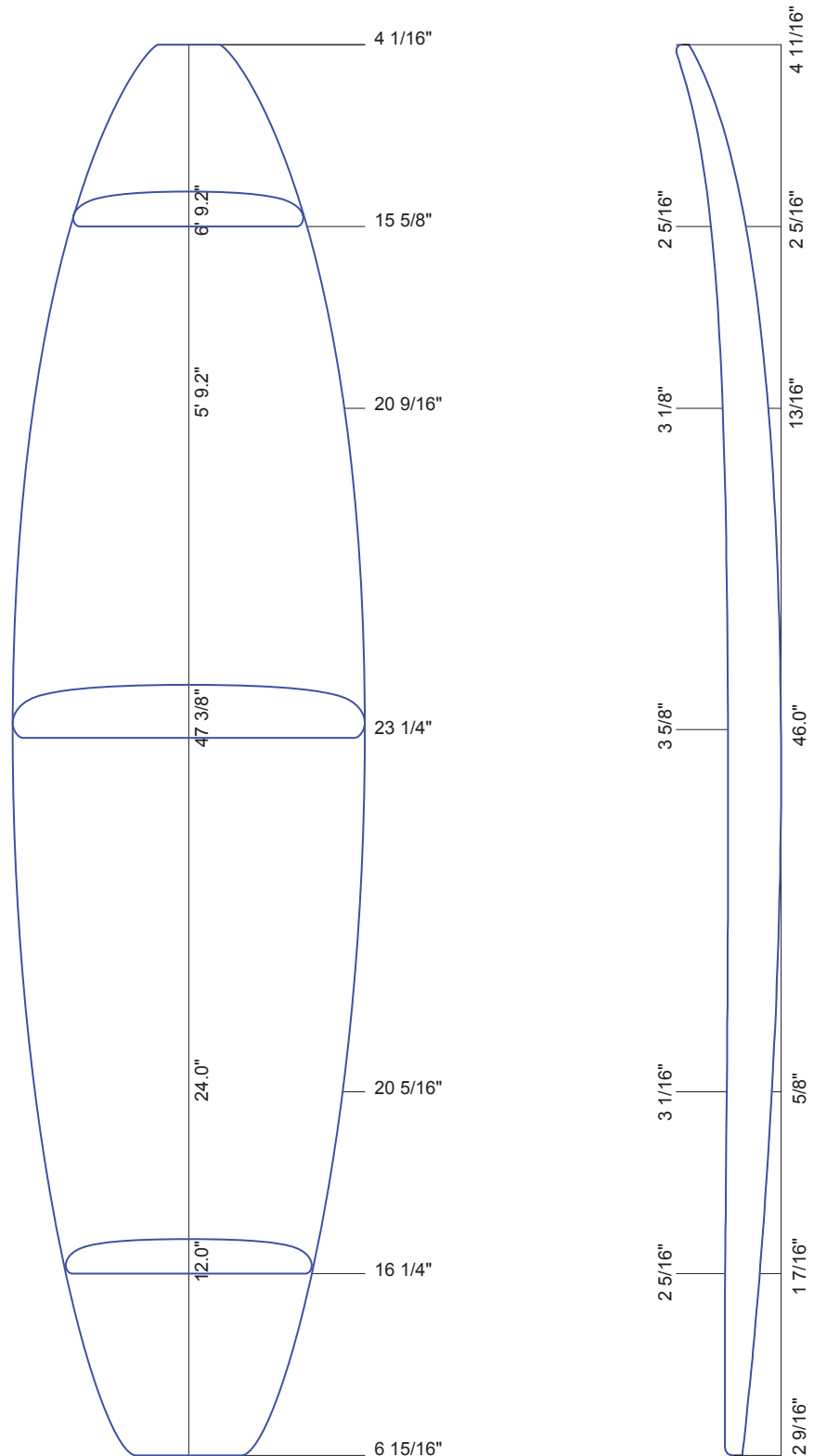
Surfblanks Australia

7'10" GB

13 West Street, Brookvale, NSW, 2100, Australia

Ph 61 2 9938 330000 - Fx 61 2 9905 4650 - email sales@surfblanksaustralia.com

www.surfblanksaustralia.com



Blank: 7'10" Gun

New: April 2021

Max length: 7'9"

Max width: 23 1/4"

Max thickness: 3 5/8"

Volume: 76.90 liters

Shipping: Sea container

Row: 28

Stack: 124

20' box: 292

40' box: 591

40 HC: 981

Densities: Pink, Yellow, Green, Blue, Red, Orange (1966), Purple, Gold (tow), Silver (skim) - 8% weight reduction between colours.

Experience notes: Natural (moulded) rocker is shown. M08 is the most popular rocker in all sizes since 2008.

Deep cutting may require heavier densities like Red or Orange Foam.



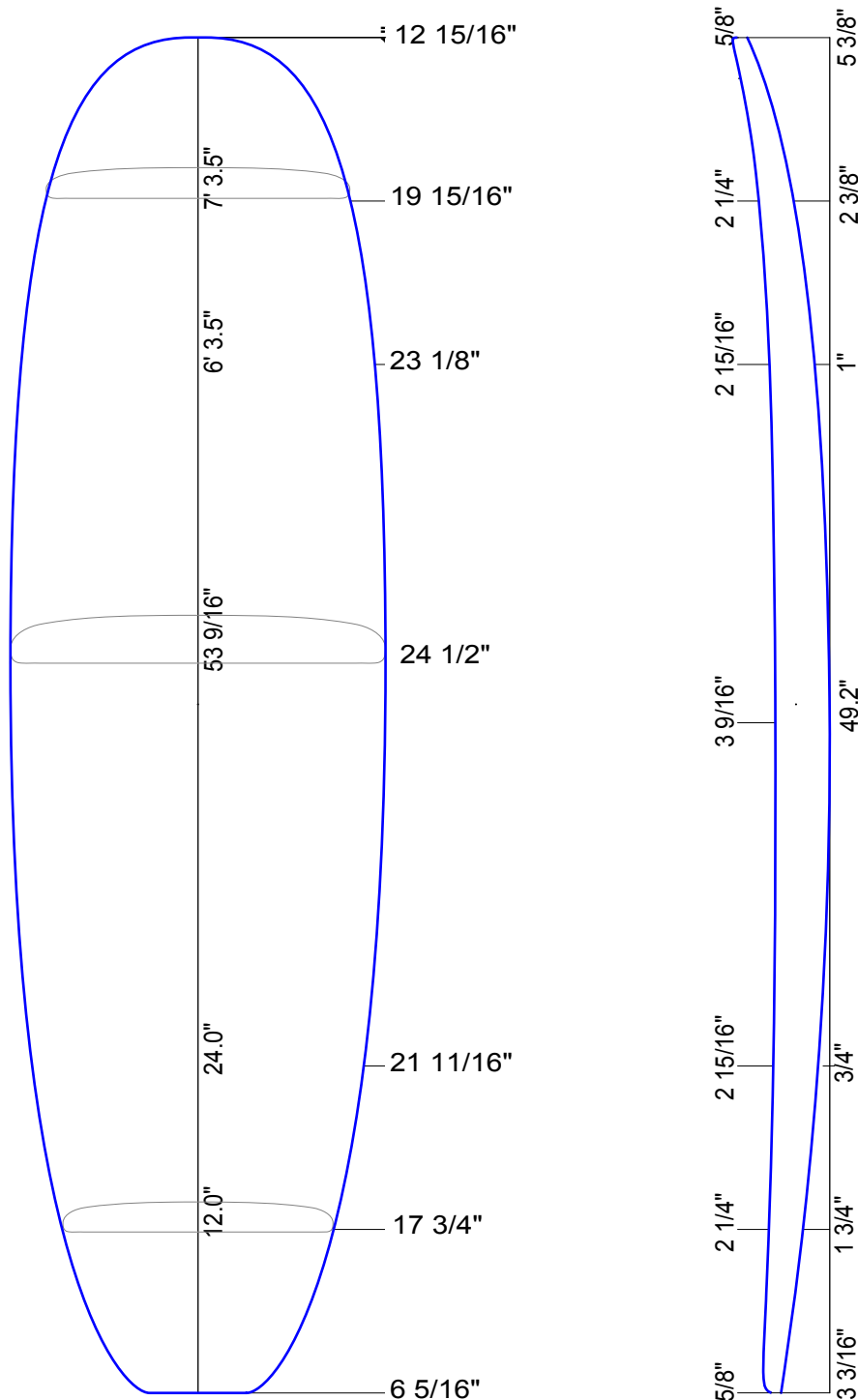
Surfblanks Australia

8'3"LB

13 West Street, Brookvale, NSW, 2100, Australia

Ph 61 2 9938 3300 - Fx 61 2 9905 4650 - email sales@surfblanksaustralia.com

www.surfblanksaustralia.com



Blank: 8'3" Longboard

New: August 2012

Max length: 8'3 1/2"

Max width: 24 1/2"

Max thickness: 3 9/16"

Volume: 89.61 liters

Shipping: Sea container

Row: 26

Stack: 97

20' box: 228

40' box: 462

40 HC: 770

Above are optimistic loads.

Densities: Pink, Yellow, Green, Blue, Red, Orange (1966), Purple, Gold (tow), Silver (skim) - 8% weight reduction between colours.

Experience notes: Natural (moulded) rocker is shown. M08 is the most popular rocker in all sizes since 2008. A general purpose high volume mid length blank that could shape into just about anything with the right rocker glued in.

Deep cutting may require heavier densities like Red or Orange Foam.



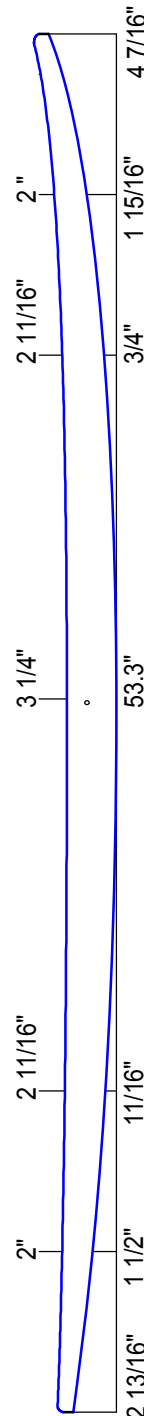
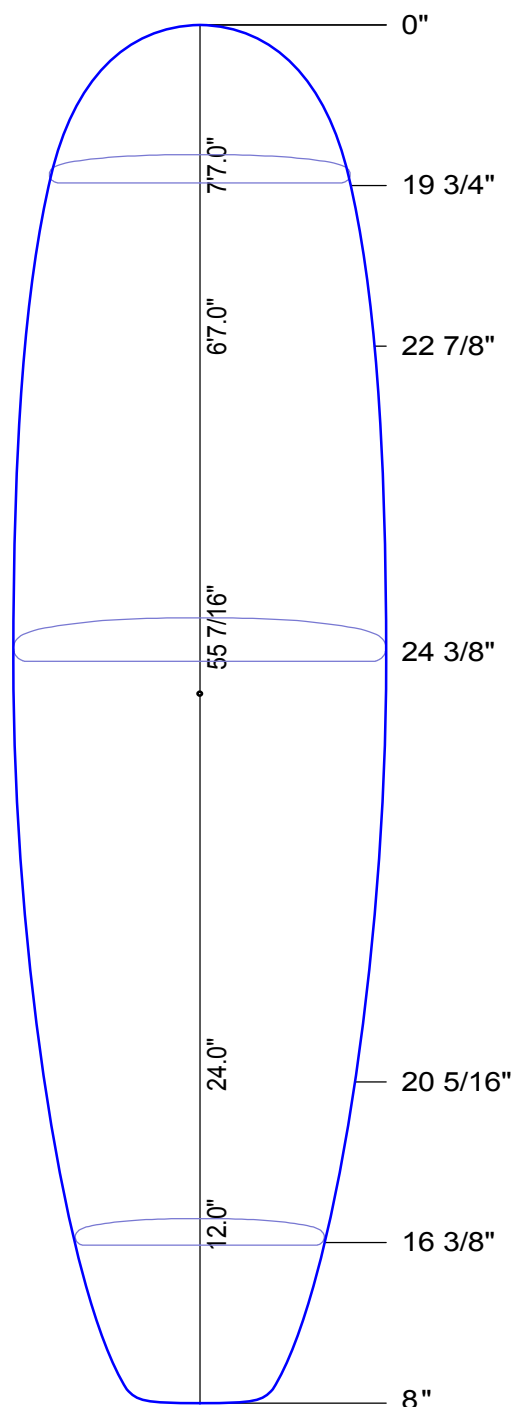
Surfblanks Australia

8'7"LB

13 West Street, Brookvale, NSW, 2100, Australia

Ph 61 2 9938 3300 - Fx 61 2 9905 4650 - email sales@surfblanksaustralia.com

www.surfblanksaustralia.com



Blank: 8'7" Longboard

New: Oct, 2005

Max length: 8'7 1/2"

Max width: 24 3/8"

Max thickness: 3 1/4"

Volume: 82.88 liters

Shipping: Sea container

Row: 28

Stack: 105

20' box: 238

40' box: 483

40 HC: 835

Above are optimistic loads.

Densities: Pink, Yellow, Green, Blue, Red, Orange (1966), Purple, Gold (tow), Silver (skim) - 8% weight reduction between colours.

Experience notes: Natural (moulded) rocker is shown. M08 is the most popular rocker in all sizes since 2008. A medium volume mini that can provide a variety of shapes depending on rocker. Deep cutting may require heavier densities like Red or Orange Foam.



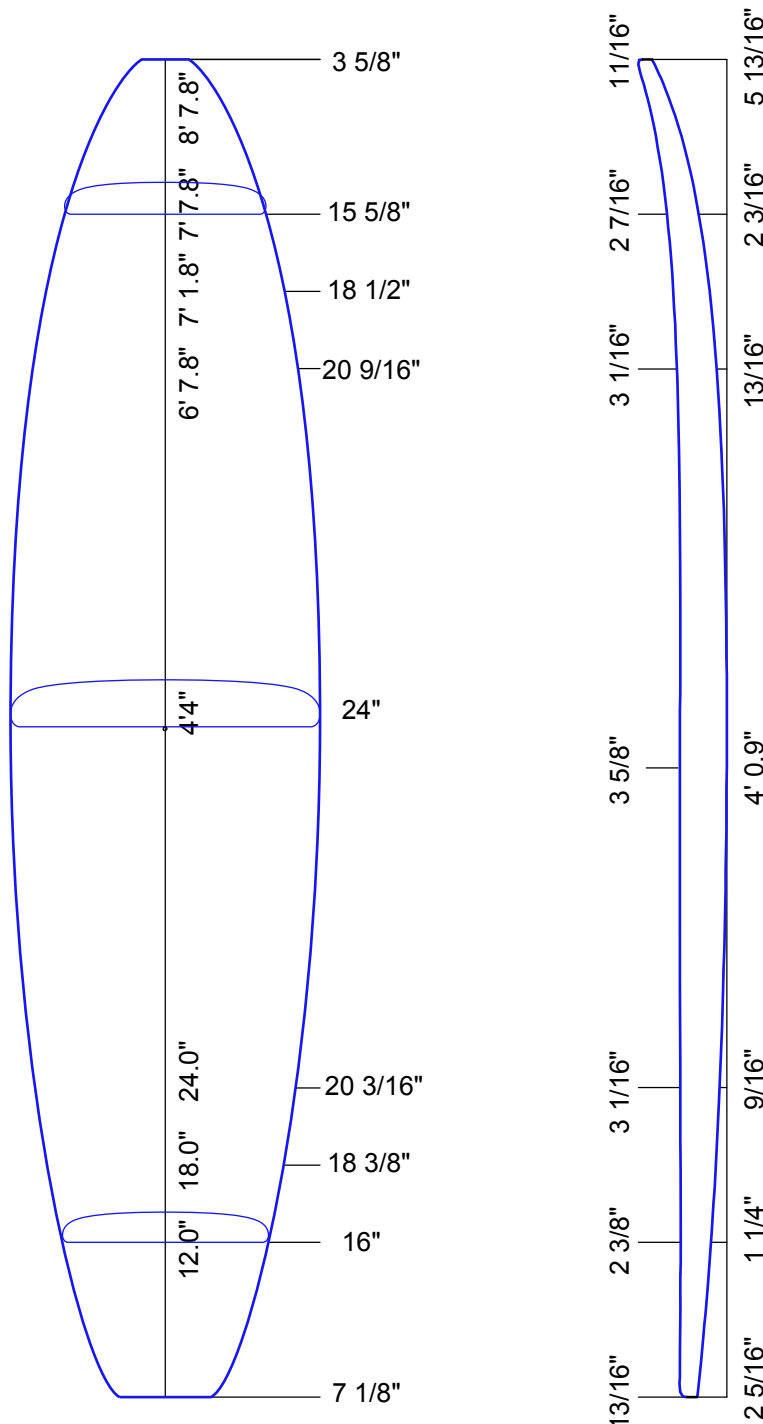
Surfblanks Australia

8'9" GB

13 West Street, Brookvale, NSW, 2100, Australia

Ph 61 2 9938 330000 - Fx 61 2 9905 4650 - email sales@surfblanksaustralia.com

www.surfblanksaustralia.com



Blank: 8'9" Gun

New: August 2020

Max length: 8'9"

Max width: 24"

Max thickness: 3 5/8"

Volume: 91.27 liters

Shipping: Sea container

Row: 28

Stack: 120

20' box: 267

40' box: 541

40 HC: 950

Densities: Pink, Yellow, Green, Blue, Red, Orange (1966), Purple, Gold (tow), 8% weight reduction between colours.

Experience notes: Natural (moulded) rocker is shown. M08 is the most popular rocker in all sizes since 2008.

Deep cutting may require heavier densities like Red or Orange Foam.



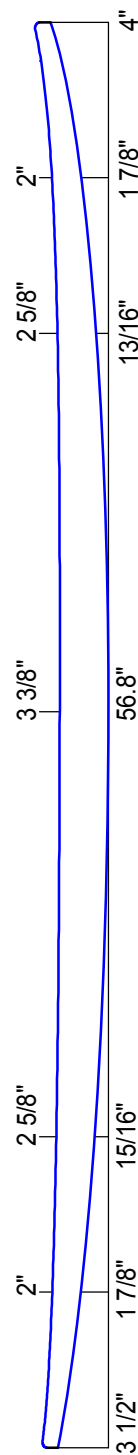
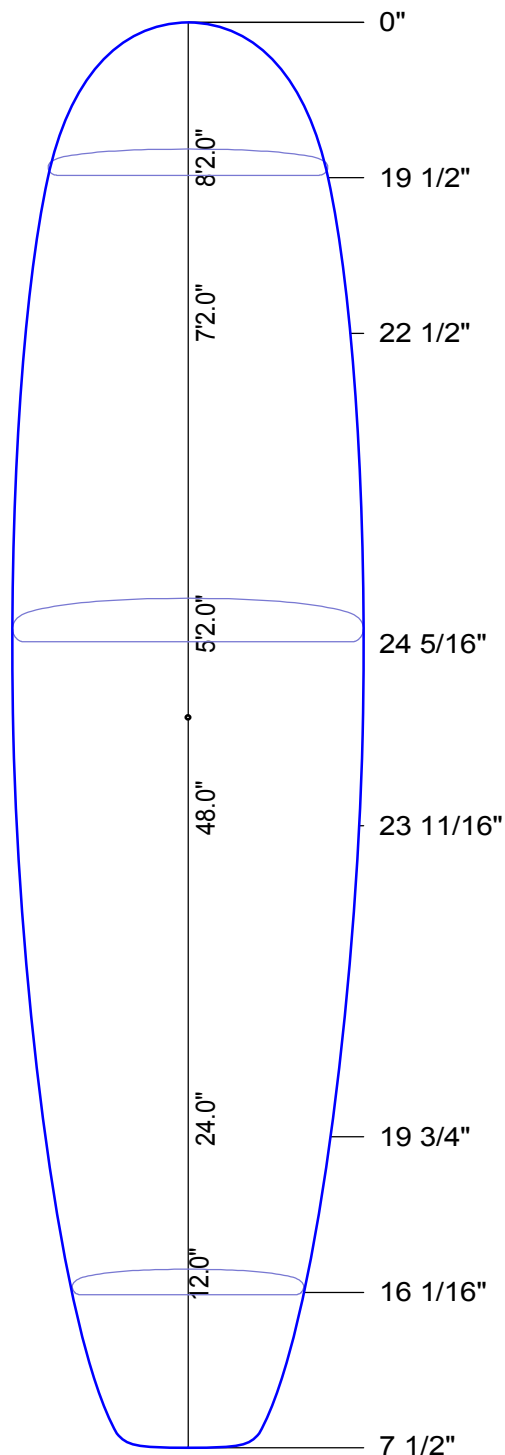
Surfblanks Australia

9'2"LB

13 West Street, Brookvale, NSW, 2100, Australia

Ph 61 2 9938 3300 - Fx 61 2 9905 4650 - email sales@surfblanksaustralia.com

www.surfblanksaustralia.com



Blank: 9'2" Longboard

New: May, 2003

Max length: 9'2 1/2"

Max width: 24 5/16"

Max thickness: 3 3/8"

Volume: 90.59 liters

Shipping: Sea container

Row: 26

Stack: 100

20' box: 209

40' box: 424

40 HC: 790

Above are optimistic loads.

Densities: Pink, Yellow, Green, Blue, Red, Orange (1966), Purple, Gold (tow), Silver (skim) - 8% weight reduction between colours.

Experience notes: Natural (moulded) rocker is shown. M08 is the most popular rocker in all sizes since 2008. Very popular for modern shapes. Can be rockered to do many things. Enough volume for hand or machine shaping.

Deep cutting may require heavier densities like Red or Orange Foam.



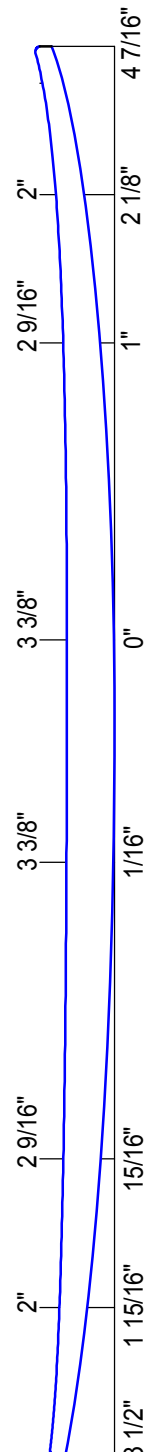
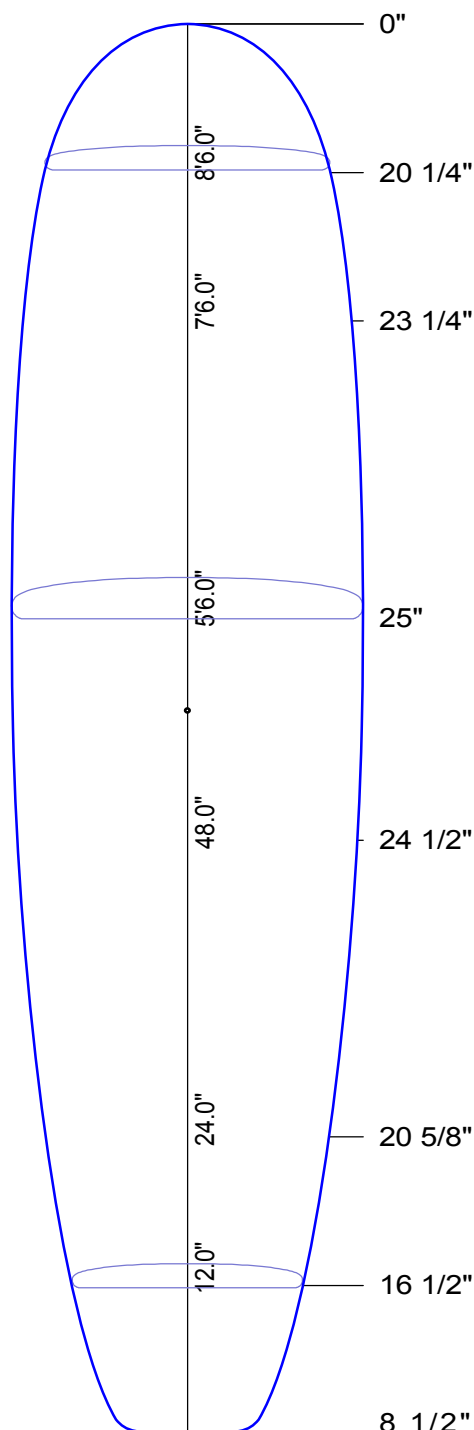
Surfblanks Australia

9'6"LB

13 West Street, Brookvale, NSW, 2100, Australia

Ph 61 2 9938 3300 - Fx 61 2 9905 4650 - email sales@surfblanksaustralia.com

www.surfblanksaustralia.com



Blank: 9'6" Longboard

New: January, 2011

Max length: 9'6 1/2"

Max width: 25"

Max thickness: 3 7/16"

Volume: 96.59 liters

Shipping: Sea container

Row: 26

Stack: 95

20' box: 194

40' box: 394

40 HC: 754

Above are optimistic loads.

Densities: Pink, Yellow, Green, Blue, Red, Orange (1966), Purple, Gold (tow), Silver (skim) - 8% weight reduction between colours.

Experience notes: Natural (moulded) rocker is shown. M08 is the most popular rocker in all sizes since 2008. A wide, thick blank designed to accommodate higher volume shapes around the 9'3" mark. Deep cutting may require heavier densities like Red or Orange Foam.



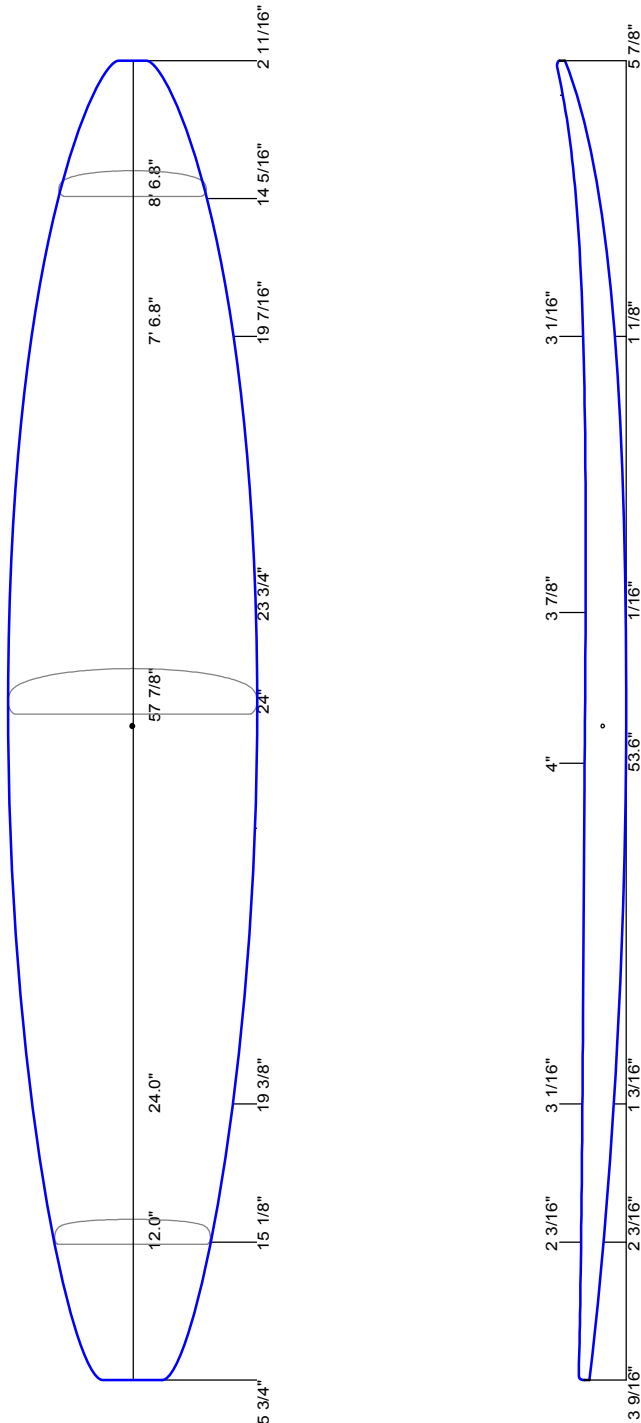
Surfblanks Australia

9'7" GB

13 West Street, Brookvale, NSW, 2100, Australia

Ph 61 2 9938 330000 - Fx 61 2 9905 4650 - email sales@surfblanksaustralia.com

www.surfblanksaustralia.com



Blank: 9'7" Gun Blank

New: May, 2018

Max length: 9'6.8"

Max width: 24.0"

Max thickness: 4"

Volume: 101.5 liters

Shipping: Sea container

Row: 22

Stack: 78

20' box: 156

40' box: 312

40 HC: 352

Densities: Blue & Red - 8% weight reduction between colours.

Experience notes: Natural (moulded) rocker is shown. Hawaii 96 is the most common Gun rocker. This blank is a step down version of the 10'7" Mega Gun.

Deep cutting may require heavier densities like Red or Orange Foam.



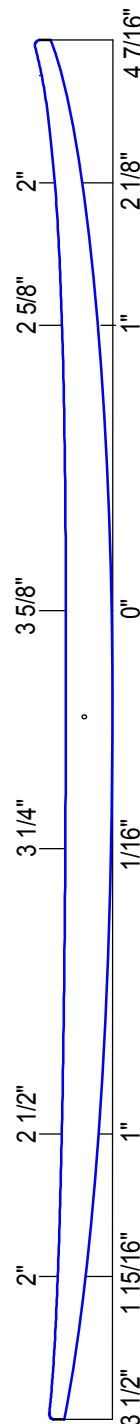
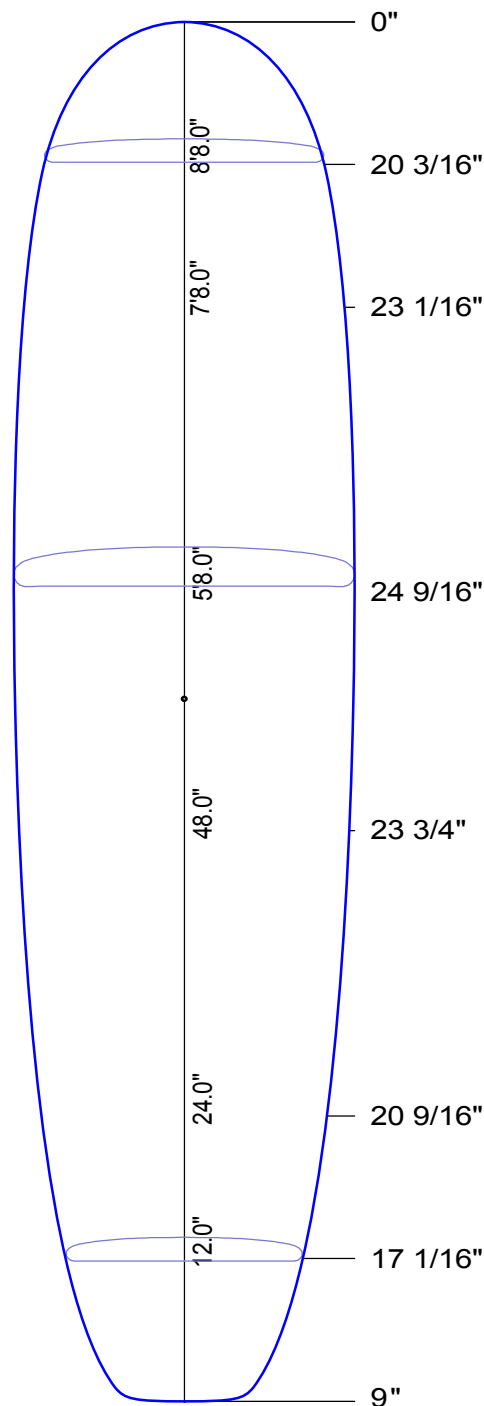
Surfblanks Australia

9'8"LB

13 West Street, Brookvale, NSW, 2100, Australia

Ph 61 2 9938 3300 - Fx 61 2 9905 4650 - email sales@surfblanksaustralia.com

www.surfblanksaustralia.com



Blank: 9'8" Longboard

New: May, 1999

Max length: 9'8 1/2"

Max width: 24 9/16"

Max thickness: 3 5/8"

Volume: 98.98 liters

Shipping: Sea container

Row: 25

Stack: 93

20' box: 188

40' box: 380

40 HC: 740

Above are optimistic loads.

Densities: Pink, Yellow, Green, Blue, Red, Orange (1966), Purple, Gold (tow), Silver (skim) - 8% weight reduction between colours.

Experience notes: Natural (moulded) rocker is shown. M08 is the most popular rocker in all sizes since 2008. This very versatile blank will make every kind of longboard including hipped pigs. Rocker it to suit (H96 Gun) and it will make a high volume gun (after outline change). Deep cutting may require heavier densities like Red or Orange Foam.



Surfblanks Australia

9'10"LB

13 West Street, Brookvale, NSW, 2100, Australia

Ph 61 2 9938 3300 - Fx 61 2 9905 4650 - email sales@surfblanksaustralia.com

www.surfblanksaustralia.com

Blank: 9'10" Longboard

New: May, 2023

Max length: 9'9.3"

Max width: 25"

Max thickness: 3 9/16"

Volume: 115.56 liters

Shipping: Sea container

Row: 25

Stack: 93

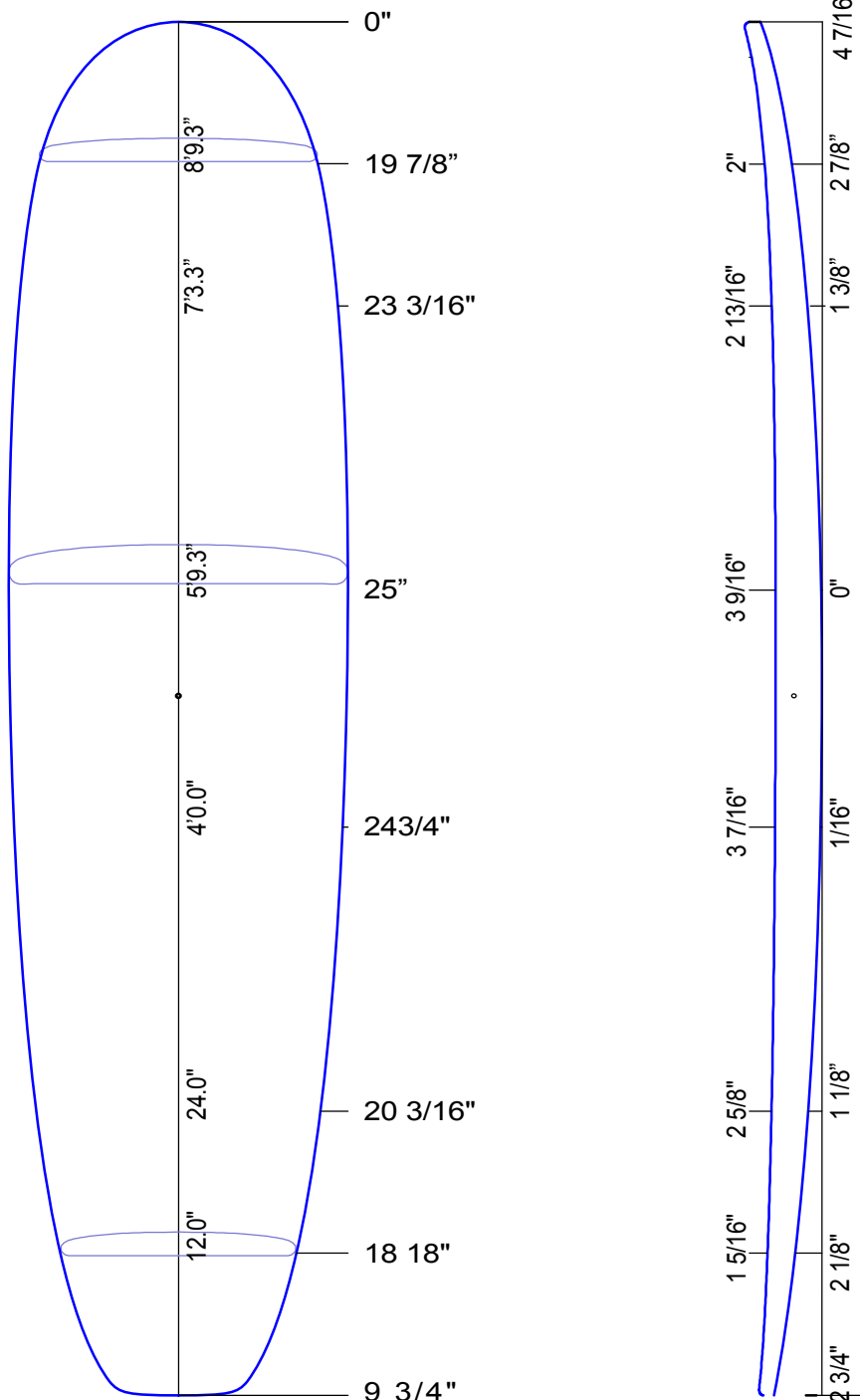
20' box: 188

40' box: 380

40 HC: 740

Above are optimistic loads.

Densities: Pink, Yellow, Green, Blue, Red, Orange (1966), Purple, Gold (tow), Silver (skim) - 8% weight reduction between colours.



Experience notes: Natural (moulded) rocker is shown. M08 is the most popular rocker in all sizes since 2008. This very versatile blank will make every kind of longboard including hipped pigs. Rocker it to suit (H96 Gun) and it will make a high volume gun (after outline change). Deep cutting may require heavier densities like Red or Orange Foam.



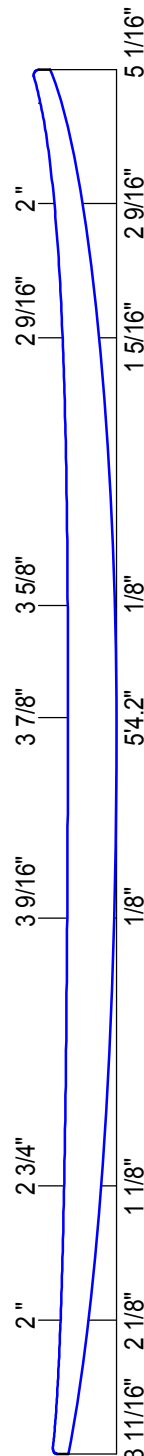
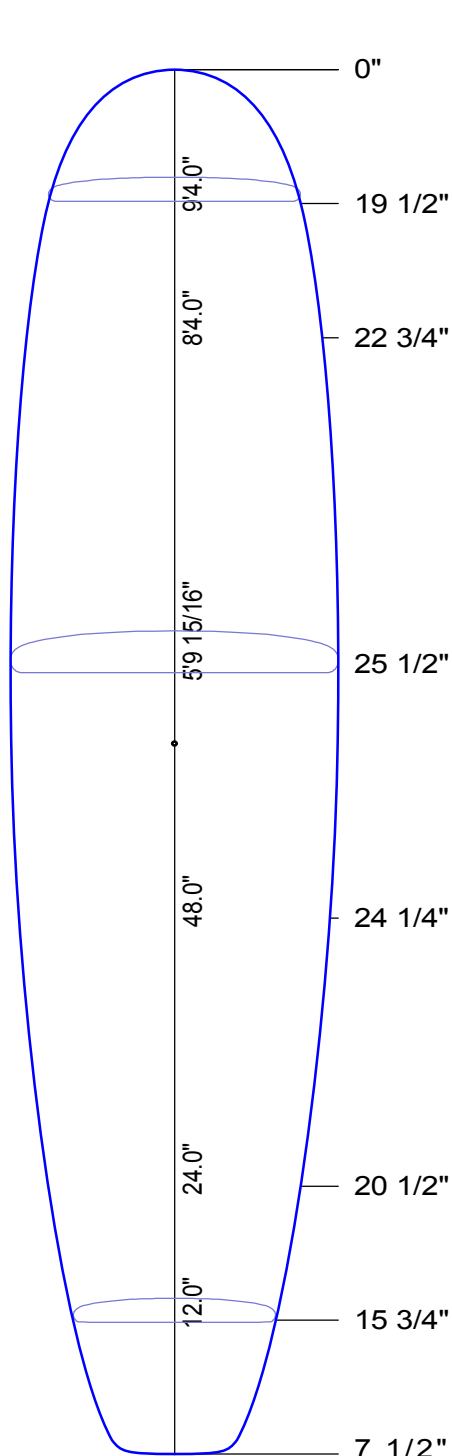
Surfblanks Australia

10'4"LB

13 West Street, Brookvale, NSW, 2100, Australia

Ph 61 2 9938 3300 - Fx 61 2 9905 4650 - email sales@surfblanksaustralia.com

www.surfblanksaustralia.com



Blank: 10'4" Longboard

New: June, 1993

Max length: 10' 4 1/2"

Max width: 25 7/16"

Max thickness: 3 7/8"

Volume: 116.75 liters

Shipping: Sea container

Row: 23

Stack: 84

20' box: 158

40' box: 319

40 HC: 665

Above are optimistic loads.

Densities: Pink, Yellow, Green, Blue, Red, Orange (1966), Purple, Gold (tow), Silver (skim) - 8% weight reduction between colours.

Experience notes: Natural (moulded) rocker is shown. M08 is the most popular rocker in all sizes since 2008. General purpose blank, long enough to make a pig if the tail is cut back. Rockered with H96 profile it will make a high volume gun after outline adjustment.

Deep cutting may require heavier densities like Red or Orange Foam.



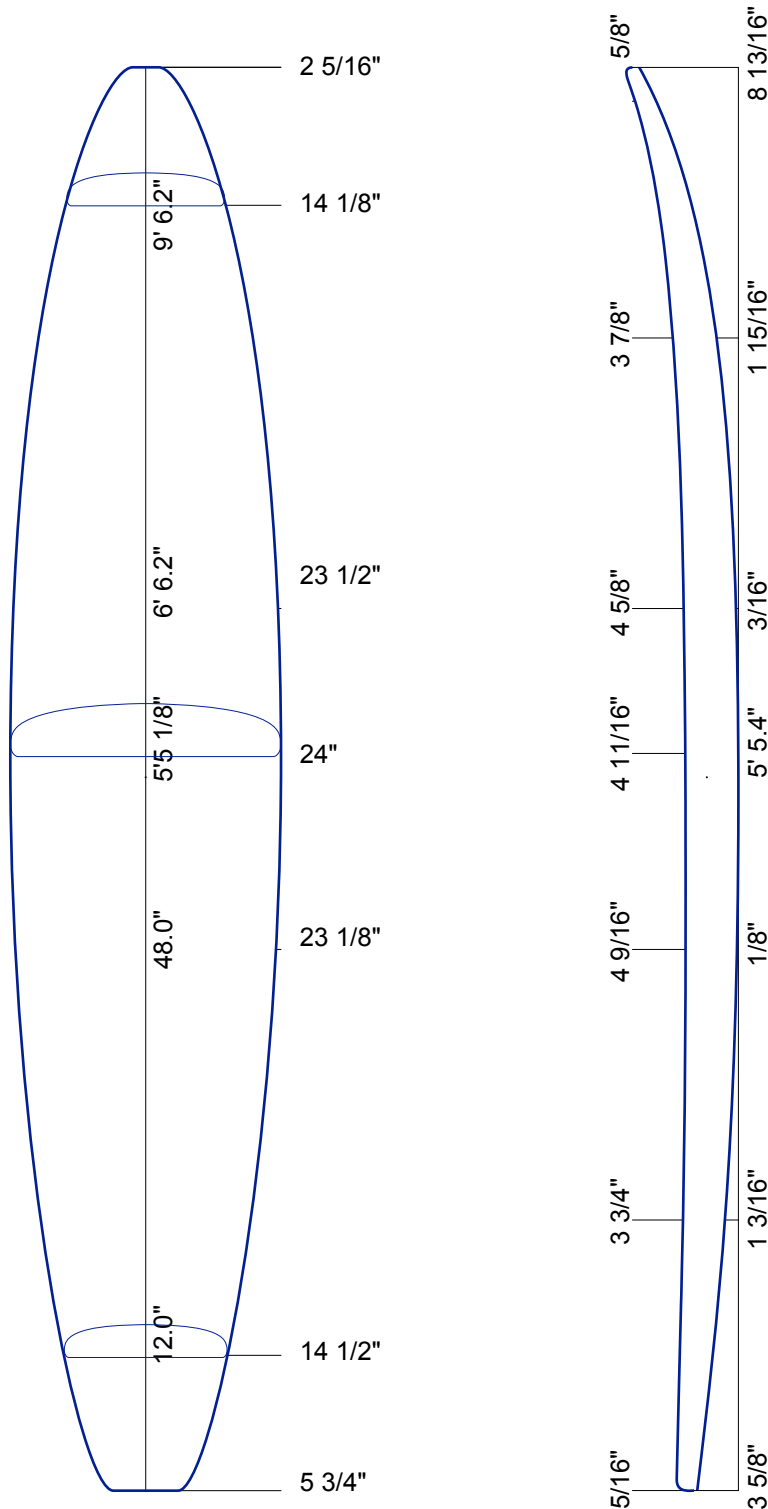
Surfblanks Australia

10'7"MG

13 West Street, Brookvale, NSW, 2100, Australia

Ph 61 2 9938 330000 - Fx 61 2 9905 4650 - email sales@surfblanksaustralia.com

www.surfblanksaustralia.com



Blank: 10'7" Mega Gun

New: November, 2016

Max length: 10'7"

Max width: 24"

Max thickness: 4 11/16"

Volume: 132 liters

Shipping: Sea container

Row: 19

Stack: 69

20' box: 69

40' box: 207

40 HC: 243

Densities: Blue, Red- 8%
weight reduction between colours.

Experience notes: Natural (moulded) rocker is shown. M08 is the most popular rocker in all sizes since 2008.

Deep cutting may require heavier densities like Red Foam.

