

Electric Strike

GK700



FERMAX

FERMVISION

RISCO
GROUP

EGi

CROSS POINT

Tibbo
TECHNOLOGY

fermaxaus
 .com.au



Audio Intercoms | Video Intercoms | IP Intercom Systems | Access Control | Sound Distribution | IP Cameras
NVR's | Analogue Cameras | DVR's | Intruder Alarms | Residential & Commercial | Security Consultancy



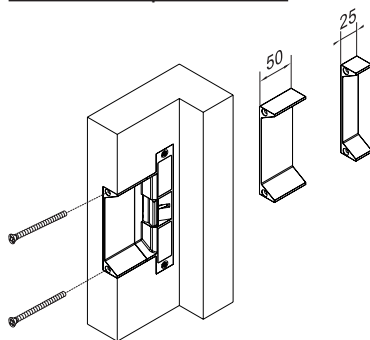
Features

- 12 ~ 28 VAC/DC
- Lock and door status outputs
- Accepts 15mm latch throw
- Keeper width 39mm
- Static strength 1,500 lb
- Compatible with LS-2200 mechanical lockset
- Fail Safe / Fail Secure changeable
- Tested over 1000 000 cycles

Specifications

- Operating Voltage: 12 ~ 28 DC/AC
- Current Draw: 230mA/12VDC, 140mA/28VDC
- 440mA/12VAC, 230mA/28VAC (at temp.20°C)
- Operating Temperature: -10~55°C(14~131°F)
- Humidity: 0~95% non-condensing
- Jaw Strength: 1500 lbs static strength

Extension Lips available



Warranty

The product is warranted against defects in material and workmanship while used in normal service for a period of 5 year from the date of sale to the original client. The Guardall policy is one of continual development and improvement, therefore Guardall reserves the right to change specifications without notice

GUARDALL AUSTRALIA © All rights reserved.

NSW

U1, 37-39 Green St,
Banksmeadow, NSW. 2019
p. 61 2 9700 1700
f. 61 2 9700 1955
sales@fermaxaus.com.au

QLD

U11, 8 Fortitude Cres,
Burleigh Heads, QLD. 4220
p. 61 7 5520 2266
f. 61 7 5520 4591
qld@fermaxaus.com.au

VIC

U30, 640-680 Geelong Rd,
Brooklyn, VIC. 3012
p. 61 3 9314 2220
f. 61 3 9314 7772
vic@fermaxaus.com.au

WA

PO Box 587
Balcatta. 6914
m. 0438 700 101
wa@fermaxaus.com.au

fermaxaus
 .com.au

