

5MP Vandal-resistant Network IR Fixed Dome Camera (FVN-IP 5MP VAN DOME)



Key Features

Optics

- Day/night functionality
- Smart IR, up to 30 m (98 ft) IR distance
- 2D/3D DNR (Digital Noise Reduction)

Compression

- Ultra 265, H.265, H.264, MJPEG
- ROI (Region of Interest)

Network

- ONVIF Conformance

Structure

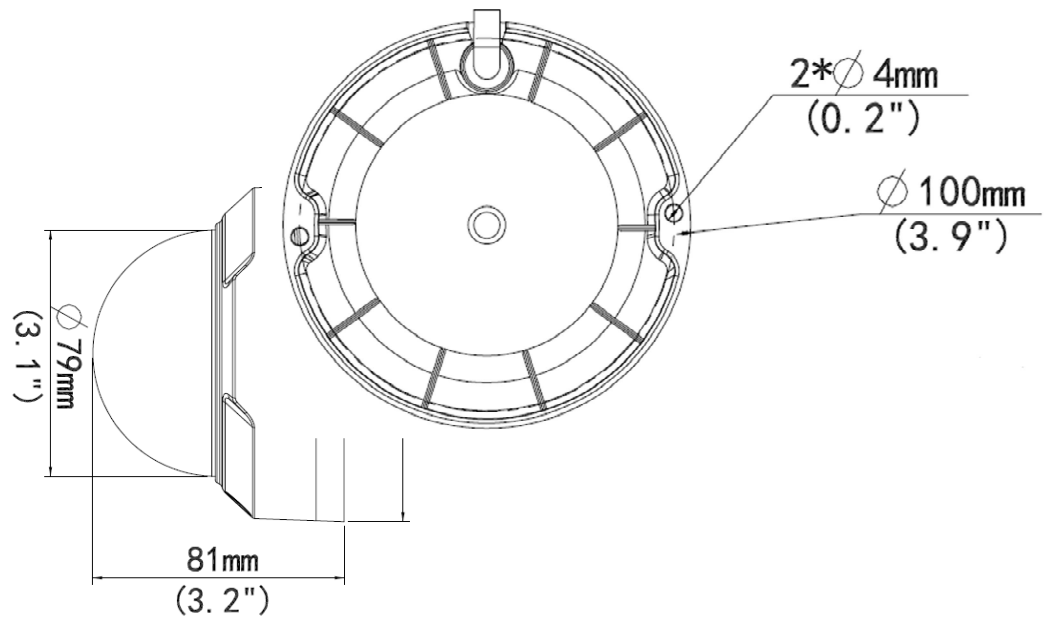
- Support PoE power supply
- Wide temperature range: -30°C ~ +60°C (-22°F ~ 140°F)
- Wide voltage range of ±25%
- IK10 vandal resistant
- IP67
- 2-Axis

Specifications

FVN-IP 5MP VAN DOME					
Camera					
Sensor	1/2.7", progressive scan, 5.0 megapixel, CMOS				
Lens	28mm@F2.0				
DORI Distance	Lens	Detect(m)	Observe(m)	Recognize(m)	Identify(m)
	2.8mm	42	16.8	8.4	4.2
Angle of View (H)	105.3°				
Angle of View (V)	69.5°				
Angle of View (O)	136.9°				
Adjustment angle	Pan: 0°~360°			Tilt: 0°~75°	
Shutter	Auto/Manual, 1~1/100000 s				
Minimum Illumination	Colour: 0.01Lux (F2.0, AGC ON) 0Lux with IR				
Day/Night	IR-cut filter with auto switch (ICR)				
Digital noise reduction	2D/3D DNR				
S/N	>52dB				
IR Range	Up to 30m (98 ft) IR range				
WDR	DWDR				
Video					
Video Compression	Ultra 265,H.265,H.264,MJPEG				
H.264 code profile	Baseline profile, Main Profile, High Profile				
Frame Rate	Main Stream:5MP (2592*1944): Max. 15 fps; Sub Stream:720P (1280*720): Max.20 fps;				
HLC	Supported				
BLC	Supported				
OSD	Up to 4 OSDs				
Privacy Mask	Up to 8 areas				
ROI	Up to 2 areas				
Motion Detection	Up to 4 areas				
Network					
Protocols	IPv4, IGMP, ICMP, ARP, TCP, UDP, DHCP, RTP, RTSP, RTCP, DNS, DDNS, NTP, FTP, UPnP, HTTP, HTTPS, SMTP, SSL				
Compatible Integration	ONVIF(Profile S), API				
Interface					
Network	10M/100M Base-TX Ethernet				
General					
Power	DC12V±25%, PoE (IEEE802.3 af)				
	Power consumption: Max.4w				
Dimensions (Ø x H)	Ø109 x 81mm (Ø4.3" x 3.2")				
Weight	0.35kg (0.77lb)				
Working Environment	-30°C ~ +60°C (-22°F ~ 140°F), Humidity :10%~90% RH(non-condensing)				
Ingress Protection	IP67				

Vandal Resistant	IK10
------------------	------

Dimensions



*Product specifications and availability are subject to change without notice.

HEAD OFFICE

U1, 37-39 Green St,
Banksmeadow, NSW, 2019
p. 61 2 9700 1700
f. 61 2 9700 1955
sales@fermaxaus.com.au

QLD OFFICE

U11, 8 Fortitude Cres,
Burleigh Heads, QLD, 4220
p. 61 7 5520 2266
f. 61 7 5520 4591
qld@fermaxaus.com.au

VIC OFFICE

U30, 640-680 Geelong Rd,
Brooklyn, VIC, 3012
p. 61 3 9314 2220
f. 61 3 9314 7772
vic@fermaxaus.com.au

WA OFFICE

U2, 26 Gibberd Rd,
Balcatta, 6914
p. 61 8 9240 2624
wa@fermaxaus.com.au

SA OFFICE

PO Box 161
Torrensville Plaza, 5031
m. 61 438 700 811
sa@fermaxaus.com.au

NZ OFFICE

PO Box 112 110
Penrose, 1642
m. 64 27 566 0222
p. 64 9 337 6229
nz@fermaxnz.co.nz

