

# 5MP Fixed Dome Network Camera

( FVN-IP 5MP BLK DOME )



## Key Features

### Optics

- Day/night functionality
- Smart IR, up to 30 m (98 ft) IR distance
- 3D DNR (Digital Noise Reduction)

### Compression

- Ultra 265,H.265,H.264,MJPEG
- ROI (Region of Interest)

### Network

- ONVIF Conformance

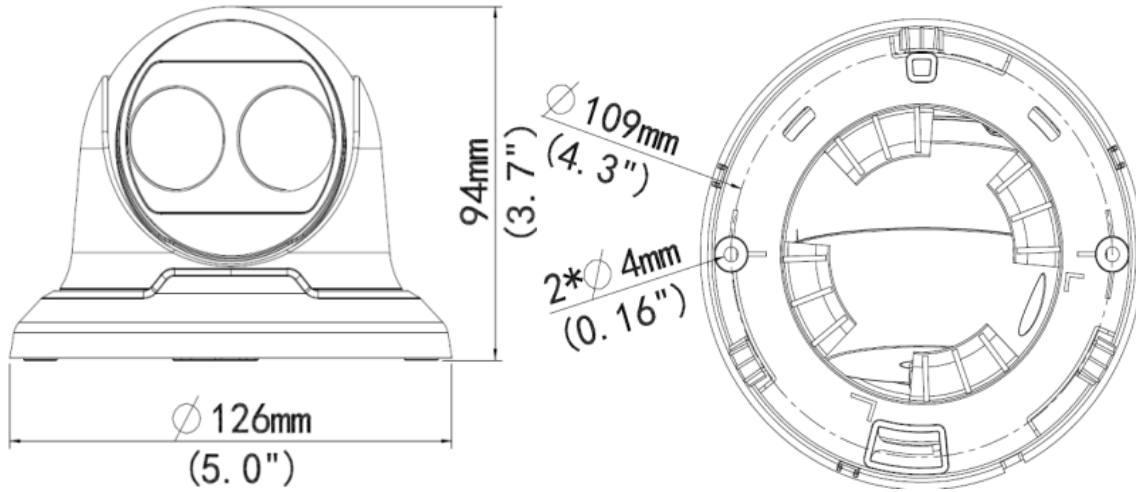
### Structure

- Support PoE power supply
- Wide temperature range: -30°C to 60°C (-22°F to 140°F)
- Wide voltage range of  $\pm 25\%$
- IP67
- 3-Axis

# Specifications

FVN-IP 5MP BLK DOME					
Camera					
Sensor	1/2.7", 5.0 megapixel, progressive scan, CMOS				
Lens	2.8mm@F2.0				
DORI Distance	Lens	Detect(m)	Observe(m)	Recognize(m)	Identify(m)
	2.8mm	42	16.8	8.4	4.2
Angle of view(H)	105.3°				
Angle of View (V)	69.5°				
Angle of View (O)	136.9°				
Shutter	Auto/Manual, 1~1/100000 s				
Adjustment angle	Pan: 0°~360°			Tilt: 0°~75°	
Min. Illumination	Colour: 0.01 Lux (F2.0, AGC ON) 0 Lux with IR				
IR Range	Up to 30m (98 ft) IR range				
Day/Night	IR-cut filter with auto switch (ICR)				
Noise Reduction	2D/3D				
S/N	>52dB				
WDR	DWDR				
Video					
Max. Resolution	2592*1944				
Video Compression	Ultra 265,H.265,H.264,MJPEG				
Frame Rate	Main Stream:5MP (2592*1944): Max. 15 fps; Sub Stream:720P (1280*720): Max.20 fps;				
HLC	Supported				
BLC	Supported				
OSD	Up to 4 OSDs				
Privacy Mask	Up to 8 areas				
ROI	Up to 2 areas				
Motion Detection	Up to 4 areas				
Network					
Protocols	IPv4, IGMP, ICMP, ARP, TCP, UDP, DHCP, RTP, RTSP, RTCP, DNS, DDNS, NTP, FTP, UPnP, HTTP, HTTPS, SMTP, SSL				
Compatible Integration	ONVIF(Profile S),API				
Interface					
Network	10/100M Base-TX Ethernet				
General					
Power	12 V DC±25%,PoE (IEEE802.3 af)				
	Power consumption: Max 4W				
Dimensions (∅ x H)	Φ118x 96 mm (Φ4.6" x 3.8")				
Weight	0.35kg (0.77lb)				
Working Environment	-30°C ~ +60°C (-22°F ~ 140°F), Humidity :10%~90% RH(non-condensing)				
Ingress Protection	IP67				

# Dimensions



\*Product specifications and availability are subject to change without notice.

## HEAD OFFICE

U1, 37-39 Green St,  
Banksmeadow, NSW. 2019  
p. 61 2 9700 1700  
f. 61 2 9700 1955  
sales@fermaxaus.com.au

## QLD OFFICE

U11, 8 Fortitude Cres,  
Burleigh Heads, QLD. 4220  
p. 61 7 5520 2266  
f. 61 7 5520 4591  
qld@fermaxaus.com.au

## VIC OFFICE

U30, 640-680 Geelong Rd,  
Brooklyn, VIC. 3012  
p. 61 3 9314 2220  
f. 61 3 9314 7772  
vic@fermaxaus.com.au

## WA OFFICE

U2, 26 Gibberd Rd,  
Balcatta, 6914  
p. 61 8 9240 2624  
wa@fermaxaus.com.au

## SA OFFICE

PO Box 161  
Torrensville Plaza, 5031  
m. 61 438 700 811  
sa@fermaxaus.com.au

## NZ OFFICE

PO Box 112 110  
Penrose, 1642  
m. 64 27 566 0222  
p. 64 9 337 6229  
nz@fermaxnz.co.nz

