

901199

PORTABLE FLOOR LAMP

ASSEMBLY INSTRUCTIONS  
COASTER FINE FURNITURE



# Assembly Instructions


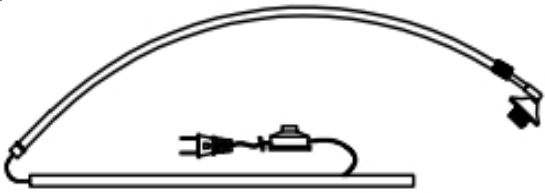










**ASSEMBLY TIPS:**

1. Remove hardware from box and sort by size.
2. Please check to see that all hardware and parts are present prior to start of assembly.
3. please follow attached attached instructions in the same sequence as numbered to assure fast & easy assembly.


**Warning!**

1. Don't attempt to repair or modify parts that are broken or defective. Please contact the store immediately.
2. This product is for home use only and not intended for commercial establishment.

**PARTS IDENTIFICATION:**

DECRPTION	FIGURE	Q' TY
A PLATE		1PC
B LAMP BODY		1PC
C BASE		1PC
D BOTTOM SHADE		1PC
E TOP SHADE		1PC
F RING		1PC
G FLAT WASHER		1PC
H SPRING WASHER		1PC
I NUT		1PC
J HOLLOW SCREW		1PC
K SCREW		1PC
L LIGHT BULB		1PC

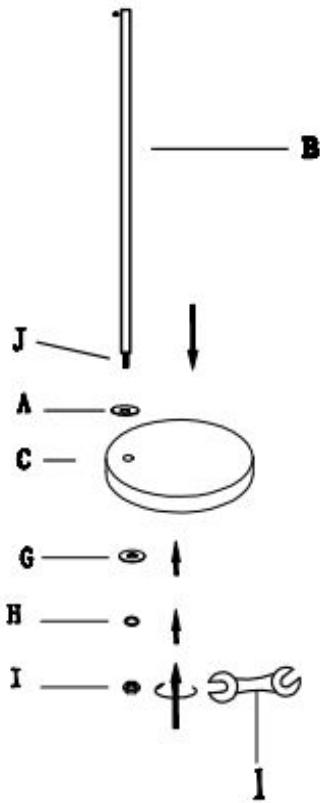
**HARDWARE PACKAGE**

NO	DECRPTION	FIGURE	Q' TY
1	WRENCH		1PC

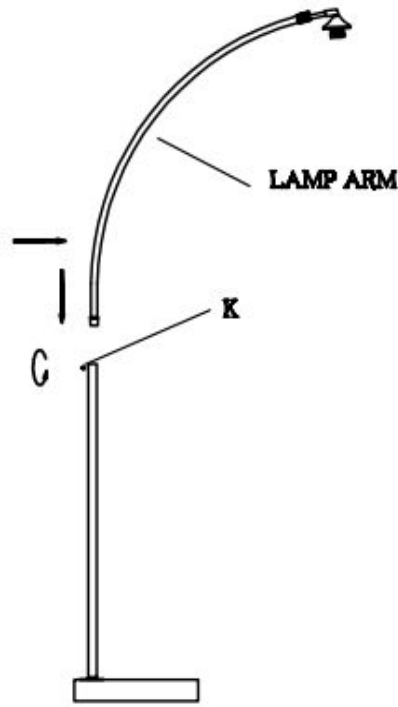
ASSEMBLY TIME PER UNIT:

10MINUTES

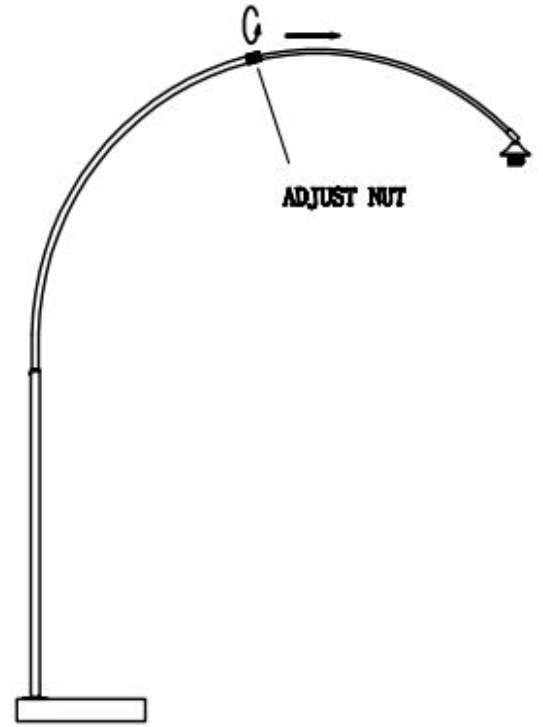
## STEP 1



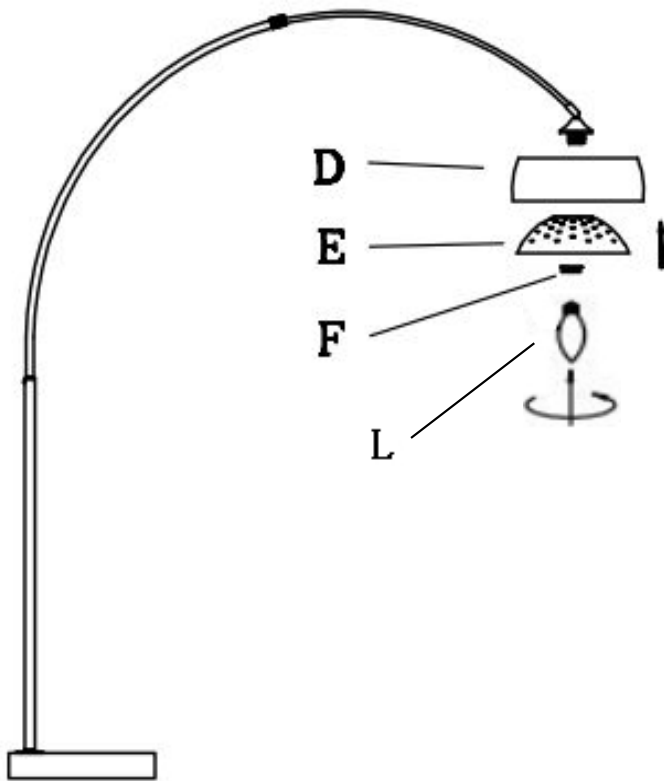
## STEP 2



## STEP 3



## STEP 4



## STEP 5

