

COAT RACK

ASSEMBLY INSTRUCTION
COASTER FINE FURNITURE



www.coastercompany.com

Assembly Instruction

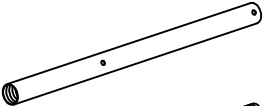
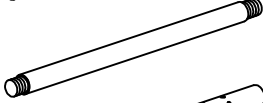


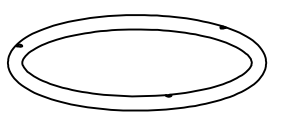

ASSEMBLY TIPS:

1. Remove hardware from box and sort by size.
2. Please check to see that all hardware and parts are present prior to start of assembly.
3. Please follow attached instructions in the same sequence as numbered to assure fast & easy assembly.

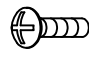






⚠ Warning!

1. Don't attempt to repair or modify parts that are broken or defective. Please contact the store immediately.
2. This product is for home use only and not intended for commercial establishment.

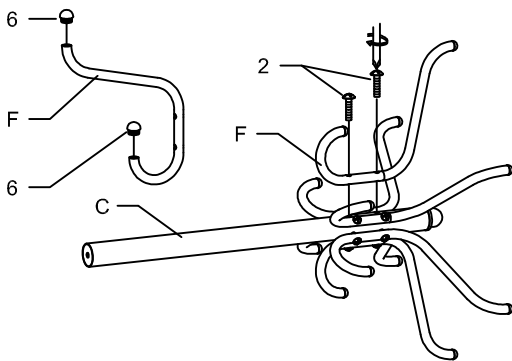
PARTS IDENTIFICATION:

A	Base Tube		1 PC
B	Middle Tube		1 PC
C	Top Tube		1 PC
D	Leg		3 PCS
E	Ring		1 PC
F	Hook		6 PCS

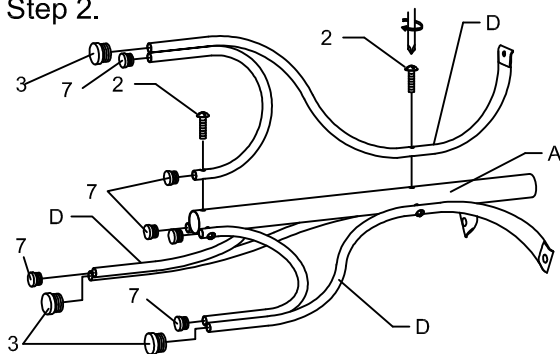
Z HARDWARE PACKAGE:

NO	DESCRIPTION	FIGURE	Q'TY
1	BOLT 3/16" x 12mm		3PCS
2	BOLT 3/16" x 22mm		18PCS
3	LEG PAD 5/8"		3PCS
4	FINIAL PAD		1PC
5	FINIAL		1PC
6	HOOK PAD		12PCS
7	LEG PAD 1/2"		6PCS

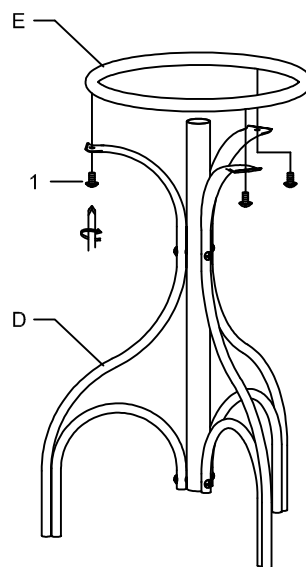
Step 1.



Step 2.



Step 3.



Step 4.

