

ASSEMBLY INSTRUCTION
COASTER FINE FURNITURE



www.coastercompany.com

ASSEMBLY INSTRUCTION

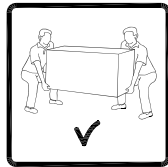
ASSEMBLY TIPS :

- 1.Remove hardware from box and sort by size.
- 2.Please check to see that all hardware and parts are present prior to start of assembly.
- 3.Please follow attached instructions in the same sequence as numbered to assure fast & easy assembly.



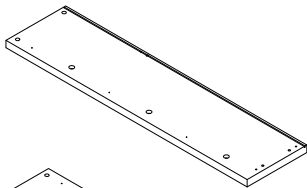
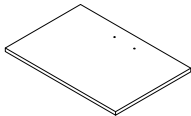
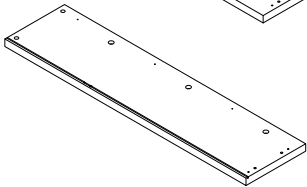
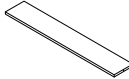
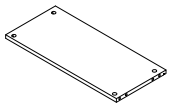
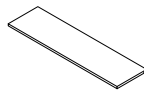
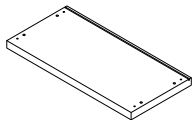
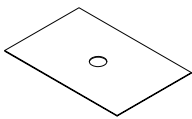

Warning !

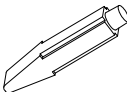

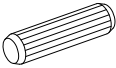

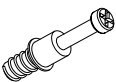
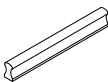
- 1.Don't attempt to repair or modify parts that are broken or defective.Please contact the store immediately.
- 2.This product is for home use only and not intended for commercial establishment.




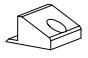



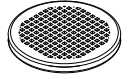

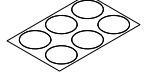




ASSEMBLY TIME PER UNIT: 80 MINUTES

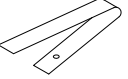
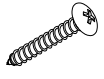
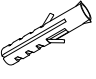

PARTS IDENTIFICATION:

(A) LEFT SIDE PANEL		1PC	(F) DOOR		3PCS
(B) RIGHT SIDE PANEL		1PC	(G) SHELF		3PCS
(C) BOTTOM PANEL		1PC	(H) PARTITION PANEL		6PCS
(D) TOP PANEL		1PC	(I) BACK PANEL		3PCS
(E) CROSS PANEL		1PC			

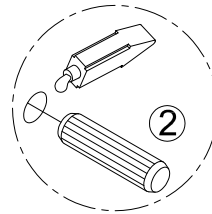
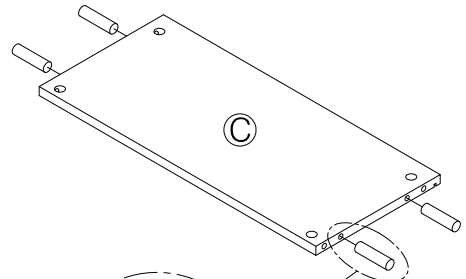
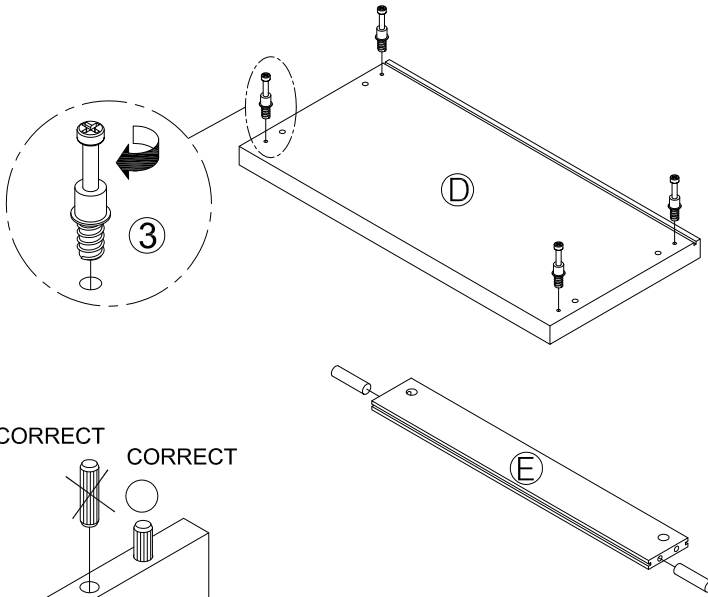
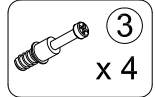
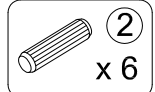
Z	HARDWARE PACKAGE						
NO	DESCRIPTION	FIGURE	Q'TY	NO	DESCRIPTION	FIGURE	Q'TY
1	GLUE 15g		1PC	4	CAM LOCK ϕ 15x12mm		10PCS
2	WOODEN DOWEL ϕ 8x30mm		10PCS	5	PLASTIC FEET ϕ 15mm		4PCS
3	CAM BOLT ϕ 7x35.5mm		10PCS	6	HANDLE L=120mm		3PCS

Z		HARDWARE PACKAGE					
NO	DESCRIPTION	FIGURE	Q'TY	NO	DESCRIPTION	FIGURE	Q'TY
7	HANDLE BOLT ø4x20mm		6PCS	13	SCREW ø4x15mm		18PCS
8	PLASTIC SIDE		3PCS	14	FIXER		6PCS
9	LATCH-MALE		6PCS	15	FIXER SCREW ø3x19mm		24PCS
10	LATCH-FEMALE		6PCS	16	RUBBER ø58mm		3PCS
11	PLASTIC SIDE SCREW ø8x17mm		6PCS	17	STICKER ø20mm		2PCS
12	BOLT ø5x15mm		6PCS	18	I BAR L=533mm		1PC

Z6,Z7,Z8,Z16 not included in blister packaging.

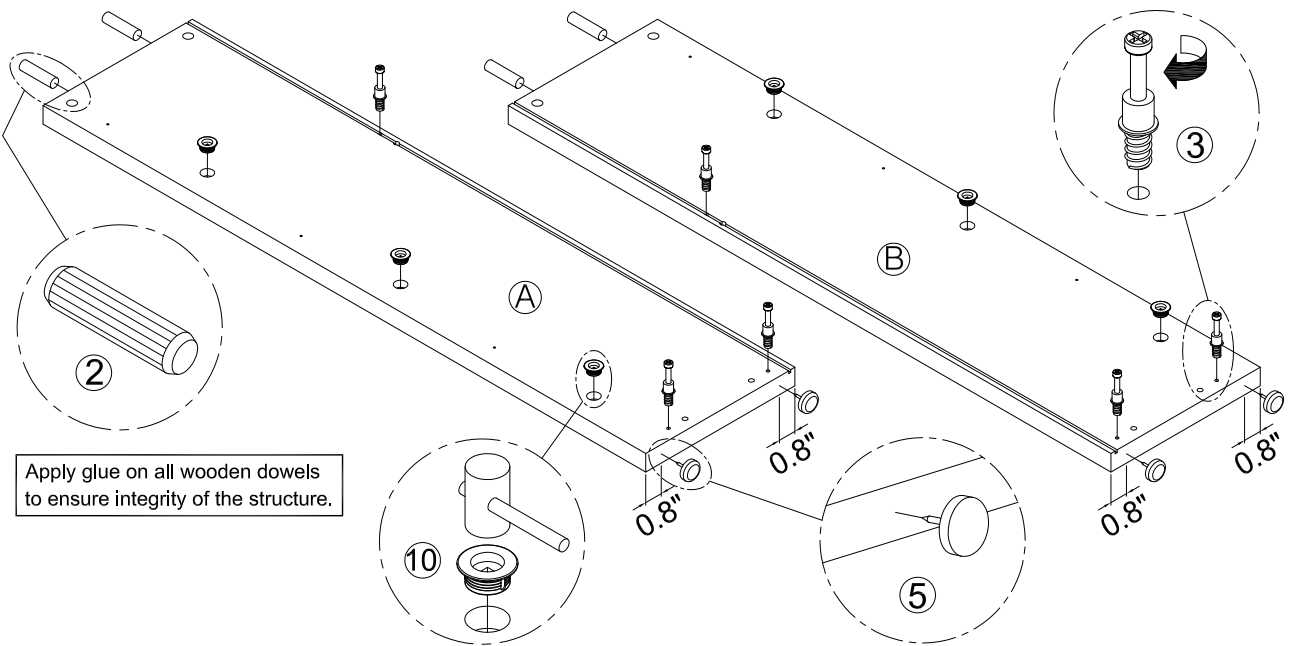
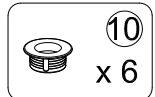
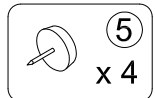
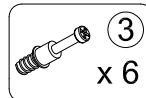
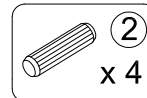
Z		HARDWARE PACKAGE					
NO	DESCRIPTION	FIGURE	Q'TY	NO	DESCRIPTION	FIGURE	Q'TY
19	ANTI-TIP STRAP 170x15mm		2PCS	21	WALL SCREW ø4x25mm		2PCS
20	WALL PLUG 6x30mm		2PCS	22	SCREW ø4x16mm		2PCS

STEP 1 :



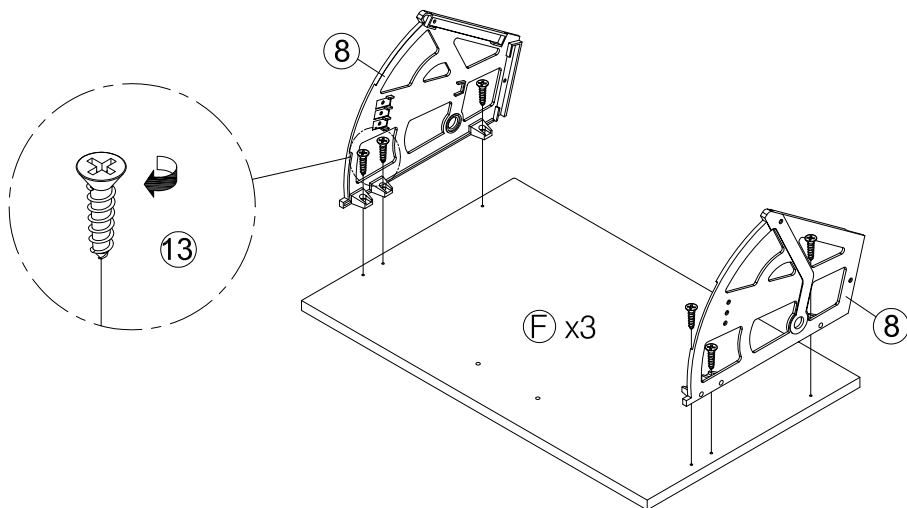
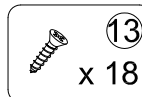
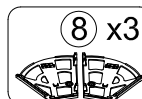
Apply glue on all wooden dowels to ensure integrity of the structure.

STEP 2 :

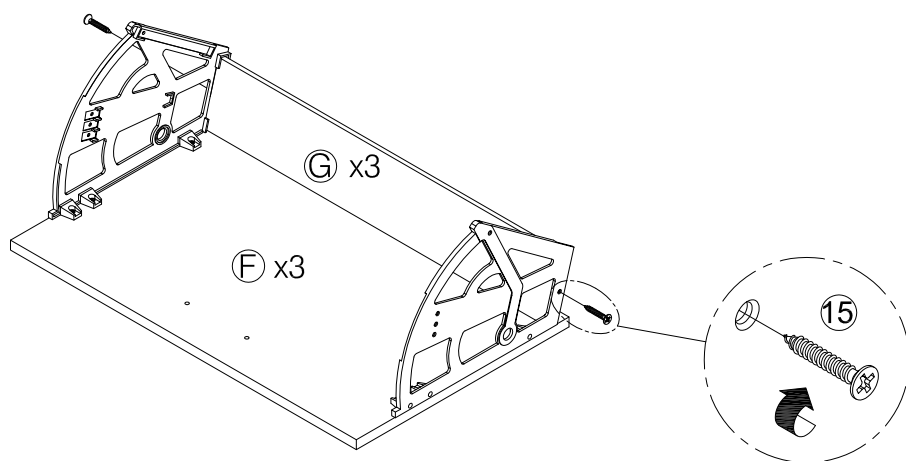
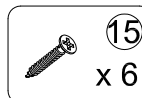


Apply glue on all wooden dowels to ensure integrity of the structure.

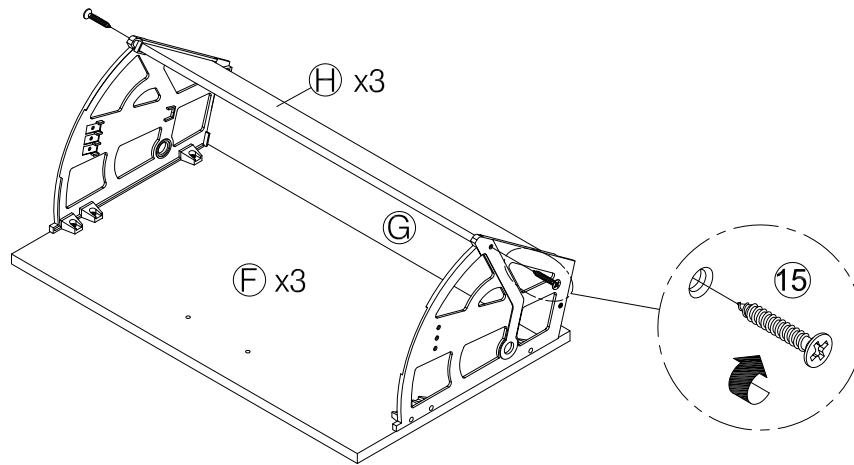
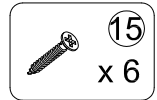
STEP 3 :



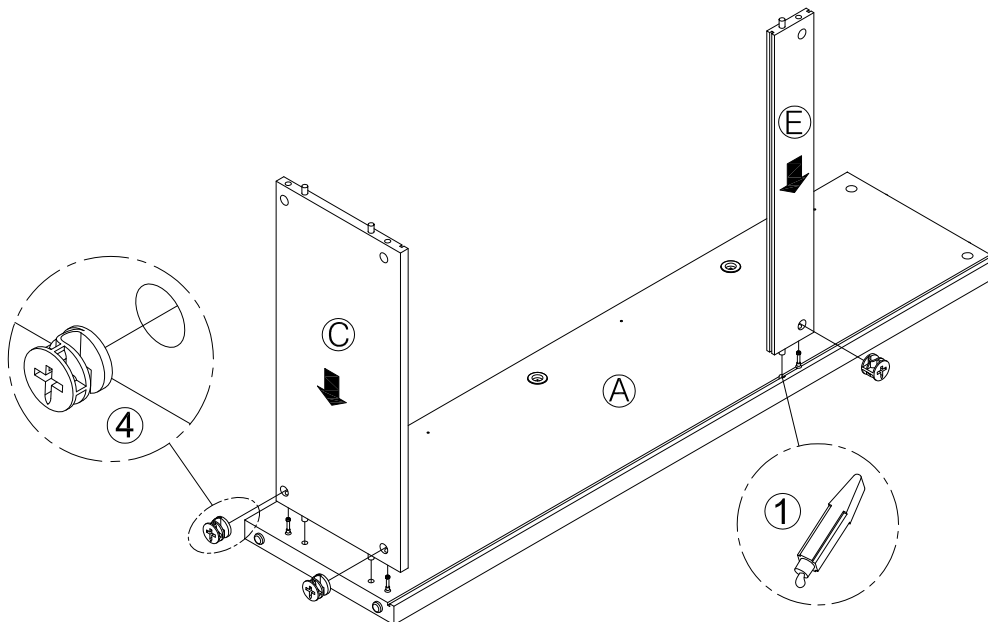
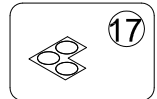
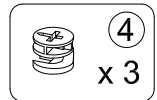
STEP 4 :



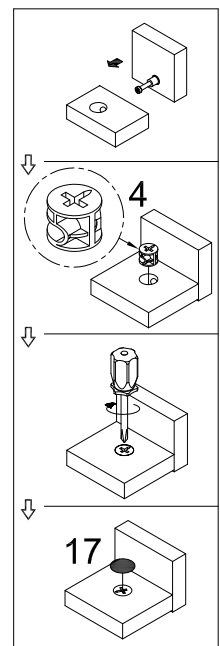
STEP 5 :



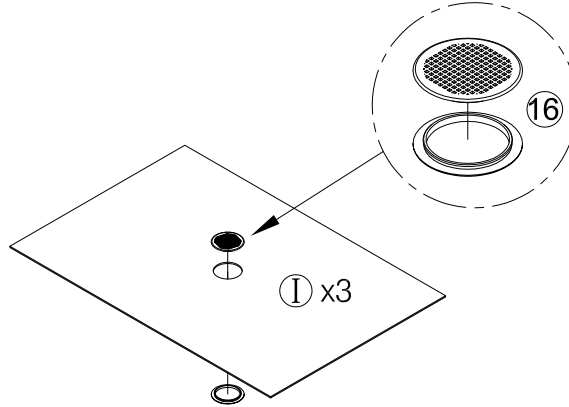
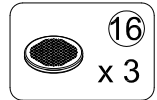
STEP 6 :



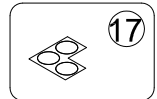
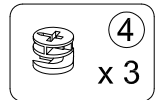
Apply glue on all wooden dowels to ensure integrity of the structure.



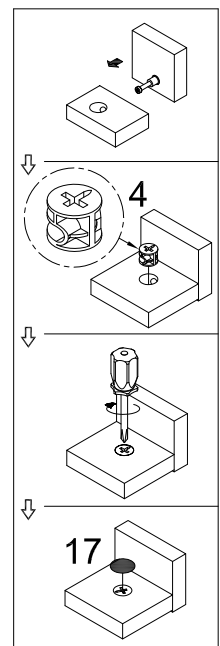
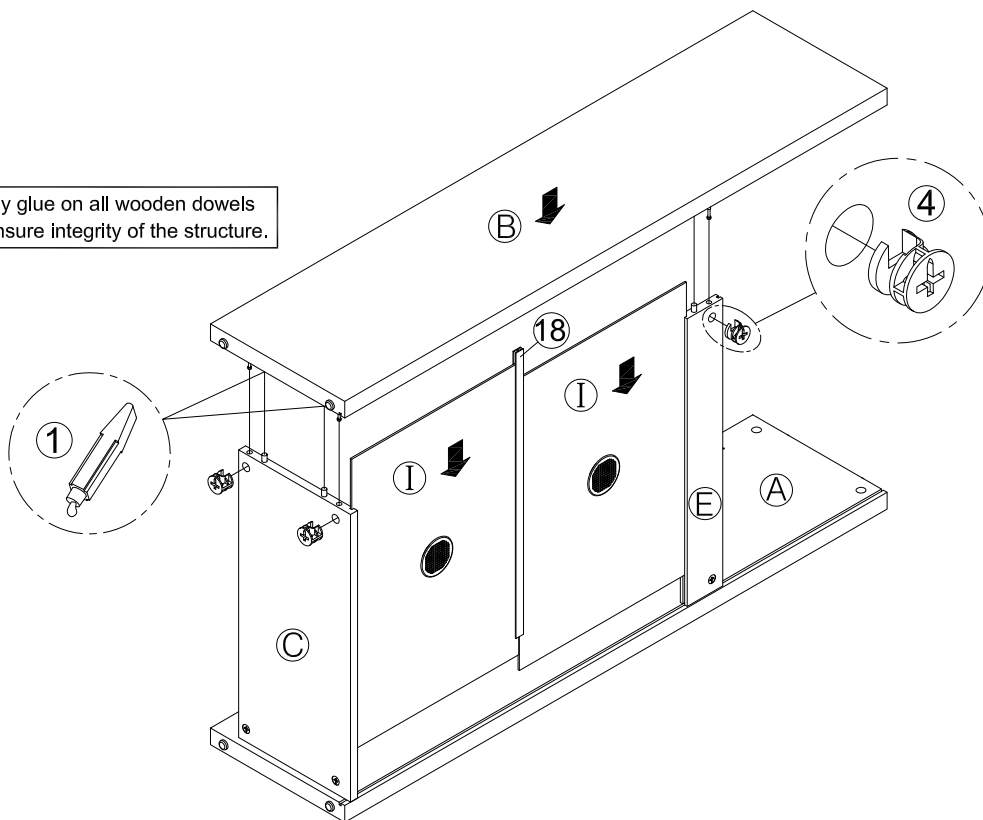
STEP 7 :



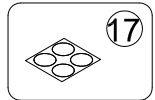
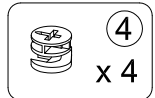
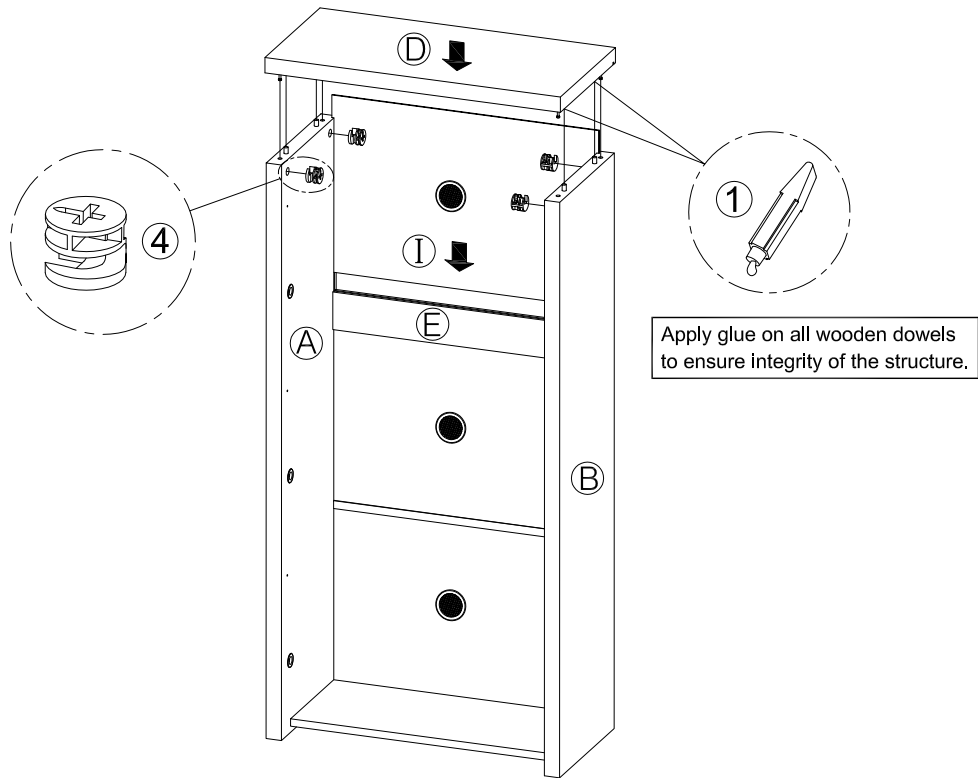
STEP 8 :



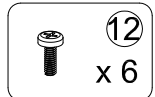
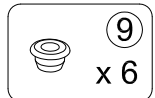
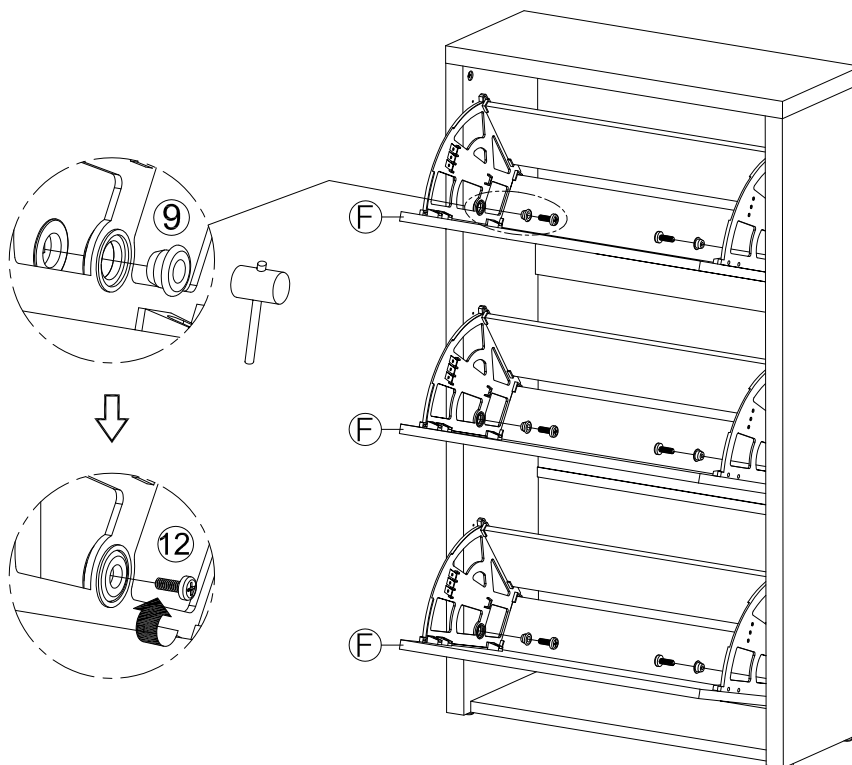
Apply glue on all wooden dowels to ensure integrity of the structure.



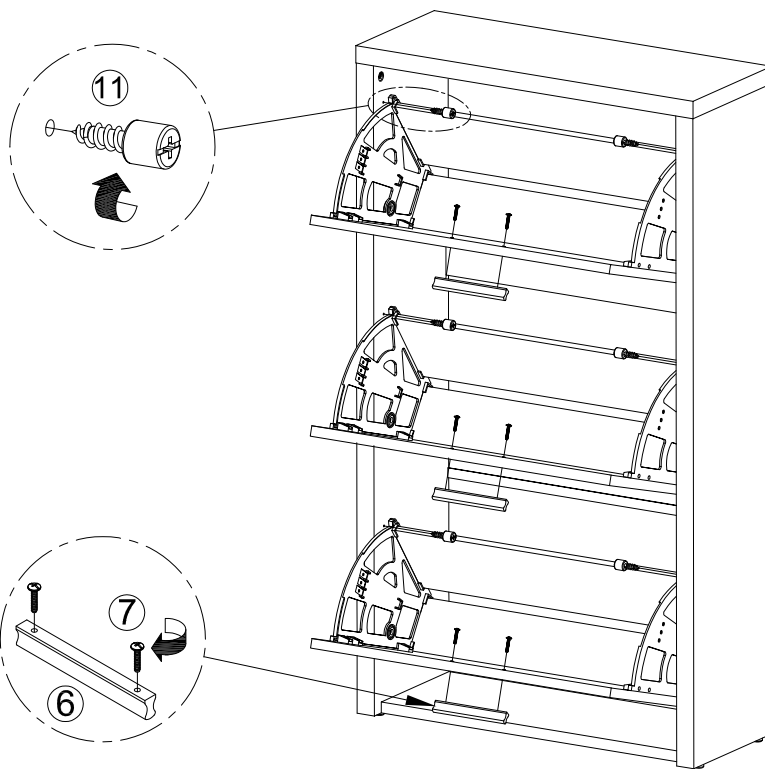
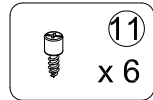
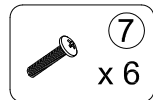
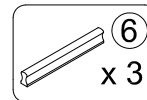
STEP 9 :



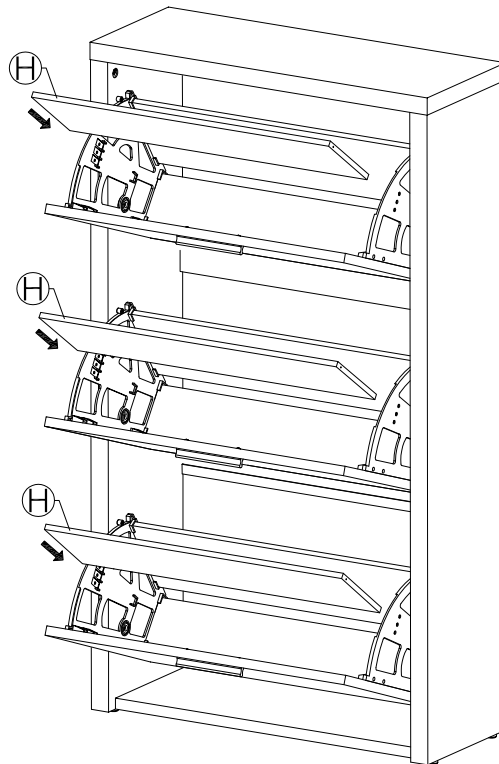
STEP 10 :



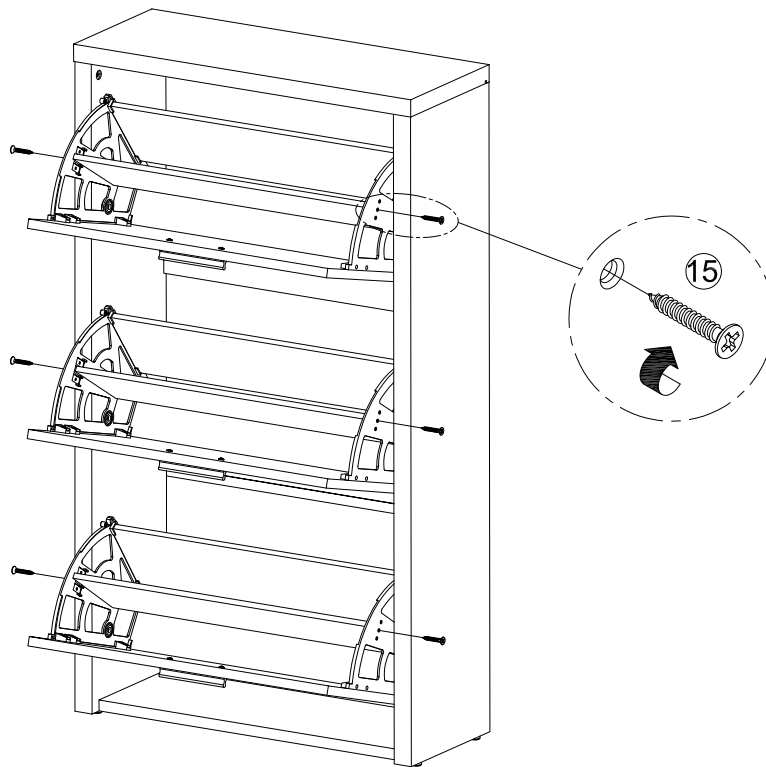
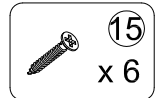
STEP 11 :



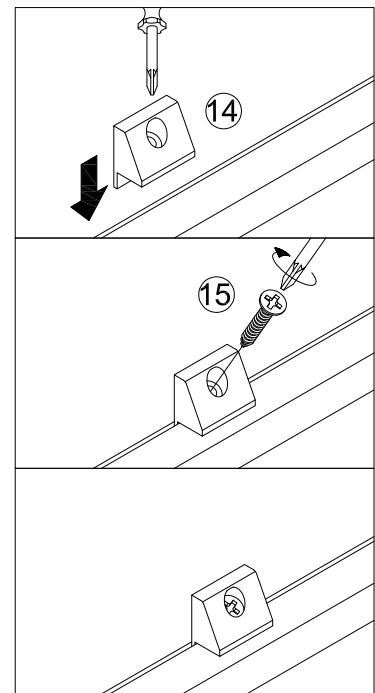
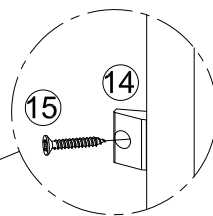
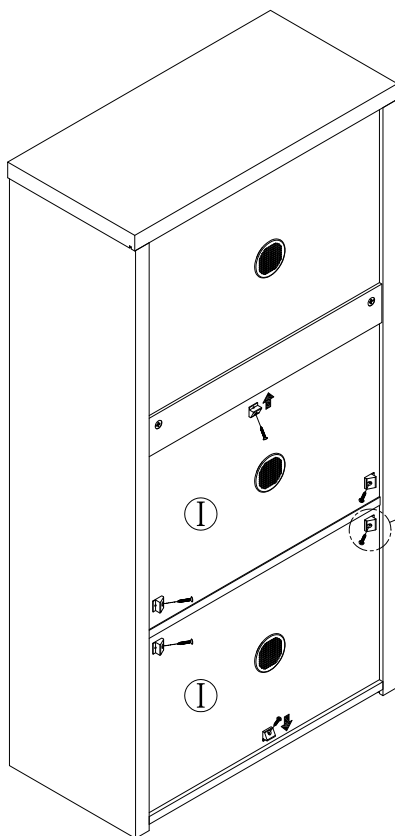
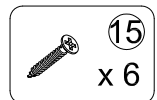
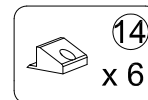
STEP 12 :



STEP 13 :



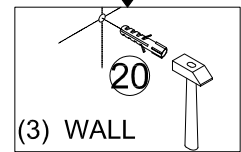
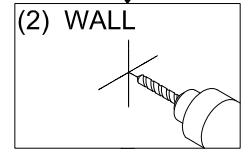
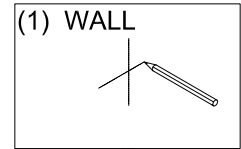
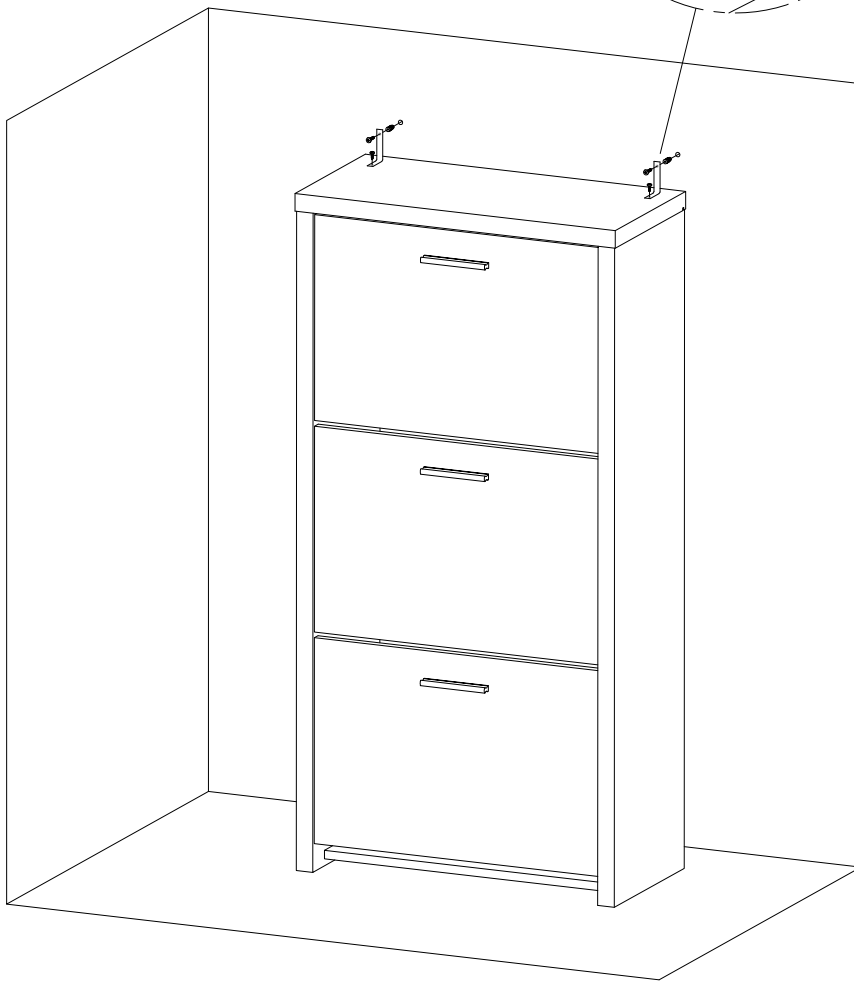
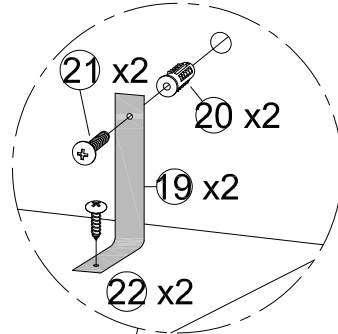
STEP 14 :



STEP 15 :

ATTENTION: ANTI TIPPING SAFEGUARD

Please install the anti-tipping hardware as shown in the drawing.
This can help to prevent any tipping issues.



FURNITURE TIPPING RESTRAINT

WARNING

Injury may result from tipping furniture

This restraint is not a substitute for proper adult supervision.
This restraint may provide protection against tipping furniture.

Do not allow children to climb on furniture.

Failure to detach this restraint before moving furniture may
result in injury and damage

