

**COASTER**<sup>®</sup>  
FINE FURNITURE

**720878**

**COFFEE TABLE**

**ASSEMBLY INSTRUCTION**  
**COASTER FINE FURNITURE**



**[www.coastercompany.com](http://www.coastercompany.com)**

ASSEMBLY INSTRUCTION

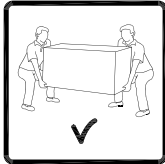
ASSEMBLY TIPS:

- 1.Remove hardware from box and sort by size.
- 2.Please check to see that all hardware and parts are present prior to start of assembly.
- 3.Please follow attached instructions in the same sequence as numbered to assure fast & easy assembly.



Warning !

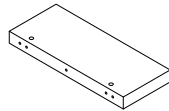
- 1.Don't attempt to repair or modify parts that are broken or defective.Please contact the store immediately.
- 2.This product is for home use only and not intended for commercial establishment.



ASSEMBLY TIME PER UNIT: 30 MINUTES

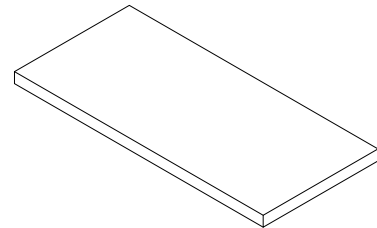
PARTS IDENTIFICATION:

(A) SIDE PANEL



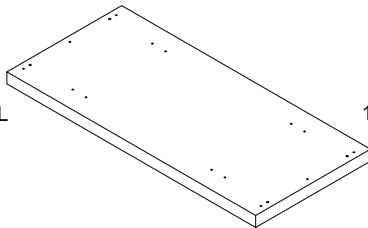
2 PCS

(C) TOP PANEL



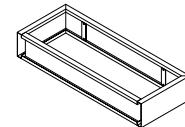
1 PC

(B) BOTTOM PANEL

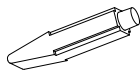

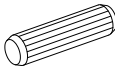

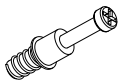


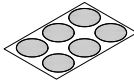
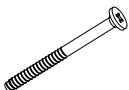


1 PC

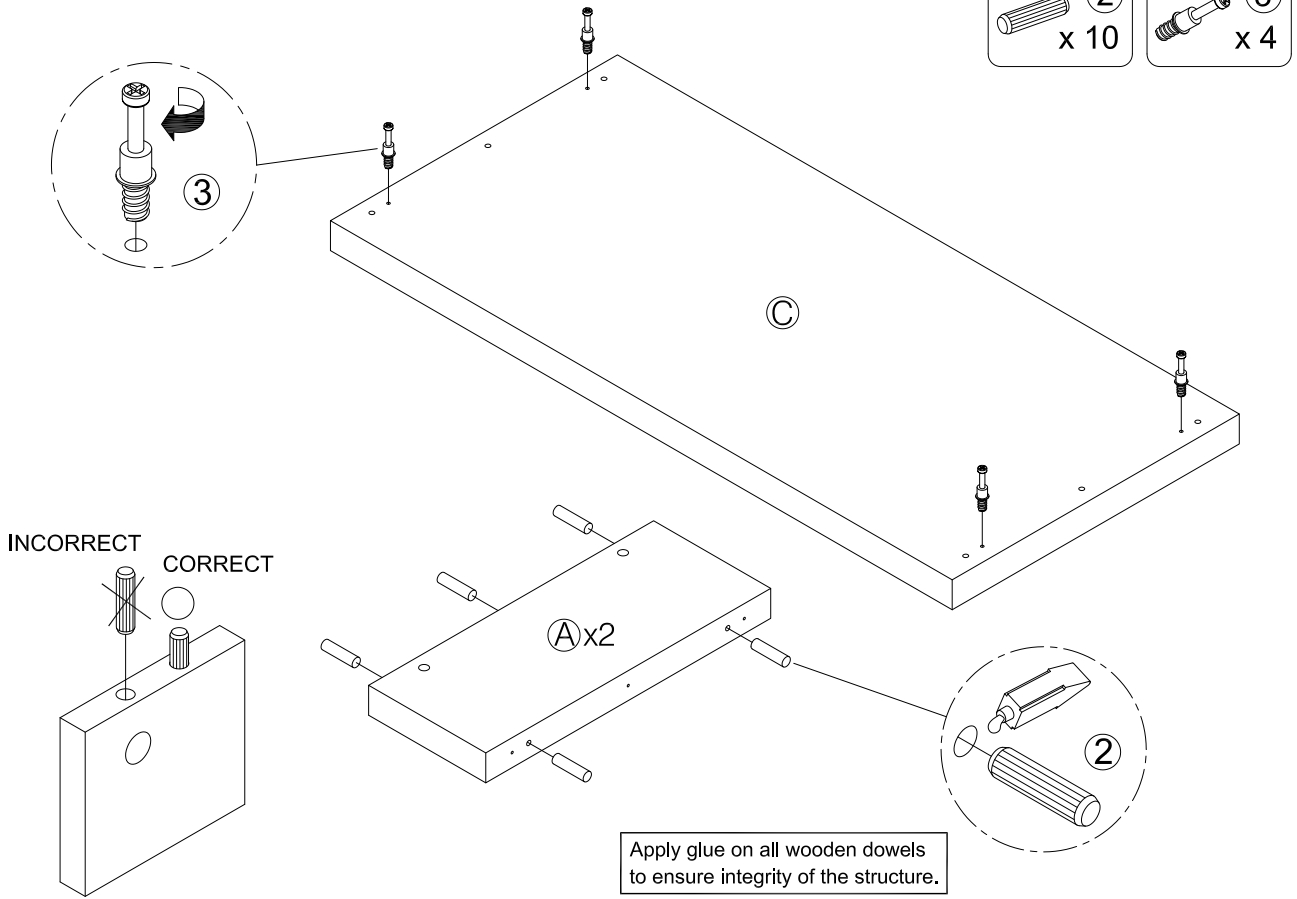
(D) METAL FRAME



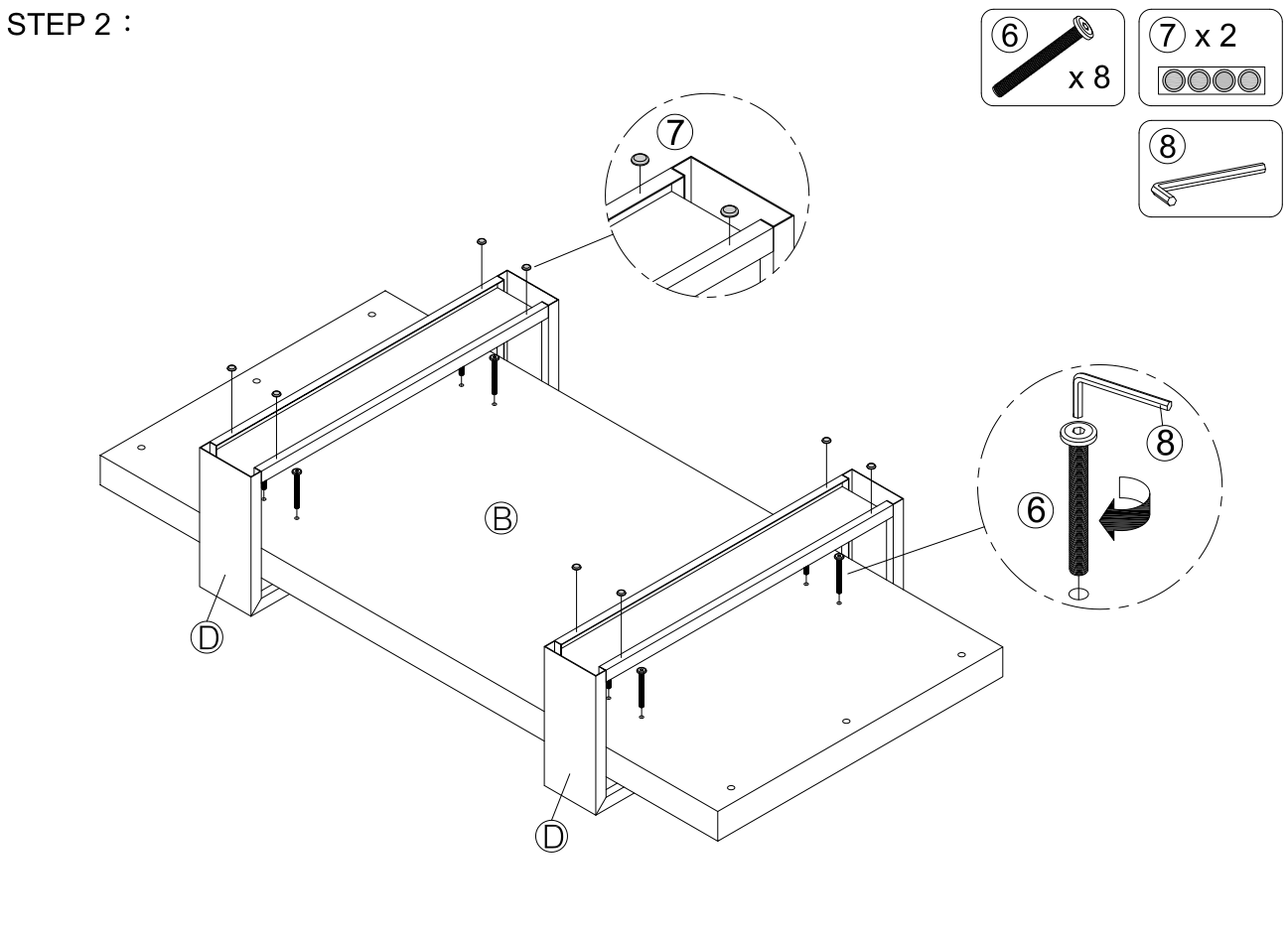
2 PCS

| Z HARDWARE PACKAGE |                         |   |        |    |                                 |   |       |
|--------------------|-------------------------|---|--------|----|---------------------------------|---|-------|
| NO                 | DESCRIPTION             | FIGURE  | Q'TY   | NO | DESCRIPTION                     | FIGURE  | Q'TY  |
| 1                  | GLUE 15g                |  | 1 PC   | 6  | BOLT M6x63mm                    |  | 8 PCS |
| 2                  | WOODEN DOWEL<br>ø8x30mm |  | 10 PCS | 7  | FILLING PIECE<br>ø15mm x 4 HOLE |  | 2 PCS |
| 3                  | CAM BOLT ø7x35.5mm      |  | 4 PCS  | 8  | ALLEN WRENCH                    |  | 1 PC  |
| 4                  | CAM LOCK ø15x12mm       |  | 4 PCS  | 9  | STICKER ø20mm                   |  | 1 PC  |
| 5                  | BOLT ø9.5x55mm          |  | 6 PCS  |    |                                 |   |       |

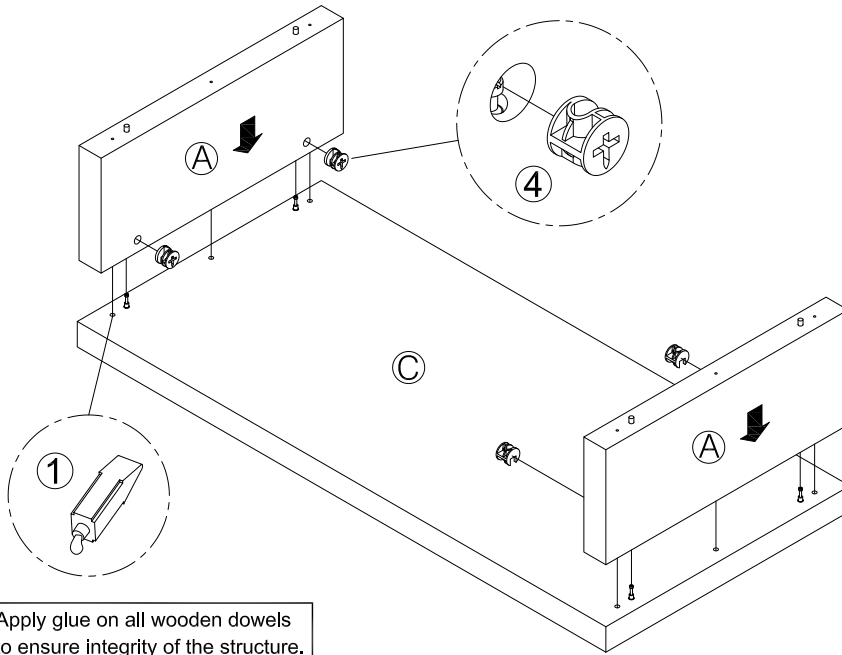
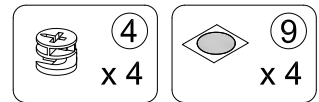
STEP 1 :



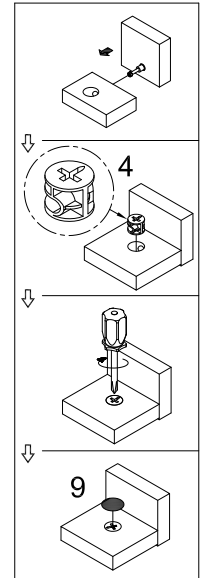
STEP 2 :



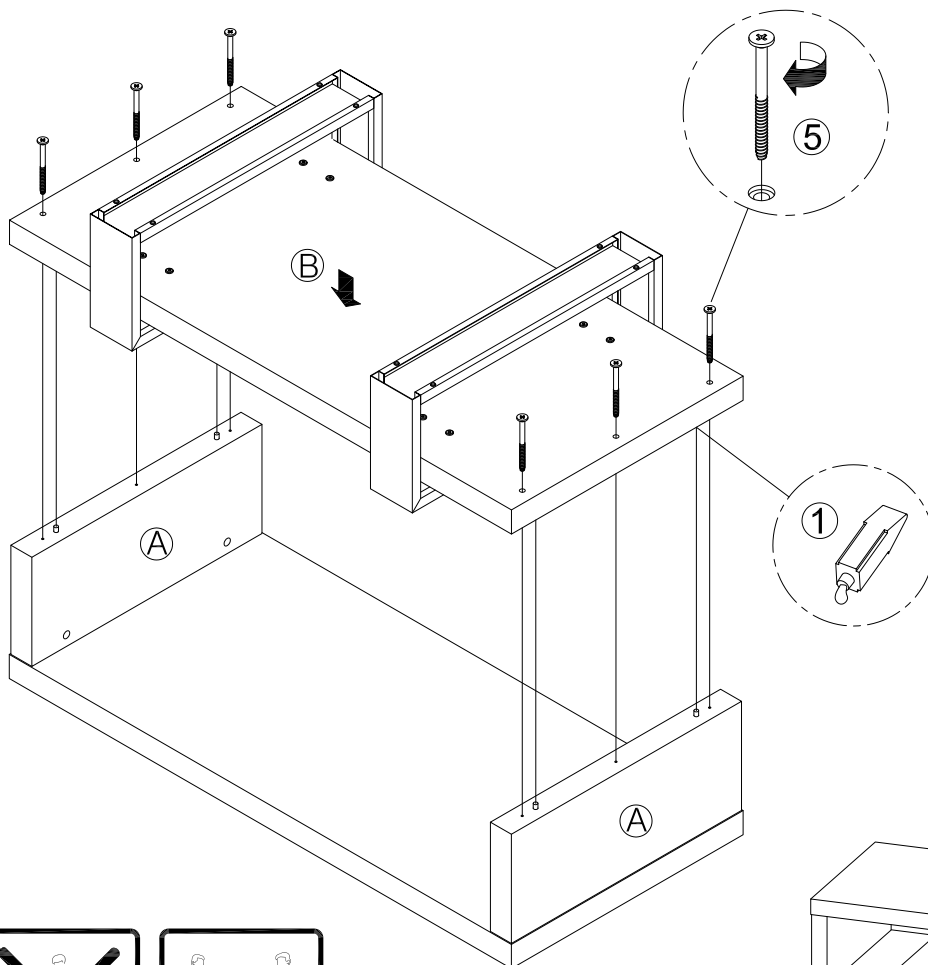
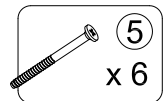
STEP 3 :



Apply glue on all wooden dowels to ensure integrity of the structure.



STEP 4 :



FINISH

