



508280 SECTIONAL

ASSEMBLY INSTRUCTION
COASTER FINE FURNITURE



WWW.COASTERCOMPANY.COM

Assembly Instruction

ASSEMBLY TIPS:

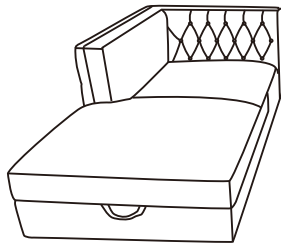
- 1.Remove hardware from box and sort by size.
- 2.Please check to see that all hardware and parts are present prior to start of assembly
- 3.Please follow attached instruction in the same sequence as numbered to assure fast & easy assembly

Warning!

- 1.Do not attempt to repair or modify parts that are broken or defective. Please contact the store immediately.
- 2.This product is for home use only and not intended for commercial establishment.

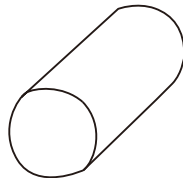
PARTS IDENTIFICATION:

(A) LAF CHAISE



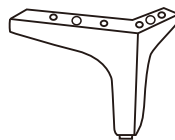
1 PC

(C) LUMBAR PILLOW





1 PC

(D) LEG



4 PCS

HARDWARE PACKAGE:

NO	DESCRIPTION	FIGURE	Q'TY
1	BOLTS 5×30MM		16PCS
2	WASHER M6×10×1.5MM		16PCS

Assembly Instruction

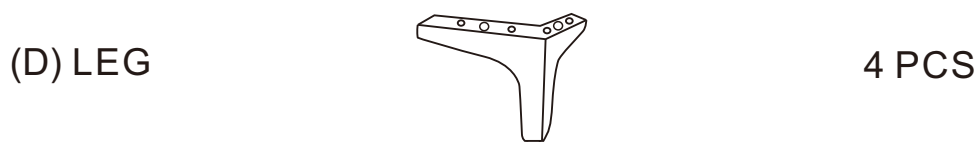
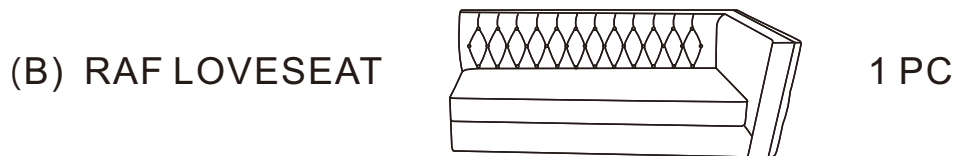
ASSEMBLY TIPS:

- 1.Remove hardware from box and sort by size.
- 2.Please check to see that all hardware and parts are present prior to start of assembly
- 3.Please follow attached instruction in the same sequence as numbered to assure fast & easy assembly



Warning!

- 1.Do not attempt to repair or modify parts that are broken or defective. Please contact the store immediately.
- 2.This product is for home use only and not intended for commercial establishment.

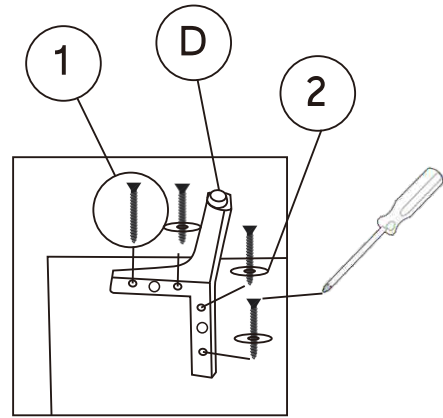
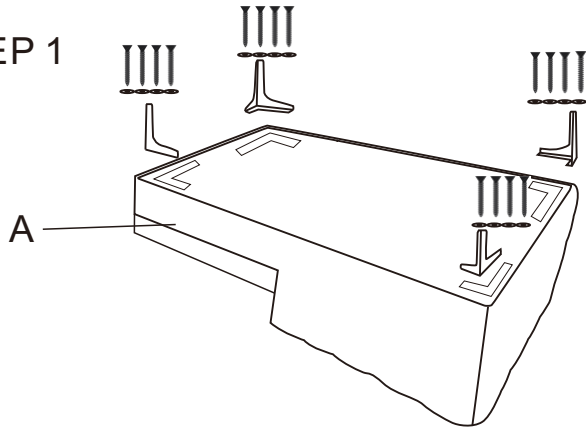
PARTS IDENTIFICATION:



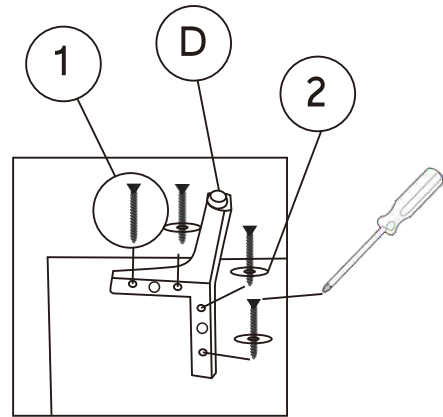
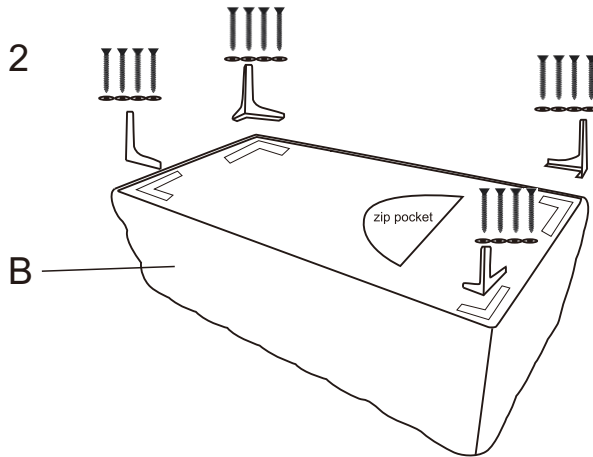
HARDWARE PACKAGE:

NO	DESCRIPTION	FIGURE	Q'TY
1	BOLTS 5×30MM		16PCS
2	WASHER M6×10×1.5MM		16PCS

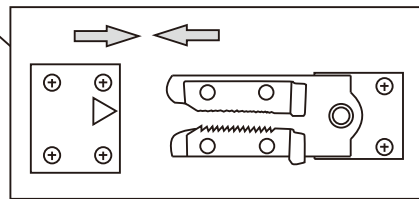
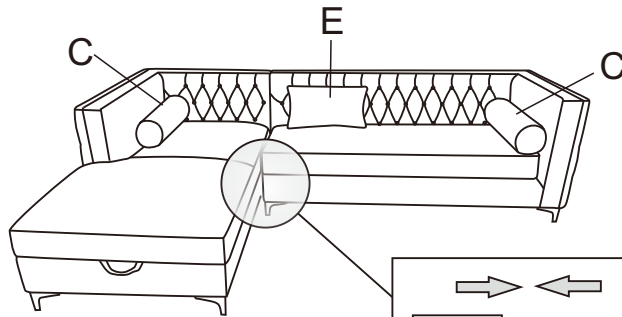
STEP 1



STEP 2



STEP 3



STEP 4

