



501170

REVERSIBLE SECTIONAL W/ STORAGE OTTOMAN

ASSEMBLY INSTRUCTION
COASTER FINE FURNITURE



www.coastercompany.com

2018/03/29

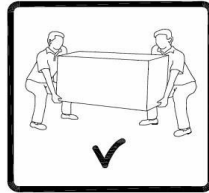
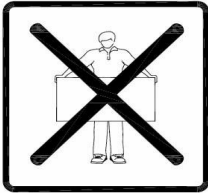
ASSEMBLY INSTRUCTION

ASSEMBLY TIPS :

1. Remove hardware from box and sort by size.
2. Please check to see that all hardware and parts are present prior to start of assembly.
3. Please follow attached instruction in the same sequence as numbered to assure fast & easy assembly.

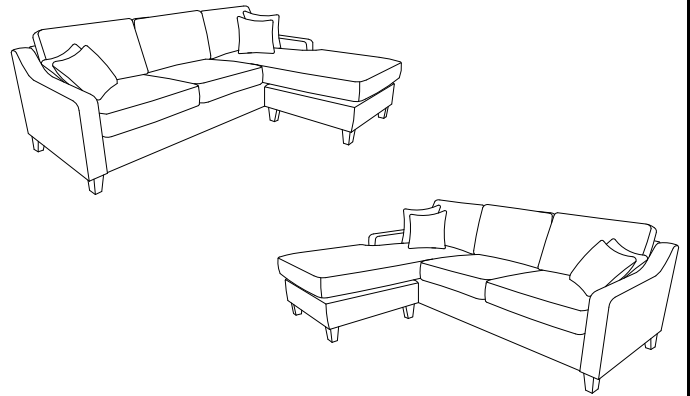
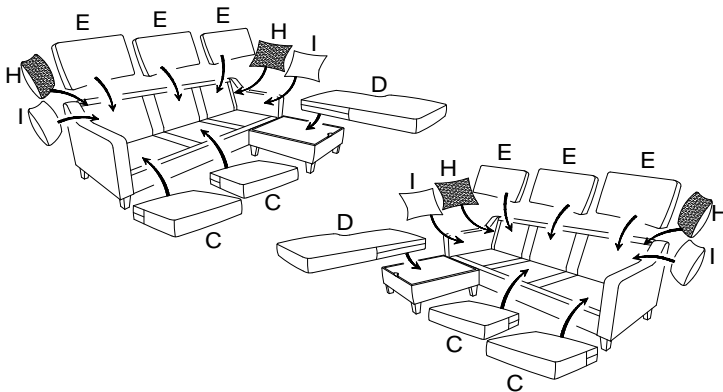
Warning !

1. Don't attempt to repair or modify parts that are broken or defective. Please contact the store immediately.
2. This product is for home use only and not intended for commercial establishment.



ASSEMBLY TIME PER UNIT: 10 MINUTES

PARTS IDENTIFICATION

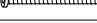
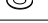




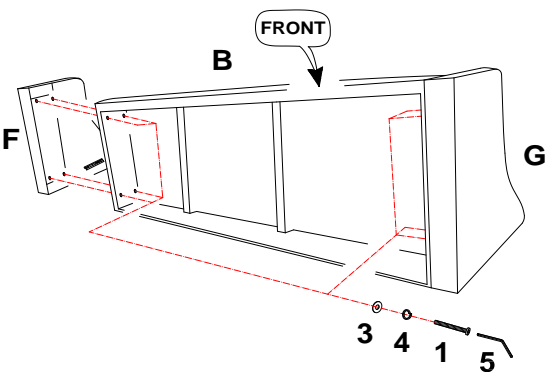
- | | | | |
|---|--------------------|--|------|
| A | BACK FRAME | | 1PC |
| B | SEAT FRAME | | 1PC |
| C | SMALL SEAT CUSHION | | 2PCS |
| D | LARGE SEAT CUSHION | | 1PC |
| E | BACK CUSHION | | 3PCS |
| F | LEFT ARM FRAME | | 1PC |
| G | RIGHT ARM FRAME | | 1PC |
| H | PATTERNED PILLOW | | 2PCS |
| I | PLAIN PILLOW | | 2PCS |
| J | LEG | | 8PCS |
| K | OTTOMAN | | 1PC |

Z HARDWARE PACKAGE			
NO	DESCRIPTION	FIGURE	QTY
1	LONG BOLT 5/16" * 3 "		8PCS
2	MEDIUM BOLT 5/16" * 2-1/2 "		8PCS
3	FLAT WASHER 5/16" * 19mm		9 PCS+1PC SPARE
4	LOCK WASHER 5/16" * 13mm		9 PCS+1PC SPARE
5	ALLEN KEY M5		1PC
6	PLASTIC CAPS Ø 19.5*21.5mm		8PCS
7	SHORT BOLT 5/16" * 1-3/8 "		1PC

STEP 1 → 2 → 3 → 4 → 5 → 6 → 7

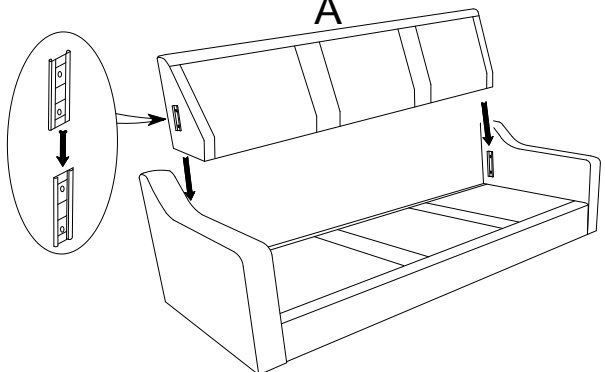
STEP 1

1		X 8	3		X 8
4		X 8	5		X 1

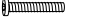





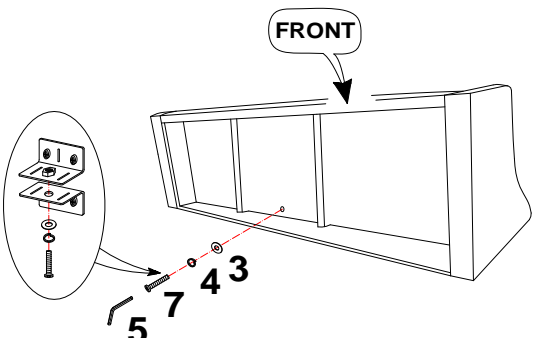
STEP 2

It takes 2 persons to assemble the back frame

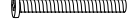



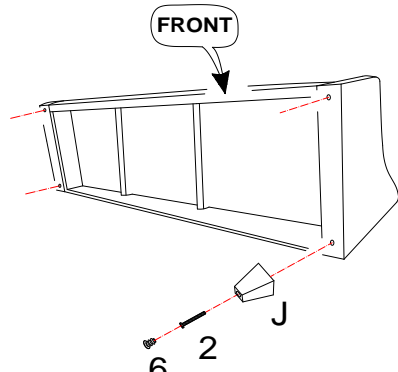
STEP 3

7		X 1	3		X 1
4		X 1	5		X 1

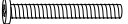



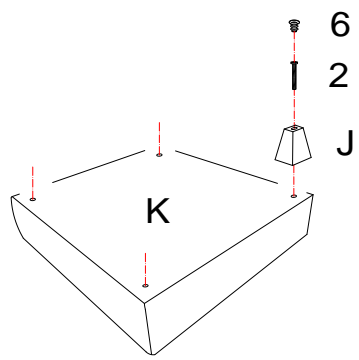
STEP 4

2		X 4	6		X 4
---	---	-----	---	---	-----

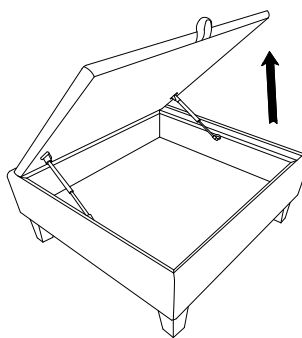


STEP 5

2		X 4	6		X 4
---	---	-----	---	---	-----



STEP 6



STEP 7

