

COASTER®

Fine Furniture

500727

SECTIONAL BED

ASSEMBLY INSTRUCTION

COASTER FINE FURNITURE



www.coastercompany.com

2014/3/4

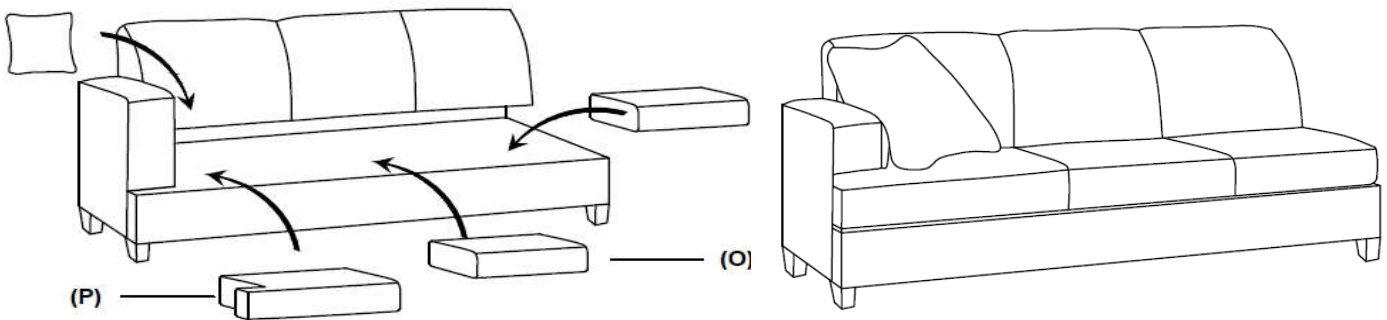
ASSEMBLY INSTRUCTION

ASSEMBLY TIPS :


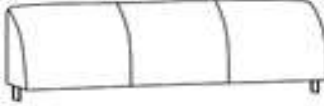
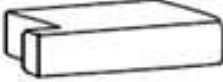
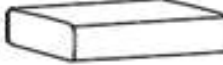


1. Remove hardware from box and sort by size.
2. Please check to see that all hardware and parts are present prior to start of assembly.
3. Please follow attached instruction in the same sequence as numbered to assure fast & easy assembly.

⚠ Warning !

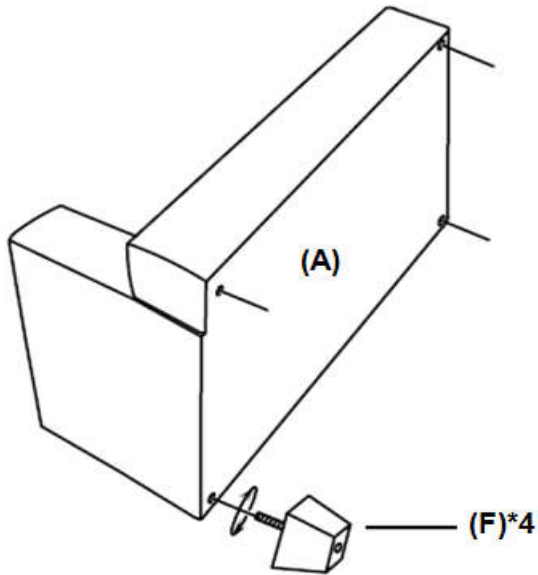
1. Don't attempt to repair or modify parts that are broken or defective. Please contact the store immediately.
2. This product is for home use only and not intended for commercial establishment.



PARTS IDENTIFICATION

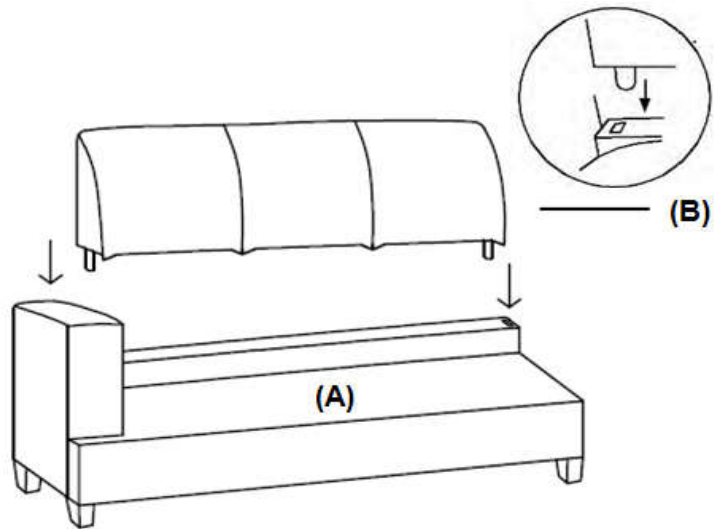
A	Sofa base		1 PC
B	Sofa back		1 PC
C	Sofa left seat cushion		1 PC
D	Seat cushion		2 pcs
E	Pillow		1 PC
F	Legs		4 pcs

Step 1



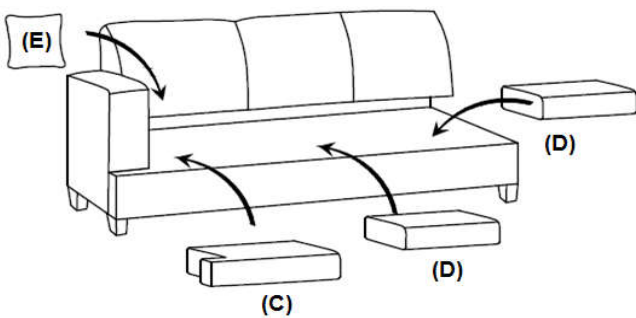
Screw the legs (F) onto sofa sleeper (A).

Step 2



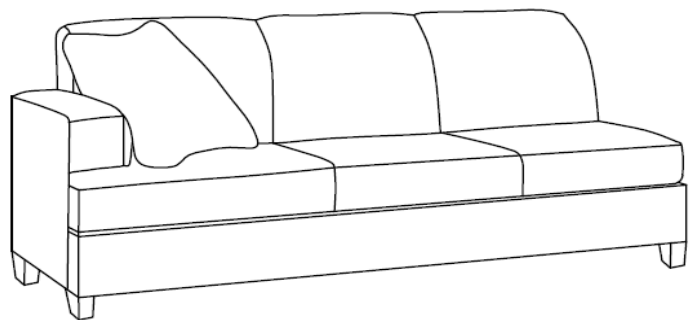
Fix the back (B) onto sofa sleeper (A).

Step 3



Put on seat cushion (C) & (D) and pillow (E).

Step 4



Completed SOFA SLEEPER construction.

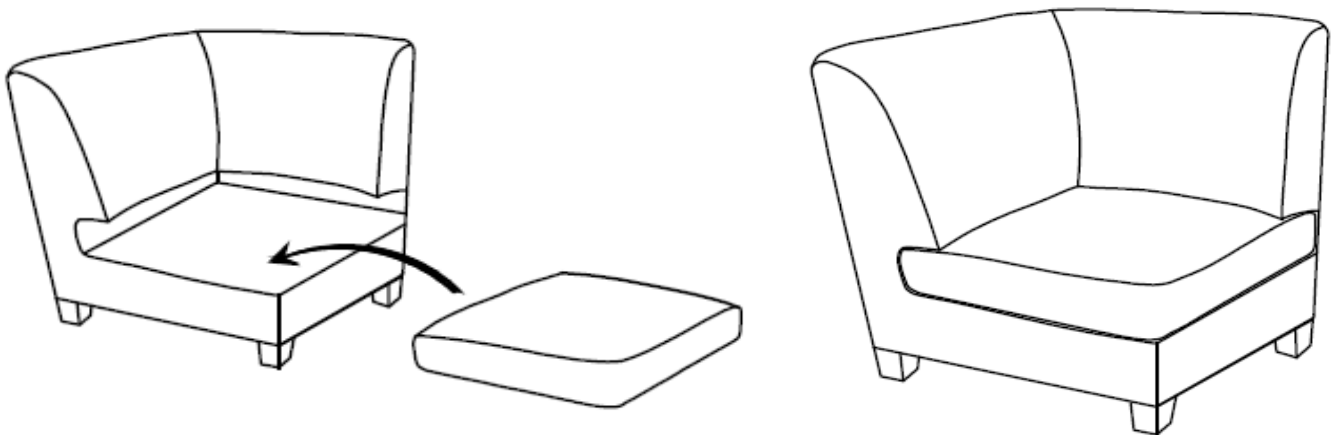
ASSEMBLY INSTRUCTION

ASSEMBLY TIPS:


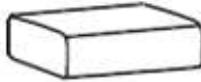


1. Remove hardware from box and sort by size.
2. Please check to see that all hardware and parts are present prior to start of assembly.
3. Please follow attached instruction in the same sequence as numbered to assure fast & easy assembly.

⚠ Warning!

1. Don't attempt to repair or modify parts that are broken or defective. Please contact the store immediately.
2. This product is for home use only and not intended for commercial establishment.

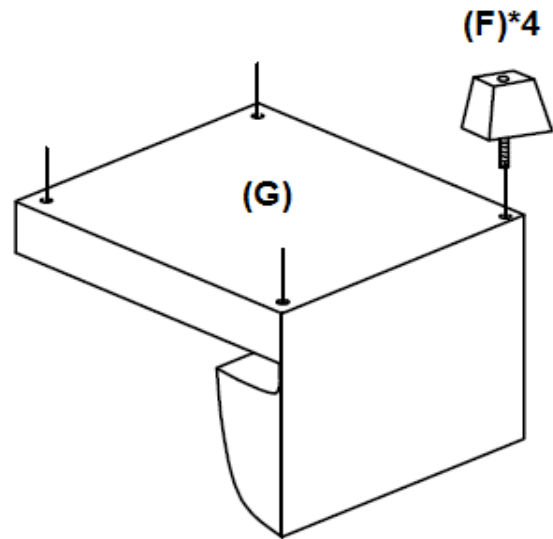


PARTS IDENTIFICATION

G	Corner base		1 PC
H	Corner seat cushion		1 PC
E	Pillow		1 PC
F	Legs		4 pcs

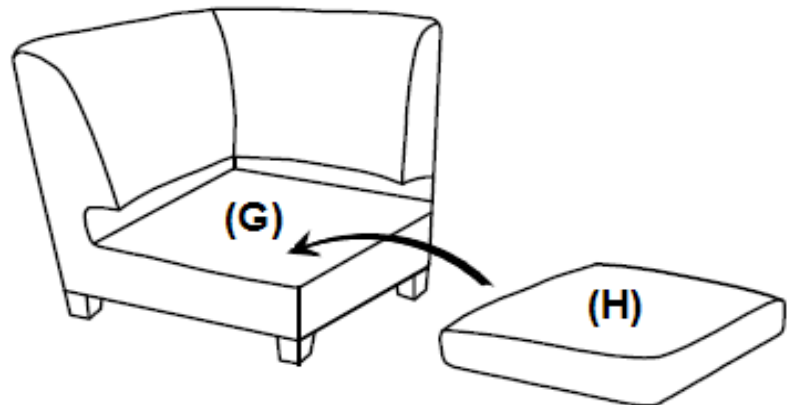
Step 1

Screw the legs (F) onto corner (G)



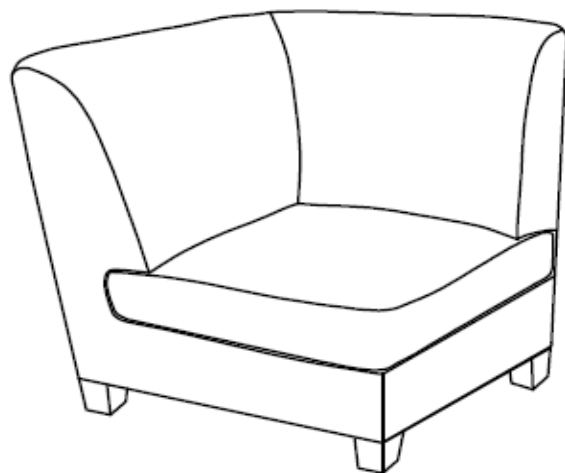
Step 2

Put on seat cushion (H)



Step 3

Completed CORNER construction



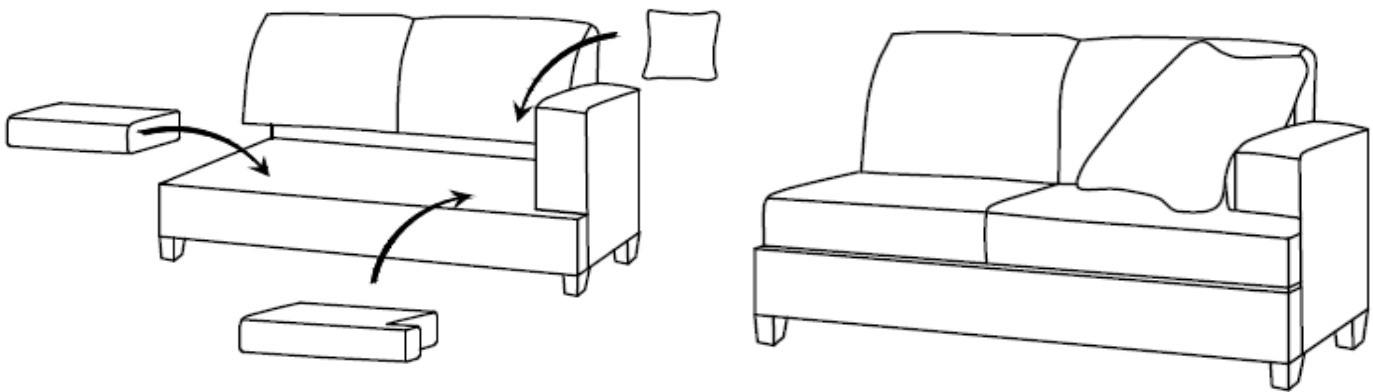
ASSEMBLY INSTRUCTION

ASSEMBLY TIPS :

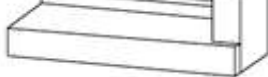
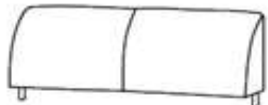

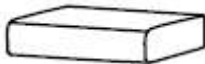
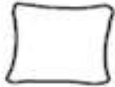

1. Remove hardware from box and sort by size.
2. Please check to see that all hardware and parts are present prior to start of assembly.
3. Please follow attached instruction in the same sequence as numbered to assure fast & easy assembly.

⚠ Warning !

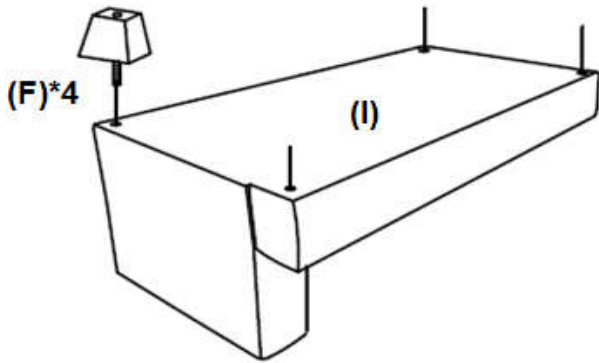
1. Don't attempt to repair or modify parts that are broken or defective. Please contact the store immediately.
2. This product is for home use only and not intended for commercial establishment.



PARTS IDENTIFICATION

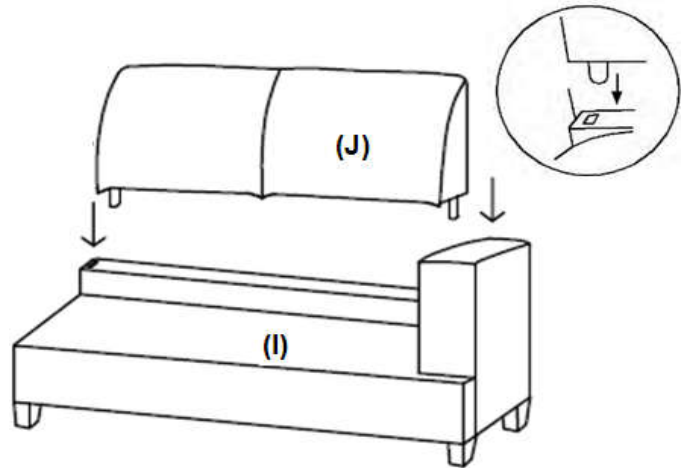
I	Loveseat Base		1 PC
J	Loveseat Back		1 PC
K	Loveseat Right Seat Cushion		1 PC
D	Seat Cushion		1 PC
E	Pillow		1 PC
F	Legs		4 pcs

Step 1



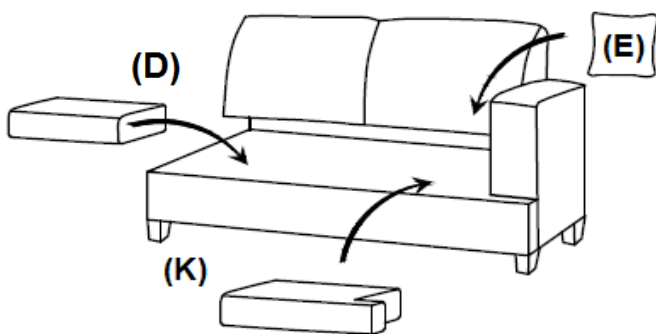
Screw the legs (F) onto loveseat (I)

Step 2



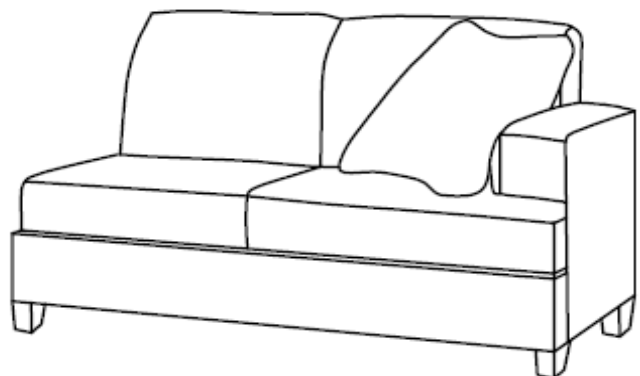
Fix the back (J) onto loveseat (I)

Step 3



Put the seat cushion (D) & (K) and pillow (E)

Step 4



Completed LOVESEAT construction

