

COASTER[®]
FINE FURNITURE

460078

FULL/FULL BUNKBED

ASSEMBLY INSTRUCTION
COASTER FINE FURNITURE



www.coastercompany.com

06/10/2013

ASSEMBLY INSTRUCTIONS

ASSEMBLY TIPS:

1. Remove hardware from box and sort by size.
2. Please check to see that all hardware and parts are present prior to start of assembly.
3. Please follow attached instructions in the same sequence as numbered to assure fast & easy assembly.



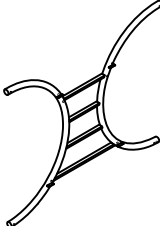
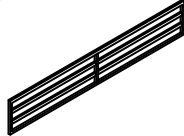
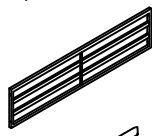


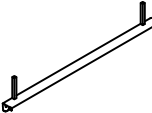
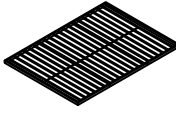
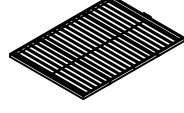

Warning !



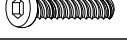


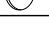


1. Don't attempt to repair or modify parts that are broken or defective . Please contact the store immediately.
2. This product is for home use only and not intended for commercial establishment.

PARTS IDENTIFICATION

Z

HARDWARE PACKAGE

A	FRONT AND BACK FRAME		2PCS
B	FRONT AND BACK GUARDRAIL		2PCS
C	SIDES GUARDRAIL		2PCS
D	TOP CROSS TUBE		2PCS
E	SUPPORT		4PCS
F	BOTTOM CROSS TUBE		2PCS
G	UPPER BASE FRAME		1PC
H	LOWER BASE FRAME		1PC
I	SUPPORT LEGS		4PCS

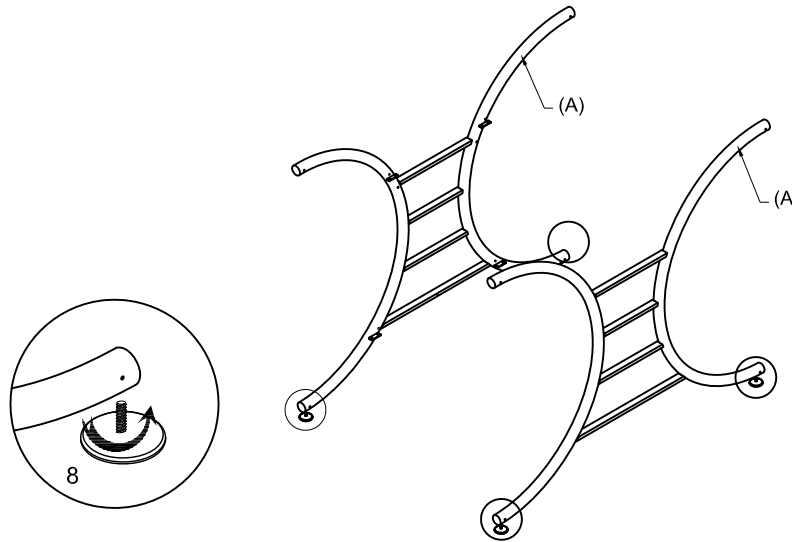
NO	DESCRIPTION	FIGURE	Q`TY
1	BOLT 1/4"X3"		12pcs
2	BOLT 1/4"X2 ¹ / ₄ "		4pcs
3	BOLT 1/4"X1 ³ / ₄ "		4pcs
4	BOLT 1/4"X1 ¹ / ₂ "		22pcs
5	BOLT 1/4"X5/8"		26pcs
6	WASHER		60pcs
7	ALLEN WRENCH		1pc
8	ADJUSTABLE LEVELER		4pcs

ASSEMBLY





Do not fully tighten all bolts until assembly is complete. This will help all parts to assemble properly.

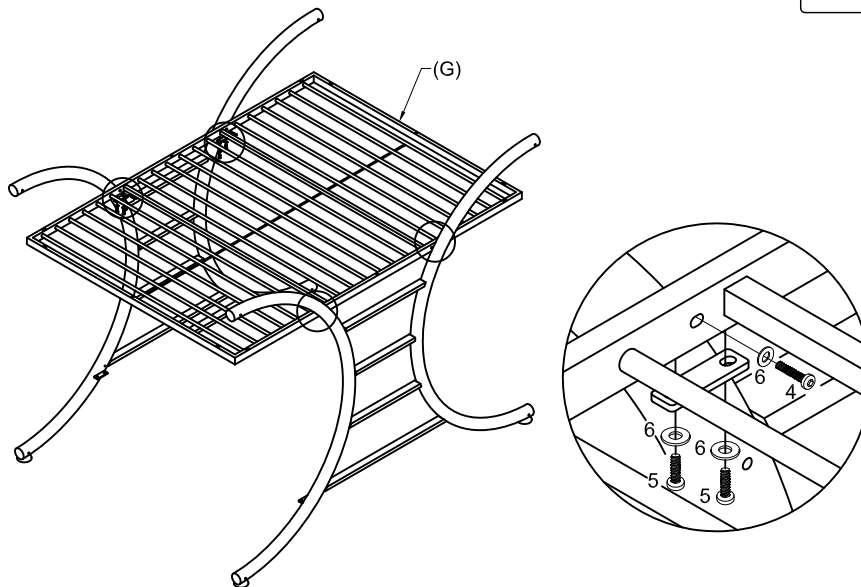
8		4PCS
---	---	------

STEP 1: Align and attach the bottom adjustable leveler to the front and back frame.






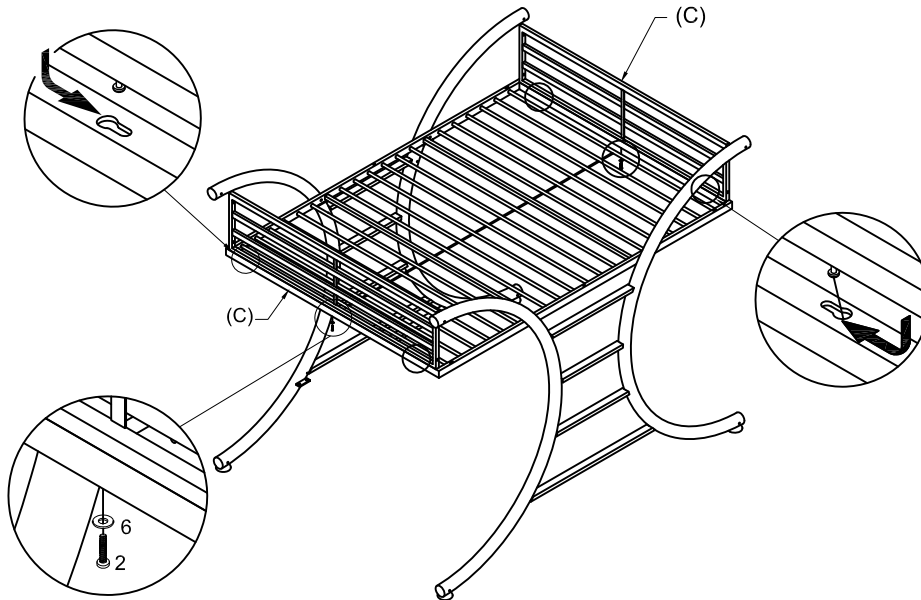
STEP 2: Align and attach the upper base frame to the front and back frame by using bolt, washer and tighten with the allen wrench. (Note: follow the drawing for the which size bolt to use).

4		4PCS
5		8PCS
6		12PCS
7		







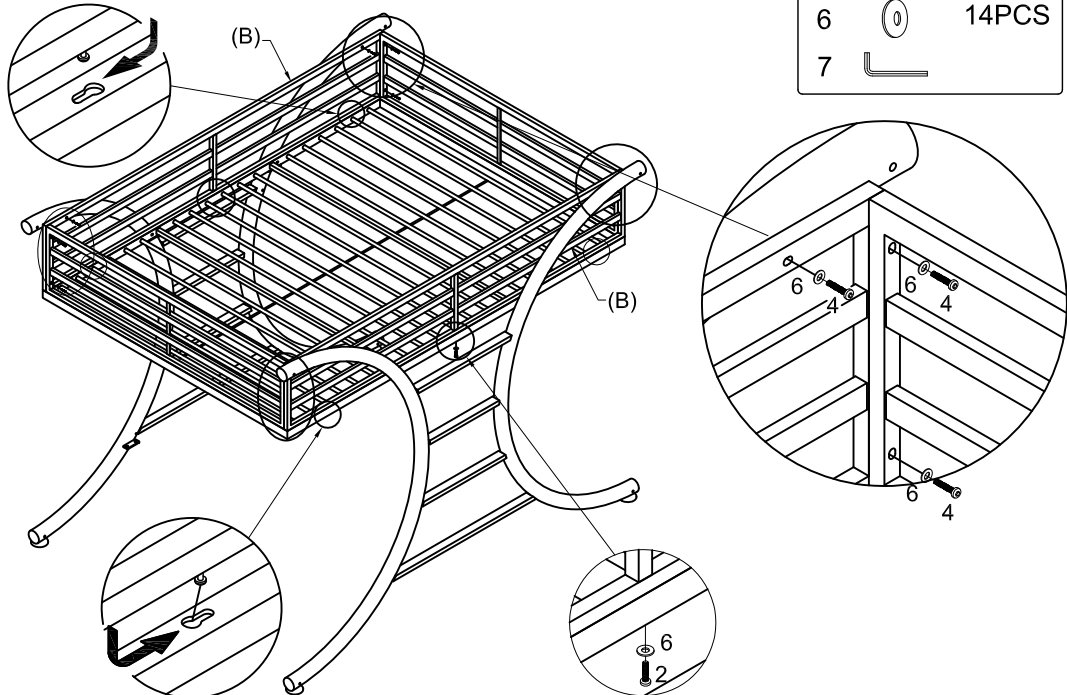
STEP 3:Align and attach the side guardrail to the upper bed by using the bolt, washer and tighten with the allen wrench.

2		2PCS
6		2PCS
7		







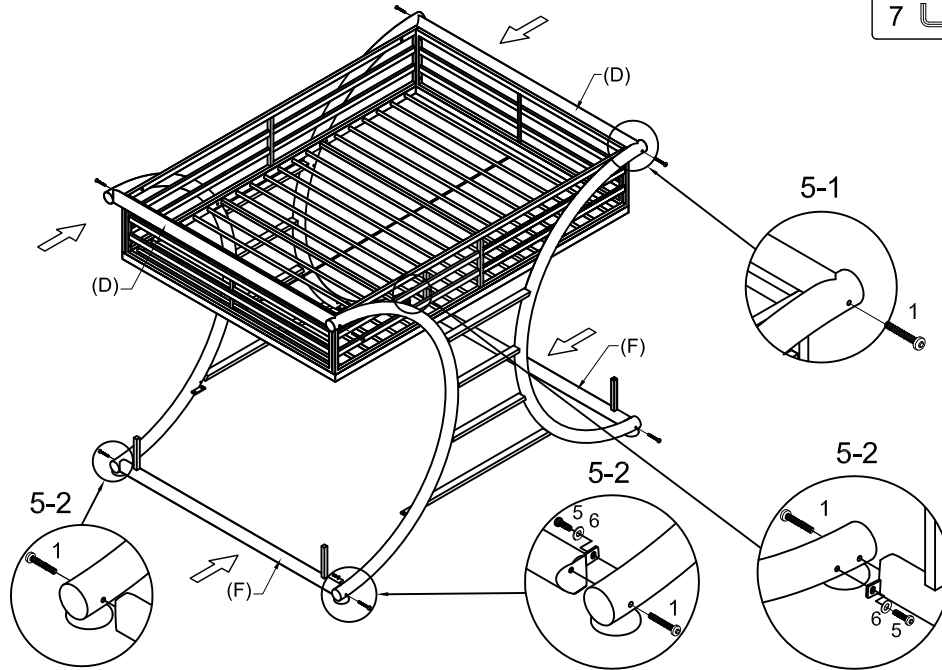
STEP 4:Align and attach the front and back guardrail to the upper bed by using bolt, washer and tighten with the allen wrench. (Note: follow the drawing for the which size bolt to use).

2		2PCS
4		12PCS
6		14PCS
7		






STEP 5: Align and attach the top and bottom cross tube to the front and back frame by using the bolt (1), washer and tighten with the allen wrench.

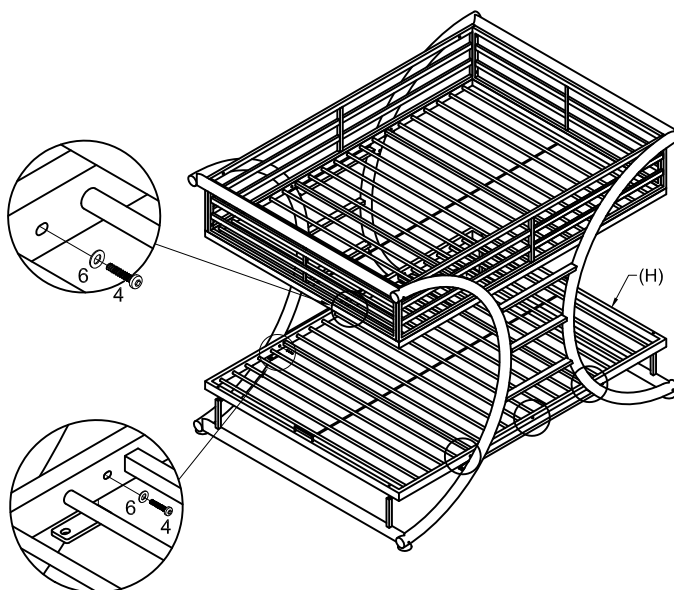
1		8PCS
5		2PCS
6		2PCS
7		







NOTE:PLEASE TIGHTEN THESE 6 BOLTS IN THIS STEP.

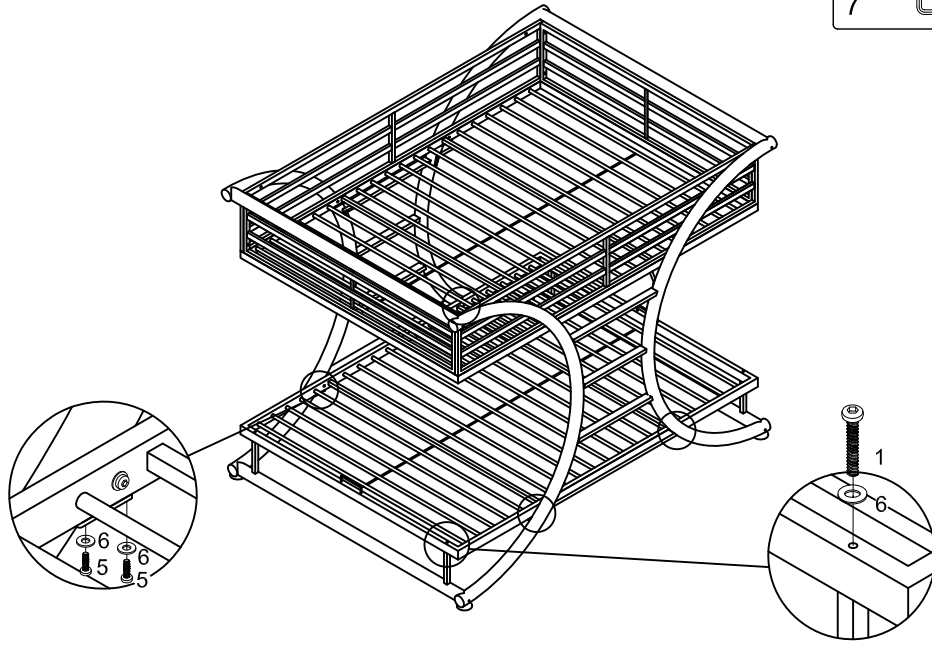
STEP 6:Align and attach the lower base frame to the front and back frame by using bolt, washer and tighten with the allen wrench. (Note: follow the drawing for the which size bolt to use).

4		6PCS
6		6PCS
7		







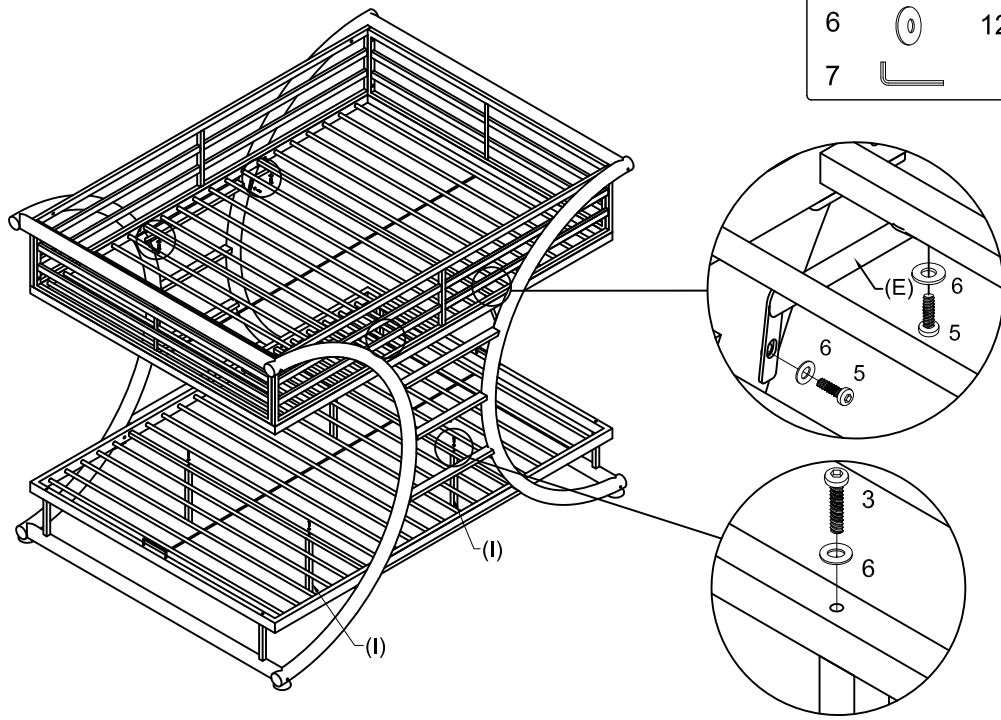
STEP 7:Align and attach the support legs to the lower base frame by using the bolt (3), washer and tighten with the allen wrench.

- | | | |
|---|---|-------|
| 1 |  | 4PCS |
| 5 |  | 8PCS |
| 6 |  | 12PCS |
| 7 |  | |



STEP 8:Align and attach the support to the front and back frame and upper base frame by using the bolt (5), washer and tighten with the allen wrench.

- | | | |
|---|---|-------|
| 3 |  | 4PCS |
| 5 |  | 8PCS |
| 6 |  | 12PCS |
| 7 |  | |



Safety Warnings

1. Follow the information on the warnings appearing on the upper bunk end structure and on the carton . Do not remove warning label from bed.
2. Always use the recommended size mattress or mattress support, or both, to help prevent the likelihood of entrapment or falls.
3. Surface of mattress must be at least 5 in(127mm). below the upper edge of guardrails .
4. Do not allow children under 6 years of age to use the upper bunk.
5. Periodically check and ensure that the guardrail, ladder ,and other components are in their proper position ,free from damage ,and that all connectors are tight .
6. Do not allow horseplay on or under the bed and prohibit jumping on the bed.
7. Always use the ladder for entering and leaving the upper bunk.
8. Do not use substitute parts ,Contact manufacturer or dealer for replacement parts.
9. Use of a night light may provide added safety precaution for a child using the upper bunk.
10. Always use guardrails on both long sides of the upper bunk.
If the bunk bed will be placed next to the wall, the guardrail that runs the full length of the bed should be placed against the wall to prevent entrapment between the bed and the wall.
11. The use of water or sleep flotation mattress is prohibited .
12. Keep these instructions for future reference.
13. Use only mattress which is 75"X54"X6" on upper bunk and for bottom bunk required 75"X54"X8" mattress.
14. Prohibit more than one person on upper bunk.
15. Maximum total weight is not to exceed 400 lbs.on the upper bunk.

STRANGULATION HAZARD:

Never attach or hang items to any part of the bunk bed that are not designed for use with the bed, for example, but not limited to, hooks, belts, and jump ropes.