

**COASTER**<sup>®</sup>  
FINE FURNITURE

**4511**

**ROCKING CHAIR**

---

**ASSEMBLY INSTRUCTIONS  
COASTER FINE FURNITURE**



**[www.coastercompany.com](http://www.coastercompany.com)**

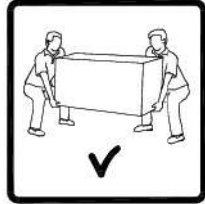
**ASSEMBLY TIPS:**

1. Remove hardware from box and sort by size.
2. Please check to see that all hardware and parts are present prior to start of assembly.
3. Please follow attached instructions in the same sequence as numbered to assure fast & easy assembly.



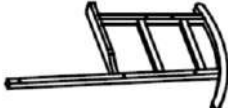



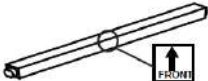
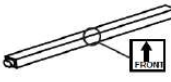
**Warning!**

1. Don't attempt to repair or modify parts that are broken or defective. Please contact the store immediately.
2. This product is for home use only and not intended for commercial establishments.





<b>ASSEMBLY TIME</b>	<b>30 MINUTES</b>
----------------------	-------------------

**PARTS IDENTIFICATION**

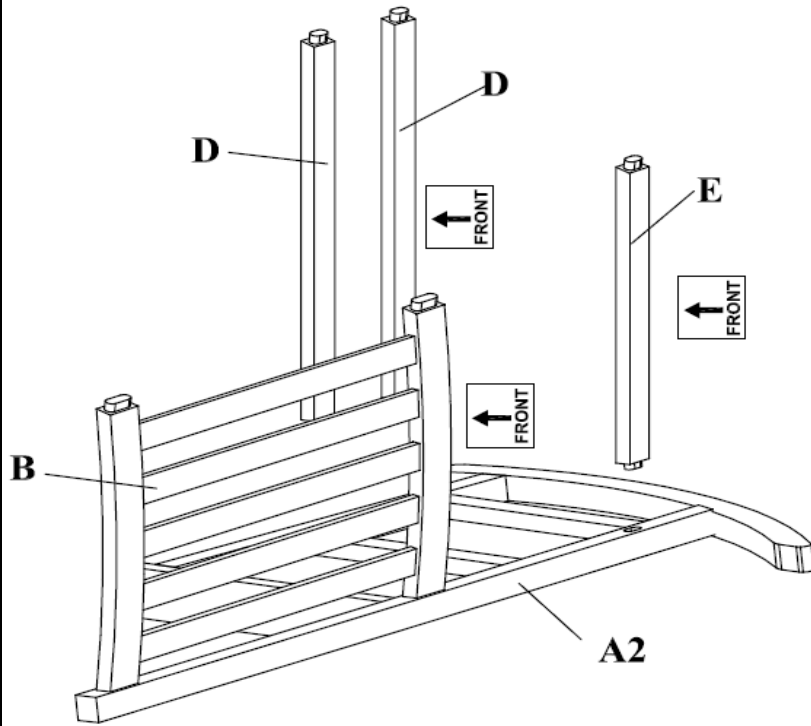
	PART NAME	FIGURE	QTY
<b>A1</b>	RIGHT SIDE FRAME		1PC
<b>A2</b>	LEFT SIDE FRAME		1PC
<b>B</b>	BACKREST		1PC
<b>C</b>	WOODEN SEAT		1PC
<b>D</b>	FRONT RAIL		2PCS
<b>E</b>	BACK RAIL		1PC

**HARDWARE IDENTIFICATION**

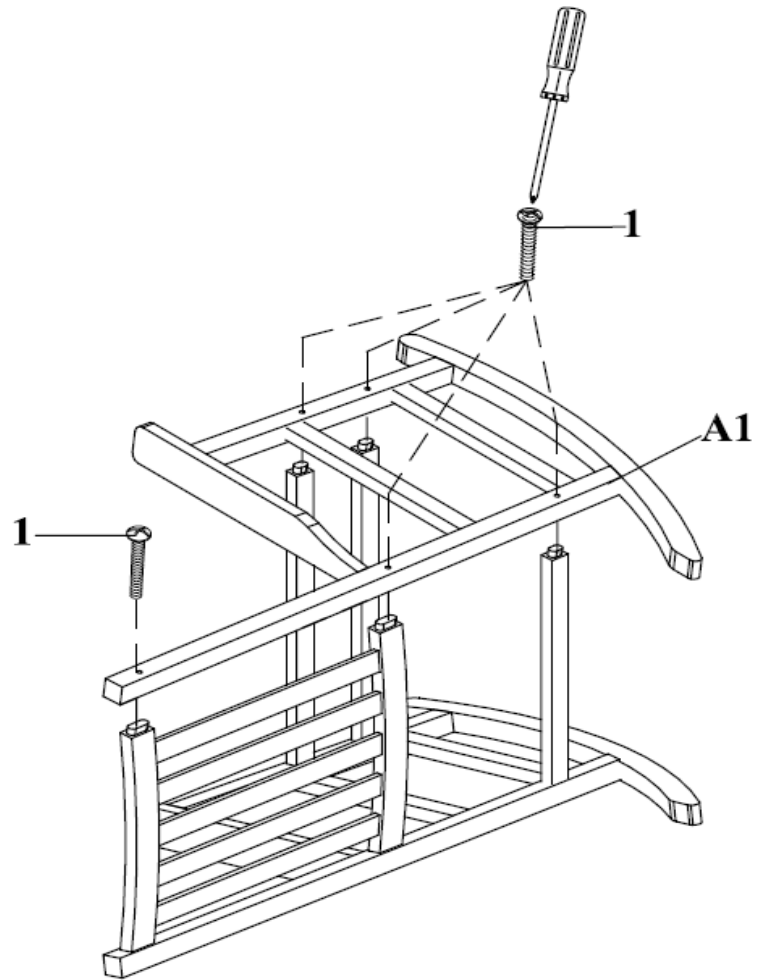
	HARDWARE NAME	FIGURE	QTY
<b>1</b>	BOLT (Φ5/16" x 1-1/4" - RBW)		10PCS
<b>2</b>	WOOD PLUG		10PCS

**NOTE: PHILLIPS HEAD SCREW DRIVER AND RUBBER MALLET ARE REQUIRED IN THE ASSEMBLY PROCESS; HOWEVER, MANUFACTURER DOES NOT PROVIDE THESE ITEMS.**

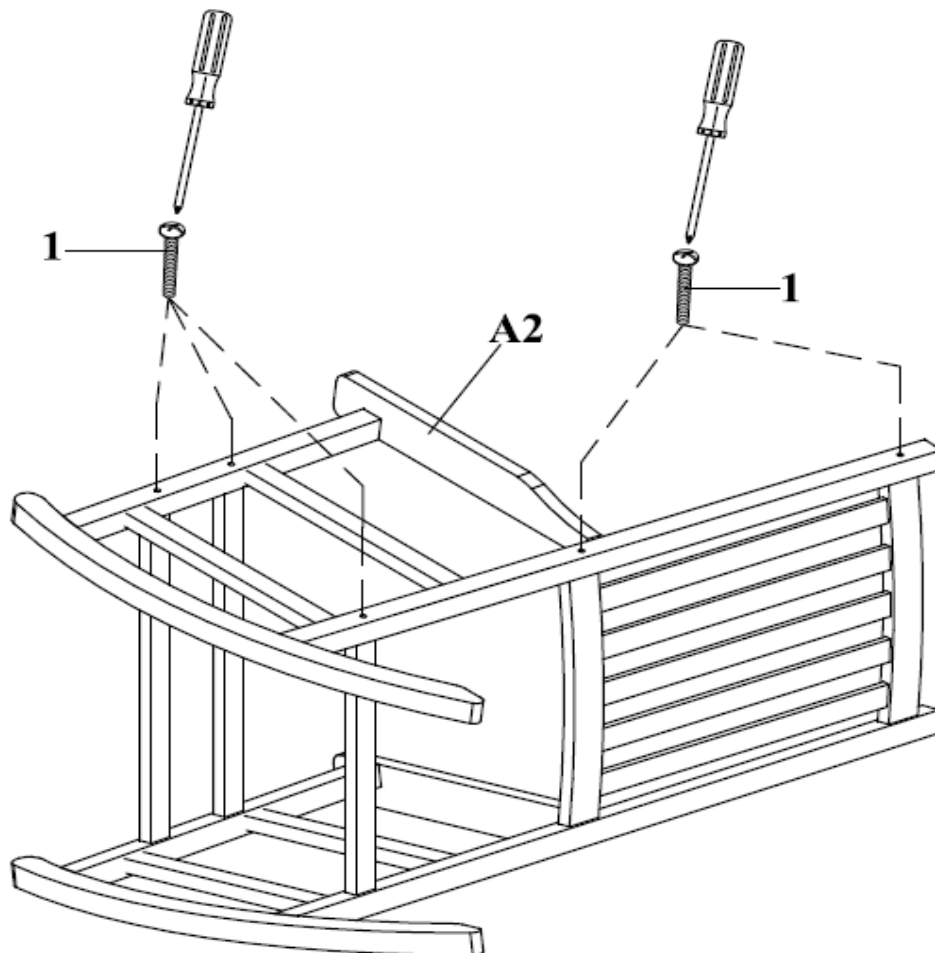
STEP 1



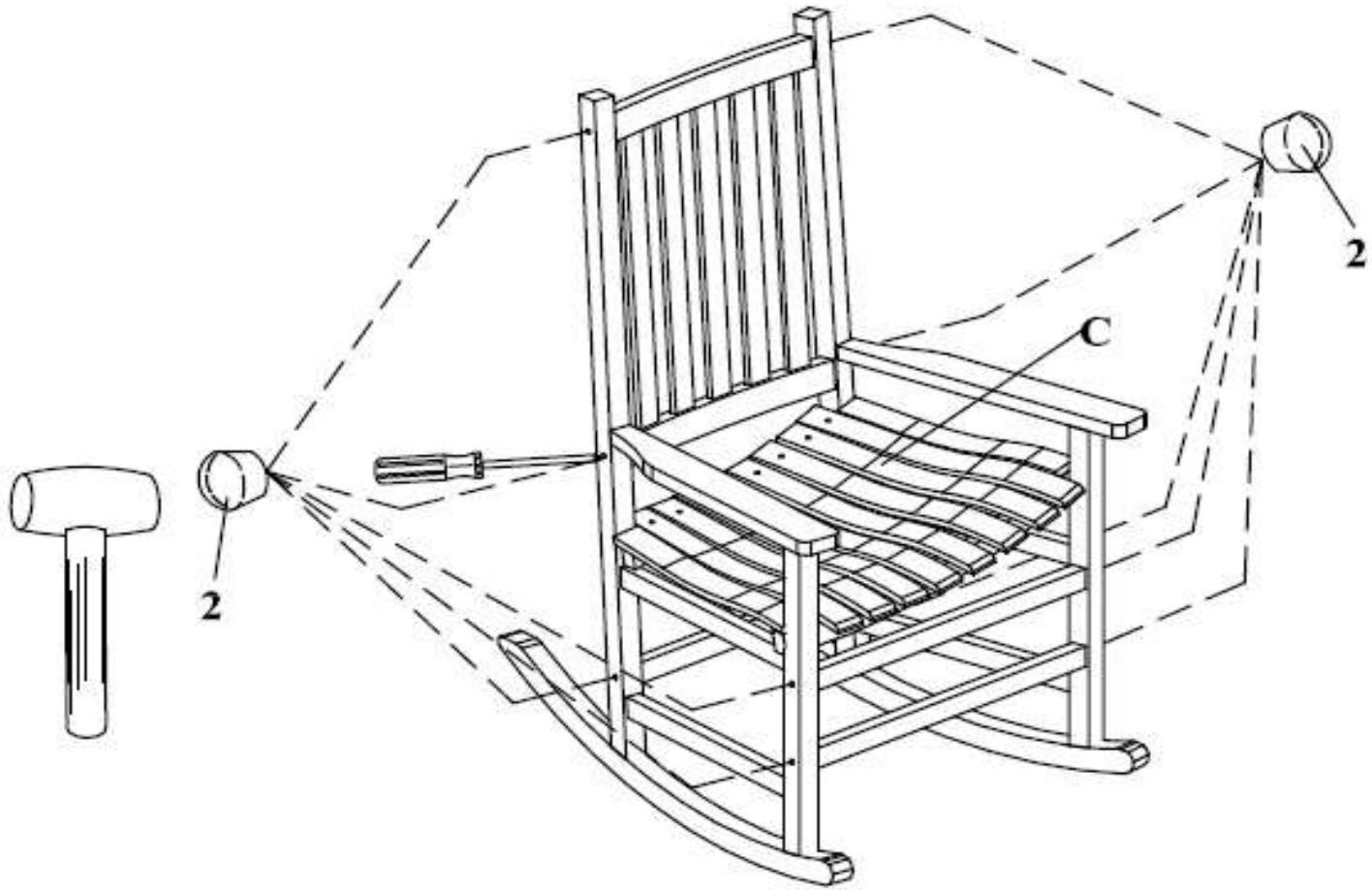
STEP 2



STEP 3



STEP 4



STEP 5  
COMPLETE

