

COASTER®

FINE FURNITURE

300260Q (B1&B2)

QUEEN SIZE BED WITH PU

ASSEMBLY INSTRUCTIONS
COASTER FINE FURNITURE



www.coastercompany.com

PAGE 1 OF 4

REVISION 0 : 06/12/2011
REVISION 1 : 09/19/2011
REVISION 2 : 02/02/2012
REVISION 3 : 07/30/2014

ASSEMBLY TIPS:

- 1.Remove hardware from box and sort by size.
- 2.Please check to see that all hardware and parts are present prior to start of assembly.
- 3.Please follow attached instructions in the same sequence as numbered to assure fast & easy assembly.

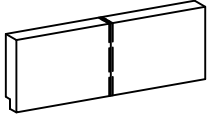
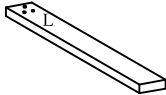
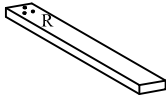


Warning!



- 1.Don't attempt to repair or modify parts that are broken or defective. Please contact the store immediately.
- 2.This product is for home use only and not intended for commercial establishment.




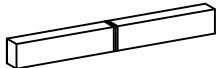
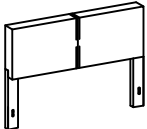
PARTS IDENTIFICATION

B1 (BOX 1)

- | | | | |
|---|---|---------------------|-----|
| A |  | HEADBOARD PANEL | 1PC |
| B |  | LEFT HEADBOARD LEG | 1PC |
| C |  | RIGHT HEADBOARD LEG | 1PC |

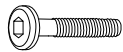


B2 (BOX 2)

- | | | | |
|---|---|-------------------------------|------|
| D |  | BED SLAT | 4PCS |
| E |  | BED SLAT SUPPORT WITH LEVELER | 4PCS |

- | | | | |
|----|--|---|------|
| F |  | BED RAIL | 2PCS |
| G |  | LEFT FOOTBOARD LEG | 1PC |
| H |  | RIGHT FOOTBOARD LEG | 1PC |
| I |  | FOOTBOARD PANEL | 1PC |
| HB |  | 300260Q (B1)
*FORM BOX 1
HEADBOARD COMPLETE | 1PC |


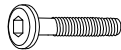


HARDWARE IDENTIFICATION

Z - B1 (BOX 1) - Hardware pack is located in 300260Q(B1)

- | | | | |
|---|---|--------------|------|
| 1 |  | BOLT | 6PCS |
| 2 |  | LOCK WASHER | 6PCS |
| 3 |  | ALLEN WRENCH | 1PC |

NOTE : PHILLIPS HEAD SCREW DRIVER IS REQUIRED IN THE ASSEMBLY PROCESS.HOWEVER,MANUFACTURER DOES NOT PROVIDE THIS ITEM.

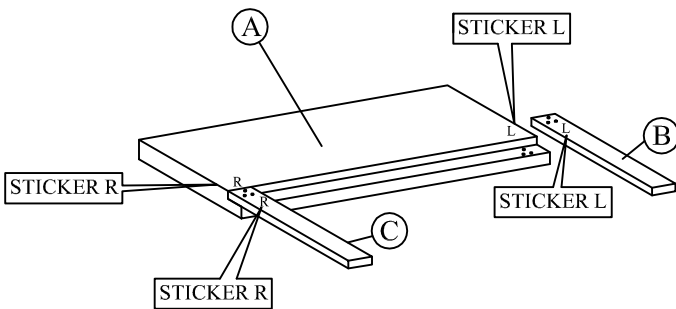
Z - B2 (BOX 2) - Hardware pack is located in 300260Q(B2)

- | | | | |
|---|--|--------------------|------|
| 4 |  | SCREW | 8PCS |
| 5 |  | BOLT | 6PCS |
| 6 |  | SMALL ALLEN WRENCH | 1PC |
| 7 |  | BIG ALLEN WRENCH | 1PC |

300260Q (B1) - BOX 1

STEP 1

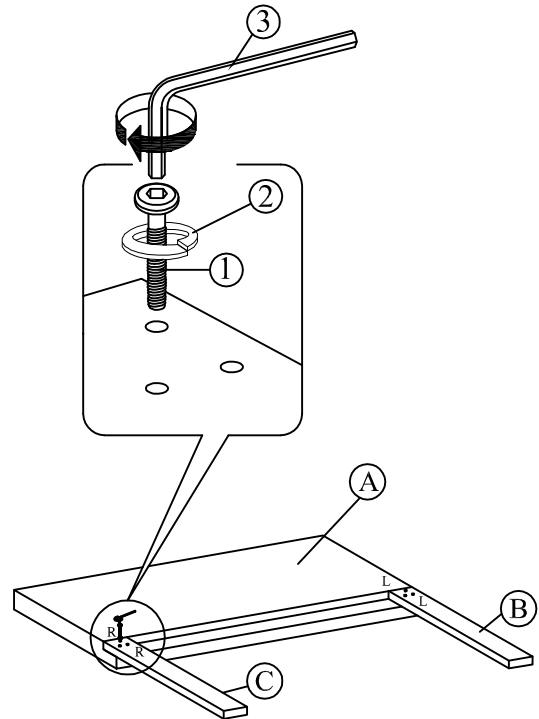
- 1.1) Place headboard panel(A) facing downward on soft surface.
- 1.2) Align & place left (B) & right (C) headboard leg onto the appointed position following the marking as per diagram shown.



**BACK VIEW

STEP 2

- Align and fasten left (B) & right (C) headboard leg to headboard panel (A) using bolt (1), lock washer (2), and tighten with Allen wrench (3).



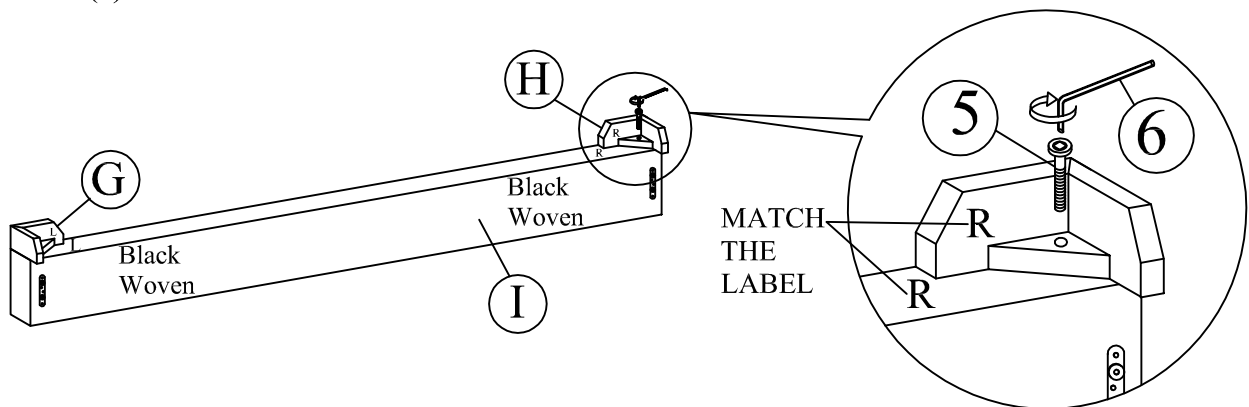
**BACK VIEW

IF PURCHASE HEADBOARD ONLY, SKIP BELOW STEPS

300260Q (B1 & B2) - BOX 1 & BOX 2

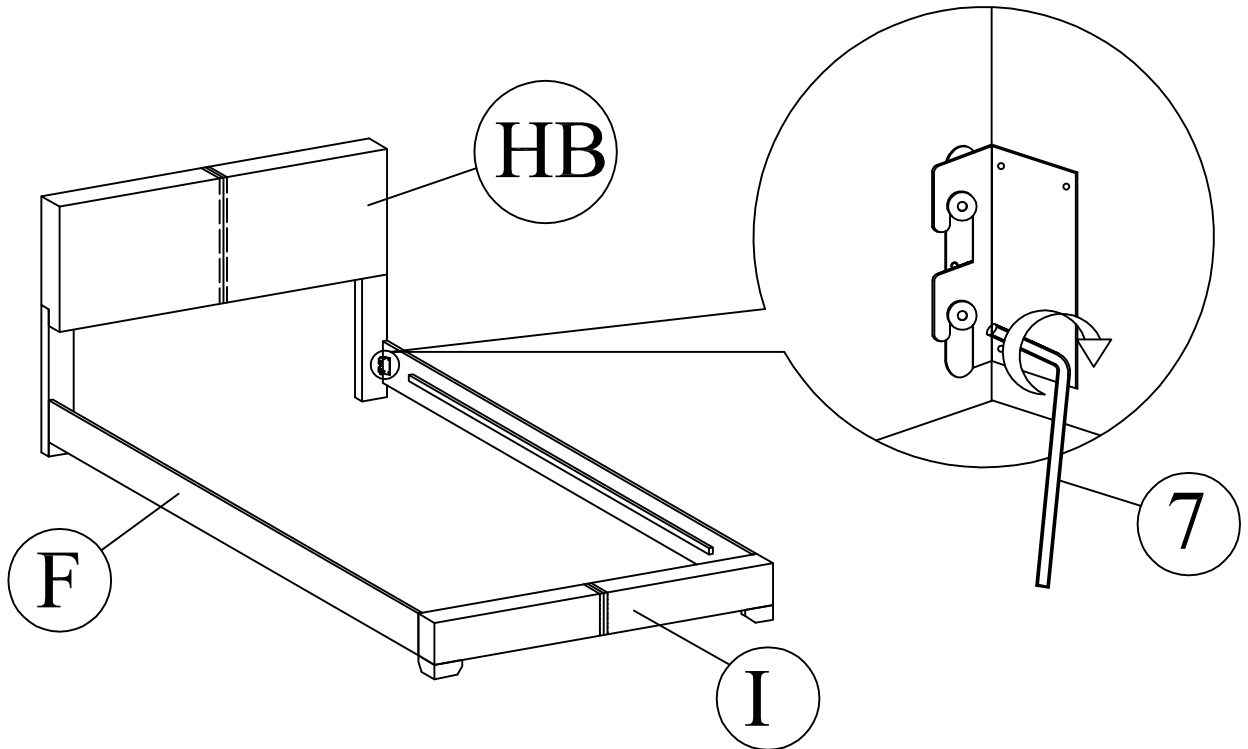
STEP 3

- Align and fasten left (G) & right (H) footboard leg to footboard panel (I) using bolt (5) and tighten with small Allen wrench (6).



STEP 4

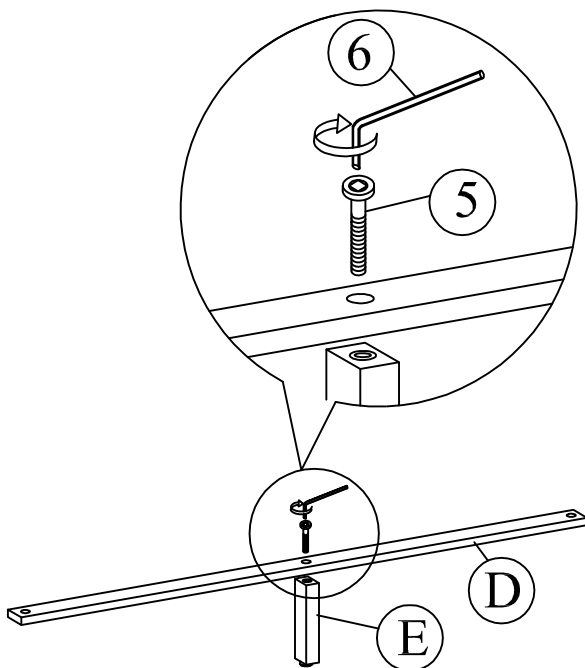
Loosen the bolts from metal plate on headboard (HB) & footboard (I) to leave a gap of 5mm. Align & hook bed rail (F) onto the bolts & tighten all the bolts with big Allen wrench (7).



STEP 5

5.1) Align and fasten bed slat support with leveler (E) to bed slat (D) using bolts (5) and tighten with small Allen wrench (6).

5.2) Adjust leveler to touch the floor.



STEP 6

Align and fasten bed slat (D) to bed rail (F) using screw (4) and tighten with screw driver (Not included).

