

**COASTER**  
FINE FURNITURE®

**2258B**

**BLUE TWIN/FULL BUNK BED**

---

**ASSEMBLY INSTRUCTION  
COASTER FINE FURNITURE**



**[www.coastercompany.com](http://www.coastercompany.com)**

**2012-09-21**

# Assembly Instruction

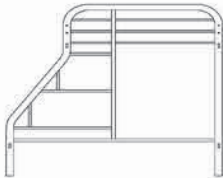
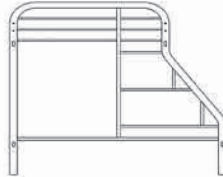
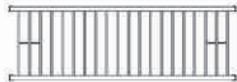







**ASSEMBLY TIPS:**

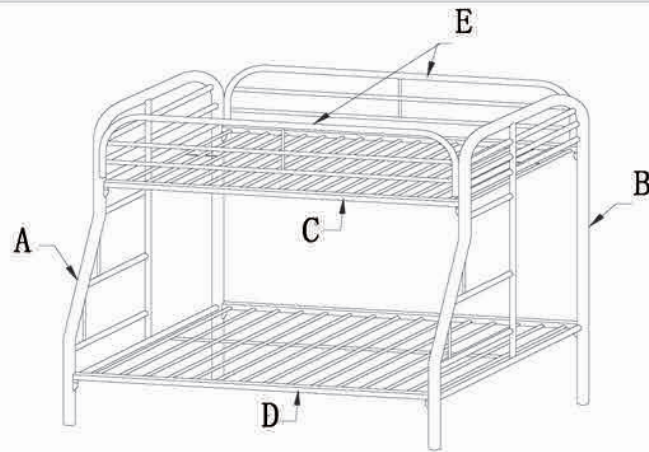
1. Remove hardware from box and sort by size.
2. Please check to see that all hardware and parts are present prior to start of assembly.
3. Please follow attached instructions in the same sequence as numbered to assure fast & easy assembly.



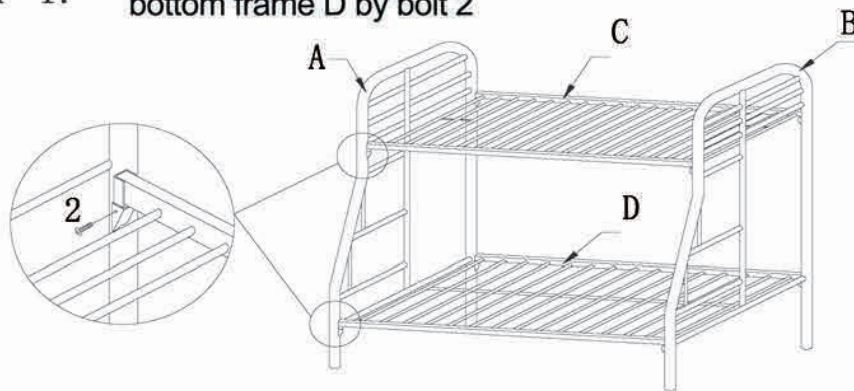
**Warning !**

1. Don't attempt to repair or modify parts that are broken or defective. Please contact the store immediately
2. This product is for home use only and not intended for commercial establishment.

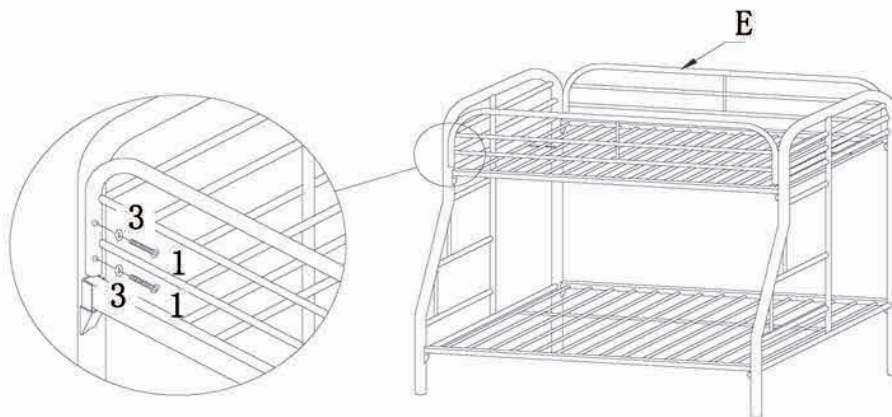
PARTS IDENTIFICATION		Z HARDWARE IDENTIFICATION		
		DESCRIPTION	FIGURE	Q ' TY
<p><b>A</b> LEFT SIDE  1PC</p> <p><b>B</b> RIGHT SIDE  1PC</p> <p><b>C</b> TOP PLATFORM  1PC</p> <p><b>D</b> BOTTOM PLATFORM  1PC</p> <p><b>E</b> GUARD RAIL  2PCS</p>		<b>1</b> 1/4" x 60mm LARGE BOLT 	8PCS	
		<b>2</b> 1/4" x 12mm SHORT BOLT 	8PCS	
		<b>3</b> Φ6 x 16mm WASHER 	8PCS	
		<b>4</b> 4mm ALLEN WRENCH 	1PC	
		<b>5</b> SMALL BOTTLE TOUCH UP PAINT 	1PC	



STEP 1. Assemble the headboard A and footboard B with top frame C and bottom frame D by bolt 2



STEP 2. Assemble the side panel E by bolt 1 and washer 3



COASTER CO.SANTA FE SPRINGS,CA. 90670

INSTRUCTIONS FOR BUNK BED MODEL # 2258B



## SAFETY WARNING

Coaster puts your child's safety as a Top Priority. Our bunk beds have been tested by an independent laboratory and are certified to be in compliance with ASTM F-1427, "Standard Consumer Safety Specification for Bunk beds" and U.S. Government specifications 16 Code of Federal Regulations. Parts 1213 and 1513.

1. Follow the information on the warnings attached to the upper bunk end structure and on the carton. Do not remove this label.
2. Always use the recommended size mattress or mattress support, or both to help prevent the likelihood of entrapment or falls.
3. Surface of mattress must be at least five inches(127mm) below the upper edge of guardrails.
4. Do not allow children less than six years of age to use the upper bunk..
5. Prohibit more than one person on upper bunk.
6. Periodically check and ensure that the guardrail, ladder, and other components are in their proper position, free from damage, and that all connectors are tight.
7. Do not allow horseplay on or under the bed and prohibit jumping on the bed.
8. Always use the ladder for entering and leaving the upper bunk.
9. Do not use substitute parts. Contact manufacturer or dealer for replacement parts.
10. Use of a night light may provide added safety precaution for a child using the upper bunk.
11. If the bunk bed will be placed next to a wall, the guardrail that runs the full length of the bed should be placed against the wall to prevent entrapment between the bed and the wall.(This applies only to bunk beds without two full-length guardrails).
12. Always use guardrails on both long sides of the upper bunk.
13. The use of water or sleep flotation mattresses is prohibited.
14. Keep these instructions for future reference.

### **STRANGULATION HAZARD:**

15. Never attach or hang items to any part of the bunk bed that are not designed for use with the bed for example, but not limited to hooks, and jump ropes.

### **SIZE OF MATTRESS AND FOUNDATION**

Use only mattress which is 37 1/2" -38 1/2" in width and 74" -75" in length . The total thickness of mattress Combined must not exceed 6" .

Note: There must be at least 5" from mattress sleeping surface to top edge of guardrail.

### **REPLACEMENT PARTS**

Replacement parts, including additional guardrails may be obtained from any Coaster Furniture Dealers.

## **KEEP THESE INSTRUCTIONS FOR FUTURE REFERENCE**



## WARNING

### TO HELP PREVENT SERIOUS OR FATAL INJURIES FROM ENTRAPMENT OR FALLS

1. Never allow a child under 6 years on upper bunk.
2. Use only mattress, which is 37-1/2"-38-1/2" width and 74"-75" long on upper bunk (twin size)
3. Ensure thickness of mattress and foundation combined does not exceed 6" and mattress surface at least 5 inches below upper edge of guardrails.
4. Use guardrails on both sides of upper bunk.
5. Prohibit horseplay on or under bed(s).
6. Prohibit more than one person on upper bunk.
7. Use ladder for entering and leaving upper bunk.
8. If the bunk bed will be placed next to a wall, the guardrail that runs the full length of the bed should be placed against the wall to prevent entrapment between the bed and the wall.

### **STRANGULATION HAZARD:**

9. Never attach or hang items to any part of the bunk bed that are not designed for use with the bed for example but not limited to hooks, belts, and jump ropes.

Certified: This bunk bed conforms to all applicable consumer product safety standards

CPSIA 101, 16CFR PARTS 1213, 1500, 1513 AND ASTM F-1427

**DO NOT REMOVE THIS LABEL**

## CERTIFICATE

**CERTIFIED-THIS BUNK BED  
CONFORMS TO ALL APPLICABLE  
CONSUMER PRODUCT SAFETY  
STANDARDS.**

**16 CFR PARTS 1213, 1500, 1513  
AND ASTM F-1427**



# WARNING

## TO PREVENT SERIOUS OR FATAL INJURY

1. When using beds as bunk beds, the ladder **MUST** be securely attached to the upper bunk rail at all times.
2. When using the beds as two (2) separate floor-standing beds, the ladder **MUST** be stored in a separate location where children cannot use the ladder in any manner.
3. **DO NOT** use, nor permit children to use, the ladder in any manner whatsoever, other than to access the top unit when used as bunk beds, and only if the ladder is securely attached to the top bunk rail, as set forth in the instructions.
4. Any misuse or unauthorized use of the ladder could result in serious or fatal injury.
5. Failure to follow the above WARNING, and/or failure to follow assembly instructions completely, will void any and all liability of COASTER COMPANY OF AMERICA for damages and injury to persons and property.

**COASTER**<sup>®</sup>  
*Fine Furniture*

[www.coastercompany.com](http://www.coastercompany.com) | 877-COASTER (262-7837)