

COASTER[®]
FINE FURNITURE

150095

COUNTER HEIGHT DINING TABLE

ASSEMBLY INSTRUCTION
COASTER FINE FURNITURE



www.coastercompany.com

2012/10/08

Assembly Instruction

ASSEMBLY TIPS:

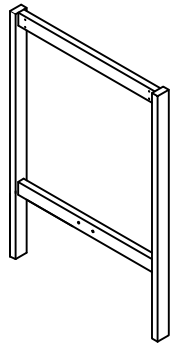
1. Remove hardware from box and sort by size.
2. Please check to see that all hardware and parts are present prior to start of assembly.
3. Please follow attached instruction in the same sequence as numbered to assure fast & easy assembly.

▲Warning!

1. Don't attempt to repair or modify parts that are broken or defective. Please contact the store immediately.
2. This product is for home use only and not intended for commercial establishment.

COUNTER HEIGHT DINING TABLE PARTS LIST:

A. TABLE LEG



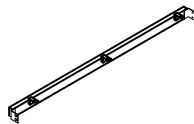
2 PCS

B. BOTTOM STRETCHER BAR



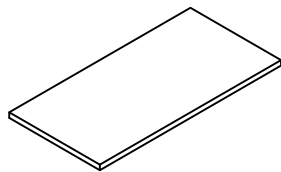
1 PC

C. TOP STRETCHER BAR



2 PCS

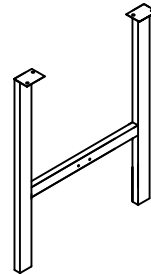
D. TABLE TOP



1 PC

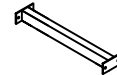
STOOL PARTS LIST:

E. STOOL LEG



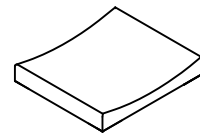
8PCS

F. STRETCHER BAR



4 PCS

G. SEAT



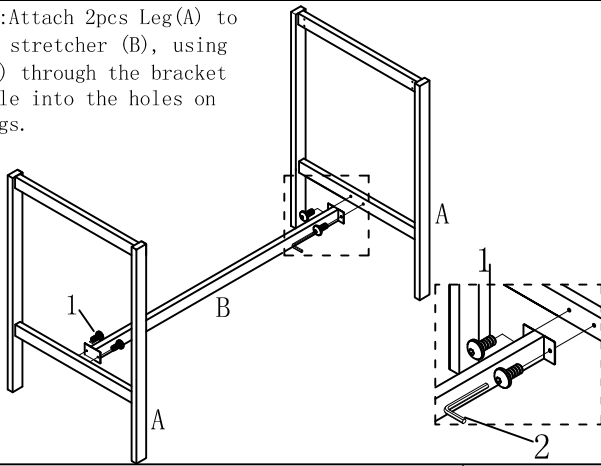
4 PCS

Z HARDWARE LIST:

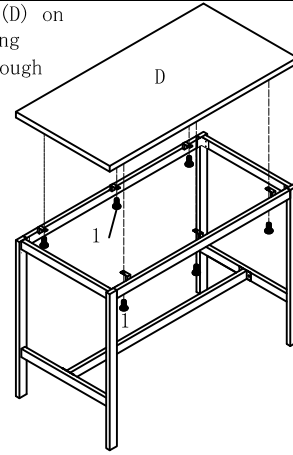
NO.	DESCRIPTION	FIGURE	QTY
1	∅1/4"X1/2" BOLT		66PCS
2	4.0mm ALLEN KEY		1 PC

COUNTER HEIGHT DINING TABLE

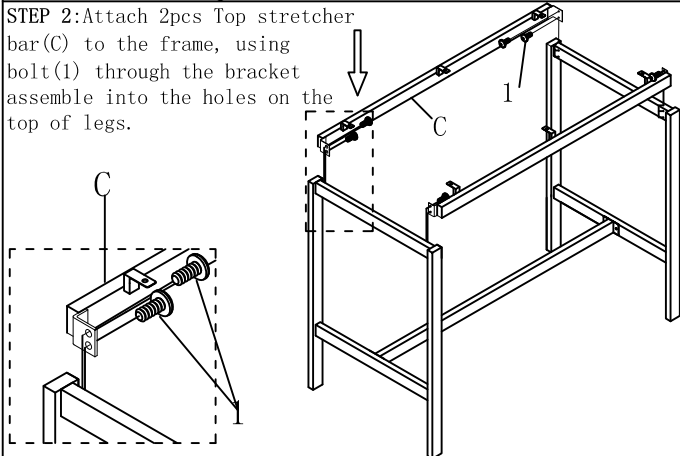
STEP 1: Attach 2pcs Leg (A) to Bottom stretcher (B), using bolt(1) through the bracket assemble into the holes on the legs.



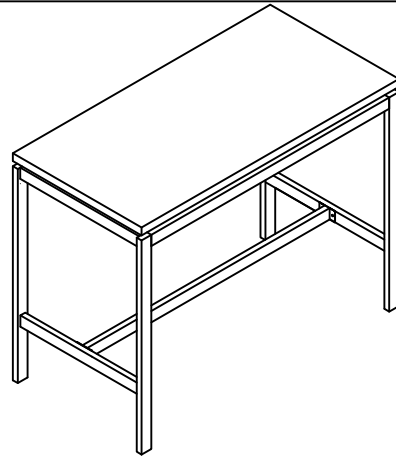
STEP 3: Put Top panel (D) on the table frame, using bolt(1) assemble through the bracket.



STEP 2: Attach 2pcs Top stretcher bar (C) to the frame, using bolt(1) through the bracket assemble into the holes on the top of legs.

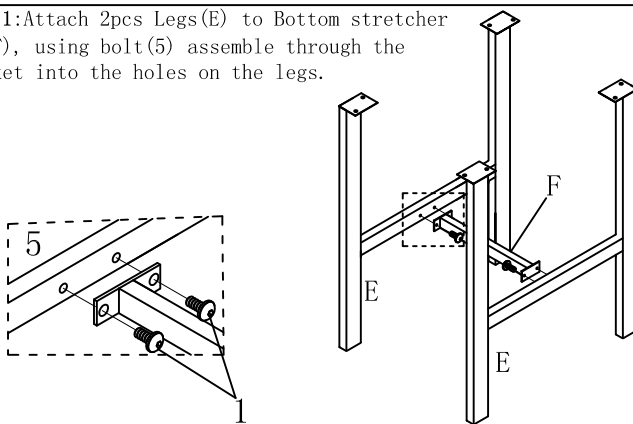


STEP 4

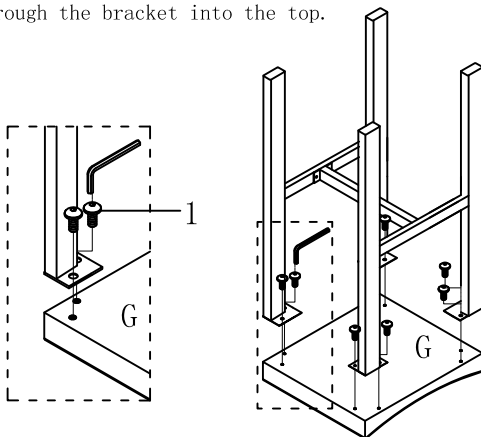


STOOL

STEP 1: Attach 2pcs Legs (E) to Bottom stretcher bar (F), using bolt(5) assemble through the bracket into the holes on the legs.



STEP 2: Attach the stool frame to Top panel (G), using bolt(1) assemble through the bracket into the top.



STEP 3

