

COASTER® 102069GRY

Fine Furniture

BAR CHAIR

ASSEMBLY INSTRUCTION COASTER FINE FURNITURE



www.coastercompany.com

Assembly Instruction

ASSEMBLY TIPS:

- 1.Remove hardware from box and sort by size.
- 2.please check to see that all hardware and parts are present prior to start of assembly.
- 3.please follow attached instructions in the same sequence as numbered to assure fast & easy assembly.



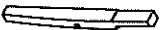

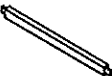


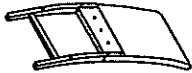

Warning I







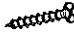

- 1.Don't attempt to repair or modify parts that are broken or defective. please contact the store immediately.
- 2.This product is for home use only and not intended for commercial establishment.

PARTS IDENTIFICATION:

Z

HARDWARE PACKAGE:

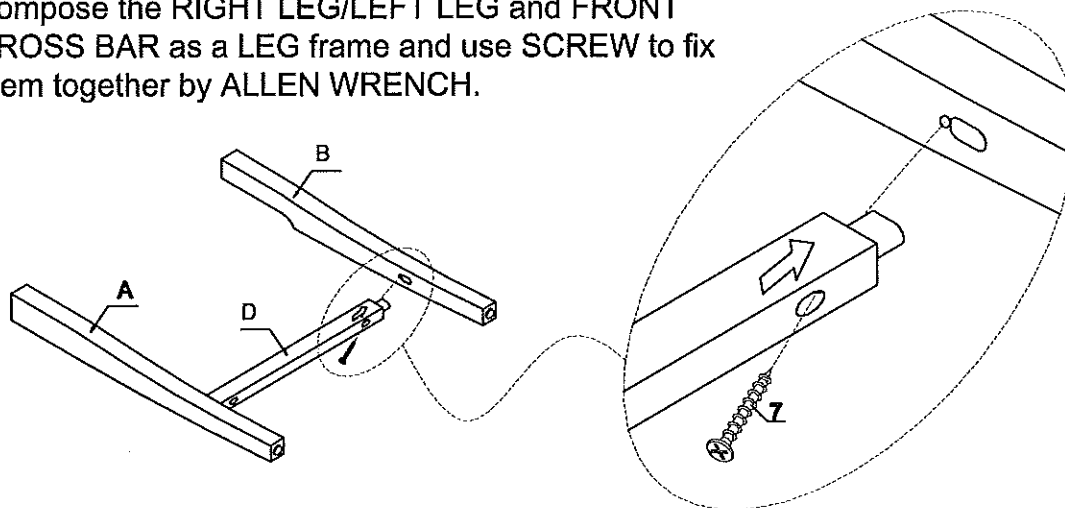
- A . RIGHT LEG  2 PCS
- B . LEFT LEG  2 PCS
- C . SIDE CROSS BAR  4 PCS
- D . FRONT CROSS BAR  2 PCS
- E . CUSHION  2 PCS
- F . BACK PANEL  2 PCS
- G . DUST COVER  2 PCS

NO	DESCRIPTION	FIGURE	QTY
1	BOLT-SMALL		4 PCS
2	BOLT-MIDDLE		8 PCS
3	BOLT-LARGE		8 PCS
4	LOCK WASHER		20 PCS
5	FLAT WASHER		20 PCS
6	ALLEN WRENCH		1 PC
7	SCREW		12 PCS
8	WOODEN DOWEL		2 PCS

Assembly Instruction

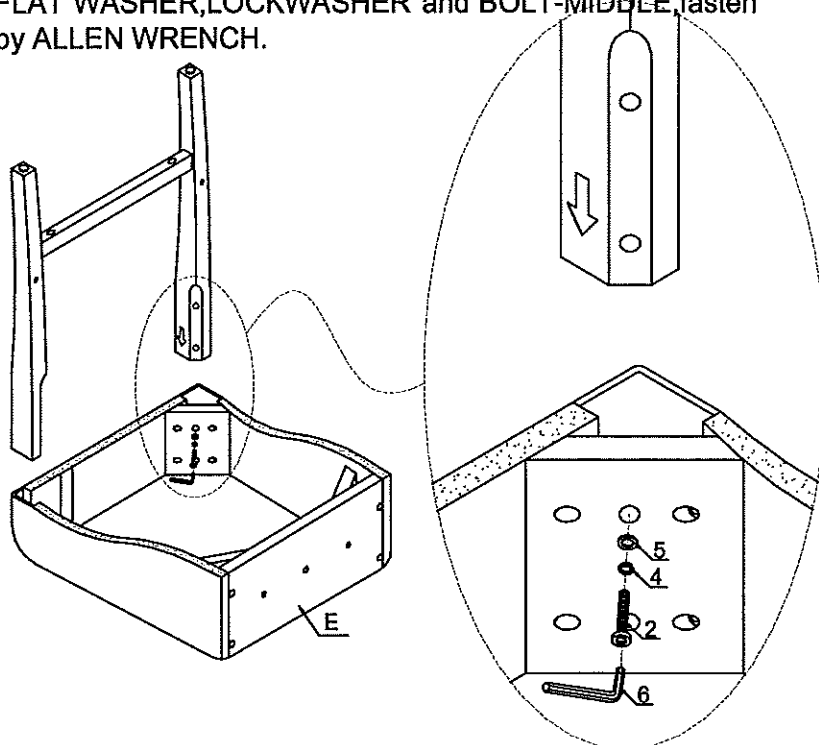
STEP 1

Compose the RIGHT LEG/LEFT LEG and FRONT CROSS BAR as a LEG frame and use SCREW to fix them together by ALLEN WRENCH.



STEP 2

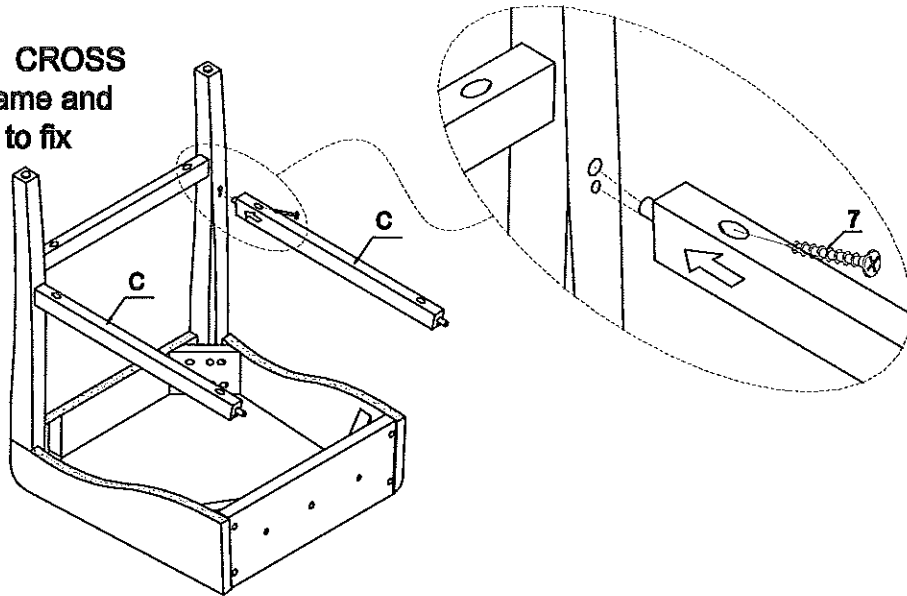
Combine the FRONT LEGS and CUSHION together. Use FLAT WASHER, LOCKWASHER and BOLT-MIDDLE, fasten by ALLEN WRENCH.



Assembly Instruction

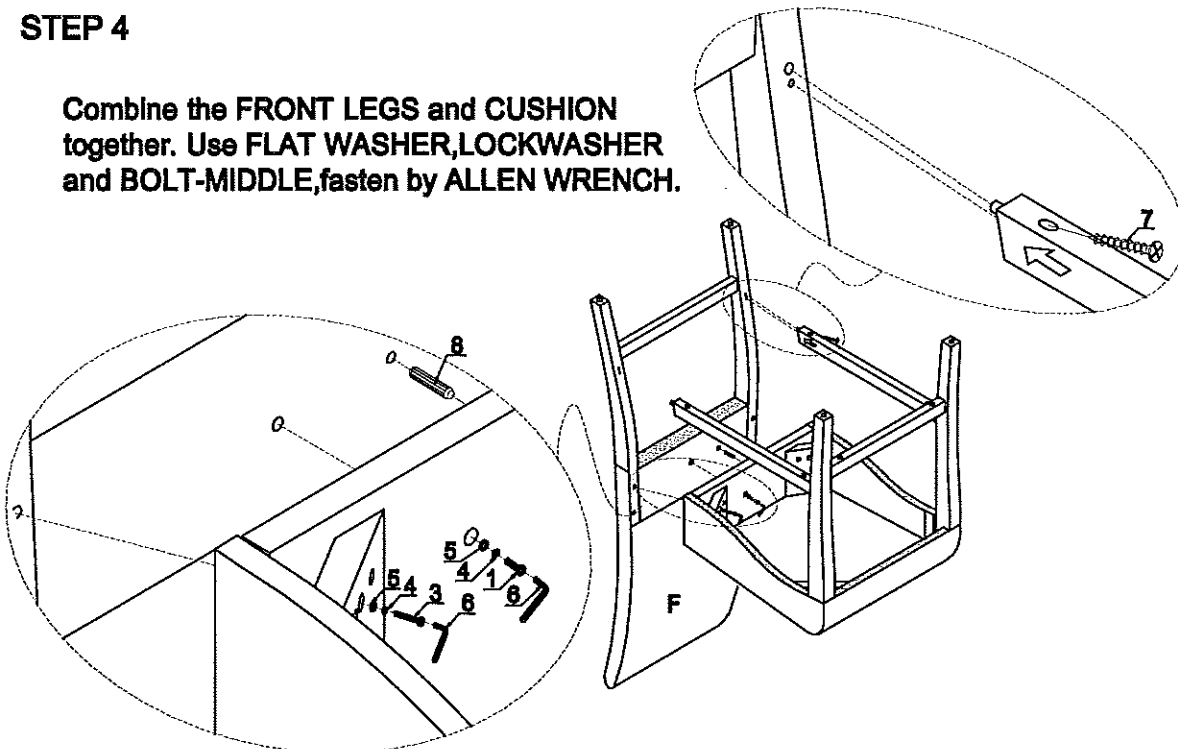
STEP 3

Insert the **SIDE CROSS BAR** on **LEG** frame and fasten **SCREW** to fix together.



STEP 4

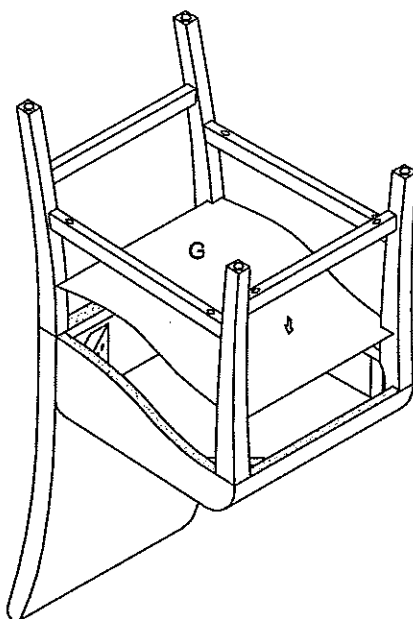
Combine the **FRONT LEGS** and **CUSHION** together. Use **FLAT WASHER**, **LOCKWASHER** and **BOLT-MIDDLE**, fasten by **ALLEN WRENCH**.



Assembly Instruction

STEP 5

Put on the DUST COVER underneath the CUSHION.



STEP 6

Assembly complete.

