

**COASTER**<sup>®</sup>  
FINE FURNITURE

100888N

EXTENSION LEAF COUNTER  
HEIGHT TABLE WITH STORAGE.

---

**ASSEMBLY INSTRUCTIONS**  
**COASTER FINE FURNITURE**



[www.coastercompany.com](http://www.coastercompany.com)

**ASSEMBLY TIPS :**

1. Remove hardware from box and sort by size.
2. Please check to see that all hardware and parts are present prior to start of assembly.
3. Please follow attached instructions in the same sequence as numbered to ensure fast & easy assembly.

**Warning !**

1. Don't attempt to repair or modify parts that are broken or defective. Please contact the store immediately.
2. This product is for home use only and not intended for commercial establishments.

**PARTS IDENTIFICATION :**

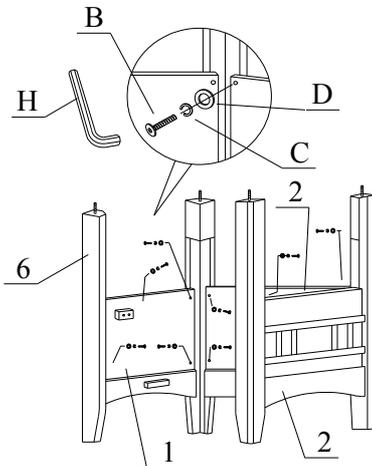
NO	DESCRIPTION	FIGURE	Q'TY
1	SIDE PANEL WITH EXTRA CLEAT		1 PC
2	SIDE PANEL		2 PCS
3	DOOR PANEL		1 PC
4	TABLE TOP		1 PC
5	TABLE LEAF		1 PC
6	TABLE LEG		4 PCS
7	TOP PANEL		1 PC
8	BOTTOM PANEL		1 PC

**HARDWARE IDENTIFICATION :**

NO	DESCRIPTION	FIGURE	Q'TY
A	HEX NUT	 5/16"x12mm	4 PCS
B	BOLT	 1/4"x40mm	14 PCS
C	LOCK WASHER	 5/16"x13mm	18 PCS
D	SMALL FLAT WASHER	 5/16"x19mm	14 PCS
E	LARGE FLAT WASHER	 5/16"x22mm	4 PCS
F	SCREW	 ø3x15mm	4 PCS
G	DOOR HINGE	 120mm	1 PC
H	ALLEN WRENCH	 M4x59mm	1 PC
I	WRENCH	 M4x50mm	1 PC

**STEP 1**

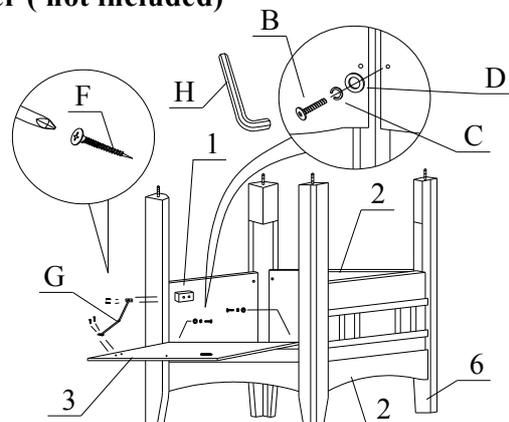
Align & fasten side panels to table legs using bolts, lock washers & small flat washers. Tighten with Allen wrench.



**STEP 2**

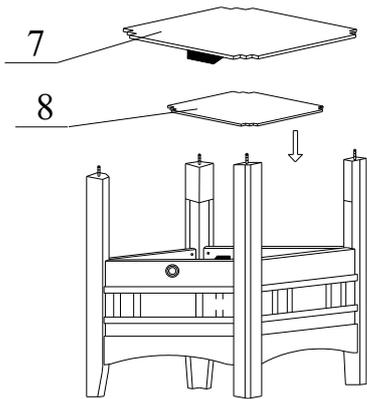
2.1 Align & fasten door panel to table legs using bolts, lock washers & small flat washers. Tighten with Allen wrench.

2.2 Align & fasten door hinge to extra cleat on side panel using screw. Tighten with screw driver ( not included)



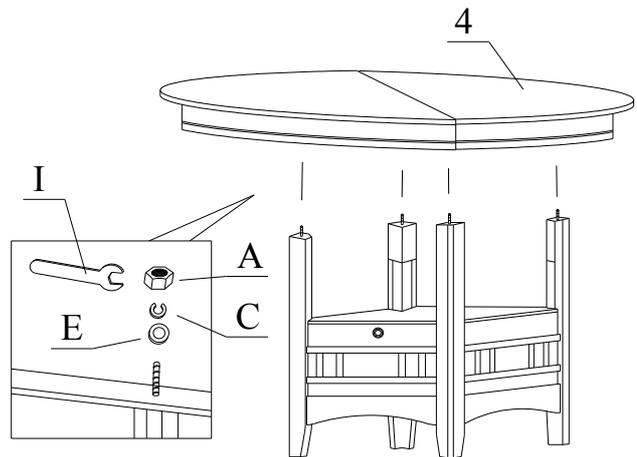
**STEP 3**

Place both top & bottom panels into position as per diagram shown.



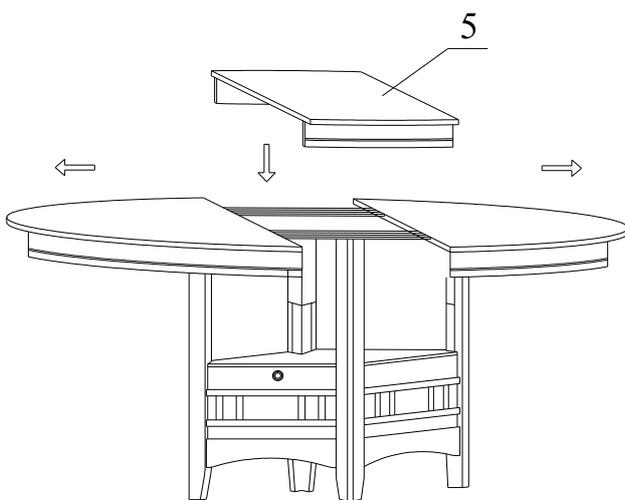
**STEP 4**

Align & fasten table top to table legs using large flat washer, lock washer & hex nut. Tighten with wrench.



**STEP 5**

Pull out the table top in order to place the table leaf into position.



**STEP 6**

Close the table top

