
ASSEMBLY INSTRUCTIONS



ASSEMBLY INSTRUCTION

ASSEMBLY TIPS:

- 1.Remove hardware from box and sort by size.
- 2.Please check to see that all hardware and parts are present prior to start of assembly.
- 3.Please follow attached instructions in the same sequence as numbered to assure fast & easy assembly.

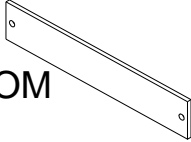
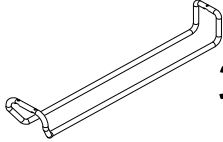
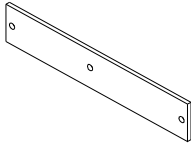


Warning!!

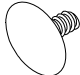










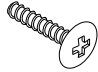

- 1.Don't attempt to repair or modify parts that are broken or defective.Please contact the store immediately.
- 2.This product is for home use only and not intended for commercial establishment.

PARTS IDENTIFICATION

A			H		
TOP FRAM		1P	FRONT FRAM		1P
B			I		
MIDDLE FRAM		1P	TOP GLASS		1P
C			J		
BOTTOM FOOT B		1P	SHELF GLASS		1P
D			K		
FOOT REST B		1P	FRONT GLASS		1P
E			L		
LEFT CROSS B		1P	SIDE ACRYL		2P
F			M		
RIGHT CROSS E		1P	BOTTOM LEG SUPP		4P
G			N		
FOOT REST SIDE PL		2P	BOTTLE RAC		2P

<p>O</p> <p>BOTTLE RACK BOTTOM</p>  <p>2P</p>	<p>P</p> <p>GLASS HOLDI</p>  <p>3P</p>
<p>Q</p> <p>BOTTLE RACK TOP E</p>  <p>2P</p>	

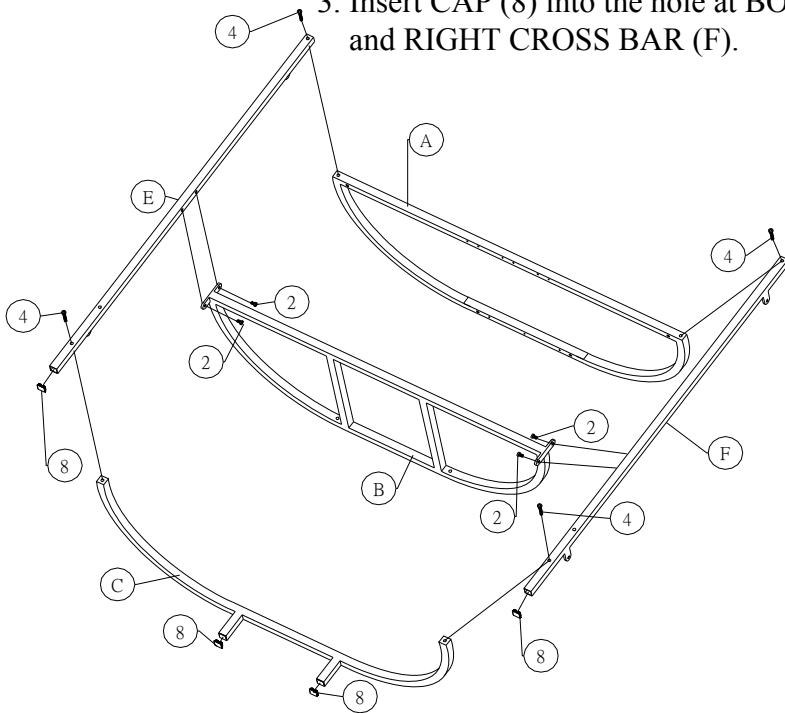
HARDWARE PACKAGE

Z	DESCRIPTION	FIGURE	Q'TY
1	BOLT		10P
2	SMALL ALLEN BO		14P
3	ALLEN BOL		6P
4	MEDIUM ALLEN BO		10P
5	NUT		8P
6	FLOOR LEVELER		4P
7	ROUND CA		4P
8	CAF		4P
9	SMALL WASHE		8P
10	ALLEN KE'		1P
11	PLASTIC WASH		2P
12	SUCTION CI		4P
13	HEXAGONAL KE		1P
14	WASHE		2P
15	SMALL BOLT		19P
16	LARGE ALLEN BO		2P

STEP 1

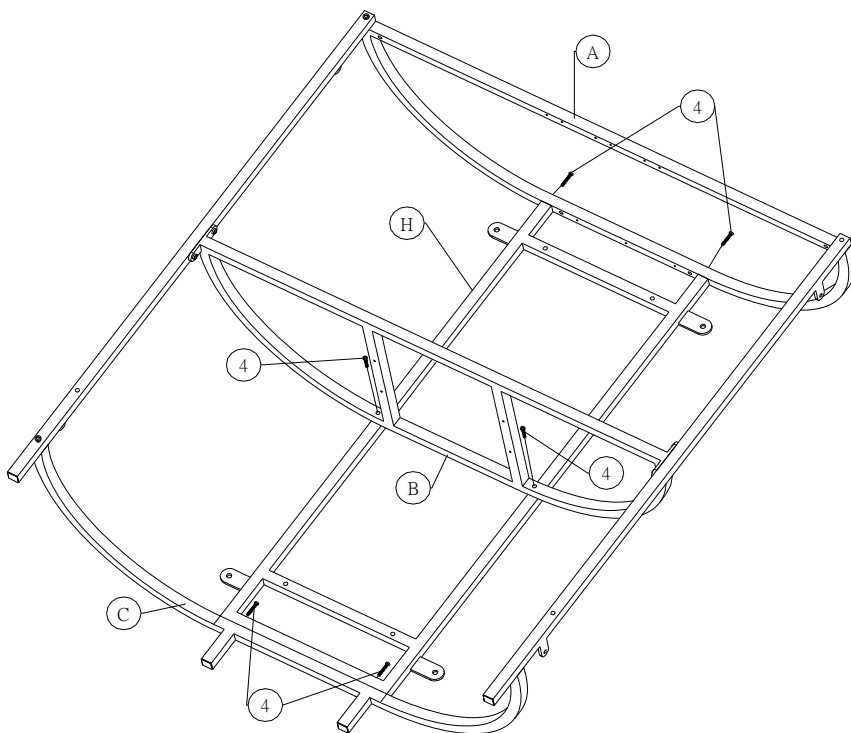
STEP 1

1. Attach TOP FRAME (A) and BOTTOM FOOT BAR (C) to LEFT CROSS BAR (E) and RIGHT CROSS BAR (F) by screwing MEDIUM ALLEN BOLT (4).
2. Attach MIDDLE FRAME (B) to LEFT CROSS BAR (E) and RIGHT CROSS BAR (F) by screwing SMALL ALLEN BOLT (2).
3. Insert CAP (8) into the hole at BOTTOM FOOT BAR (C) and LEFT CROSS BAR (E) and RIGHT CROSS BAR (F).

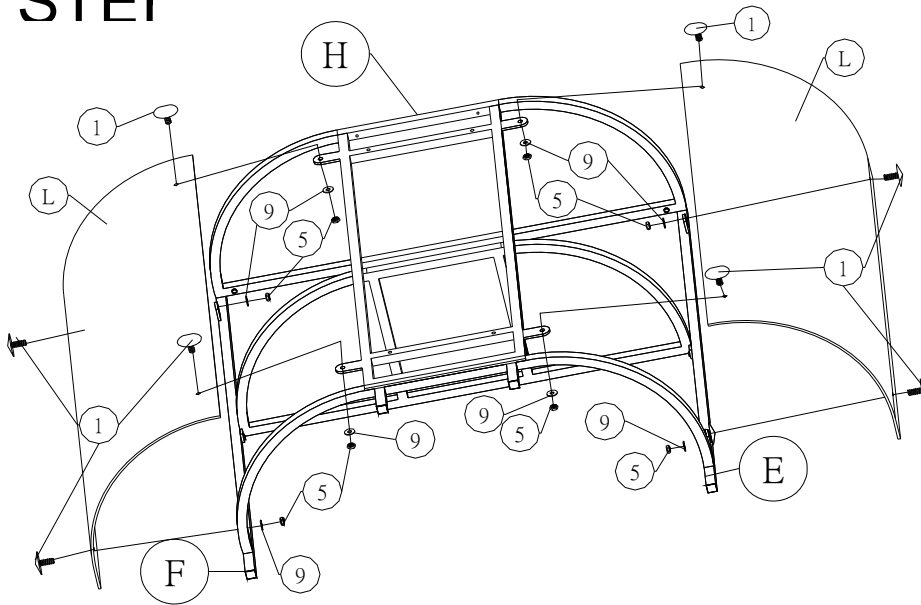


STEP 2

- STEP 2 1. Attach FRONT FRAME (H) to TOP FRAME (A) and MIDDLE FRAME (B) and BOTTOM FOOT BAR (C) by screwing



STEI



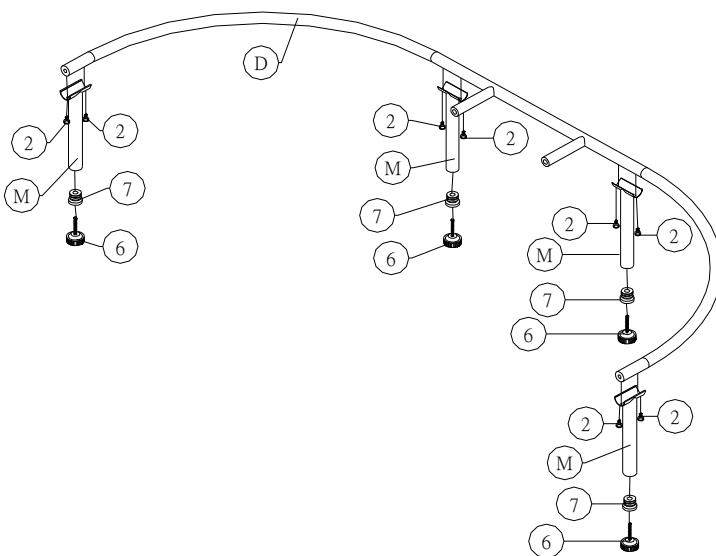
STEP 3

1. Attach SIDE ACRYLIC (L) to FRONT FRAME (H) and LEFT CROSS BAR (E) by screwing BOLT (1) and NUT (5) and SMALL WASHER (9).
2. Attach SIDE ACRYLIC (L) to FRONT FRAME (H) and RIGHT CROSS BAR (F) by screwing BOLT (1) and NUT (5) and SMALL WASHER (9).

STEI

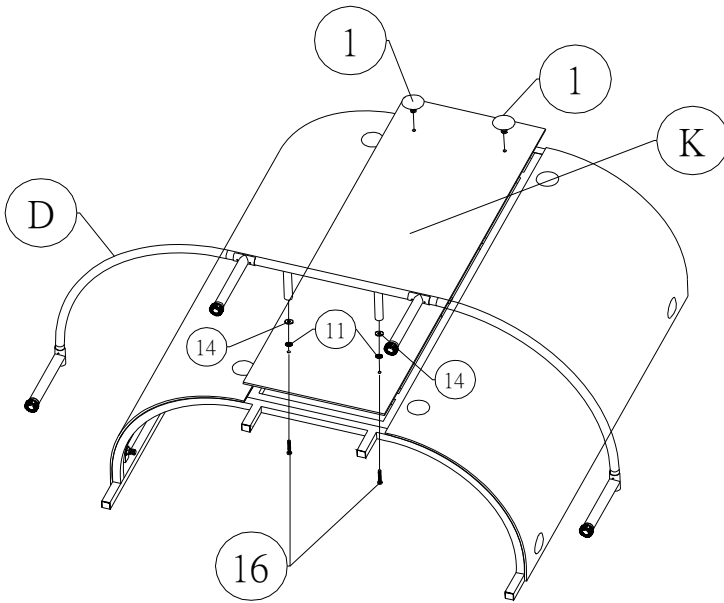
STEP 4

1. Insert ROUND CAP (7) into BOTTOM LEG SUPPORT (M), then screw on FLOOR LEVELER (6).
2. Attach BOTTOM LEG SUPPORT (M) to FRONT FOOT REST BAR (D) by screwing SMALL ALLEN BOLT (2).



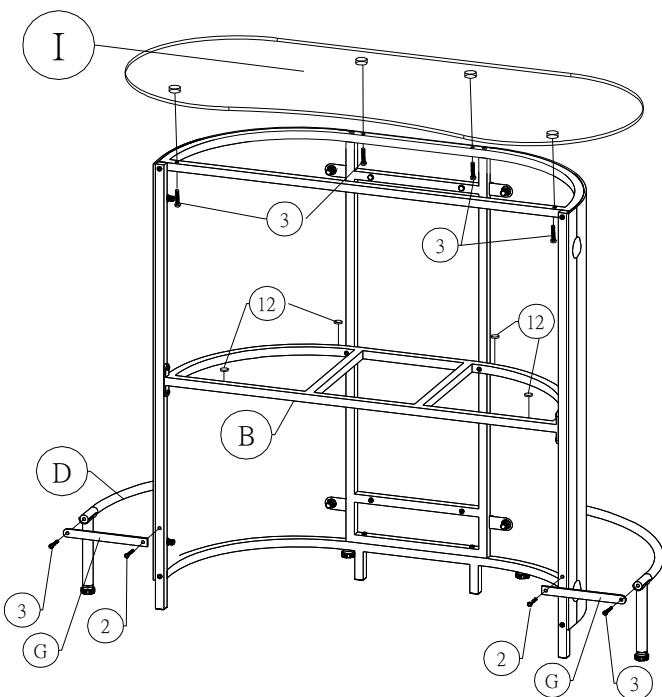
STEI

STEP 5 1. Attach FRONT GLASS (K) to FOOT REST BAR (D) and FRONT FRAME (H)



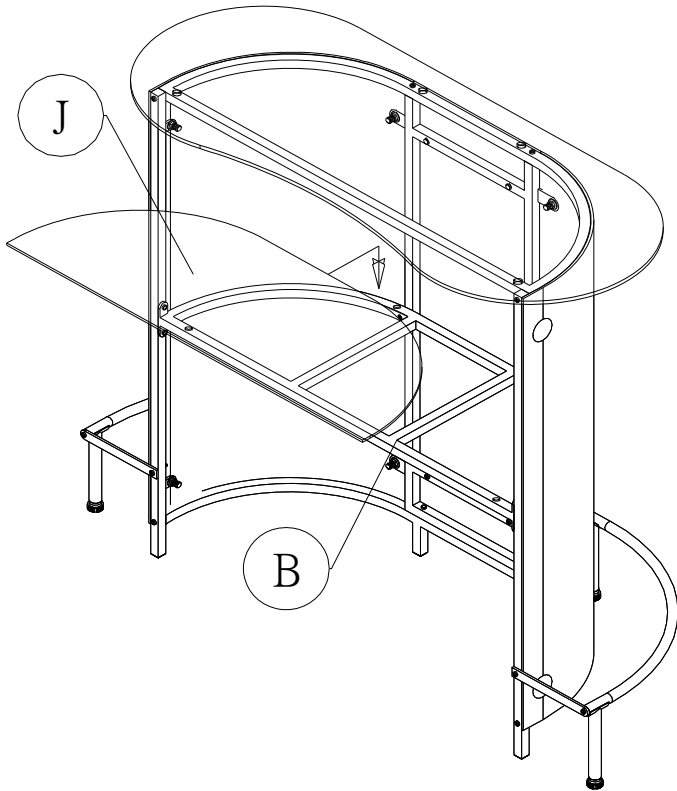
STEI

STEP 61. Attach TOP GLASS (I) to TOP FRAME (A) by screwing ALLEN BOLT (3). 2. Place SUCTION C



STEI

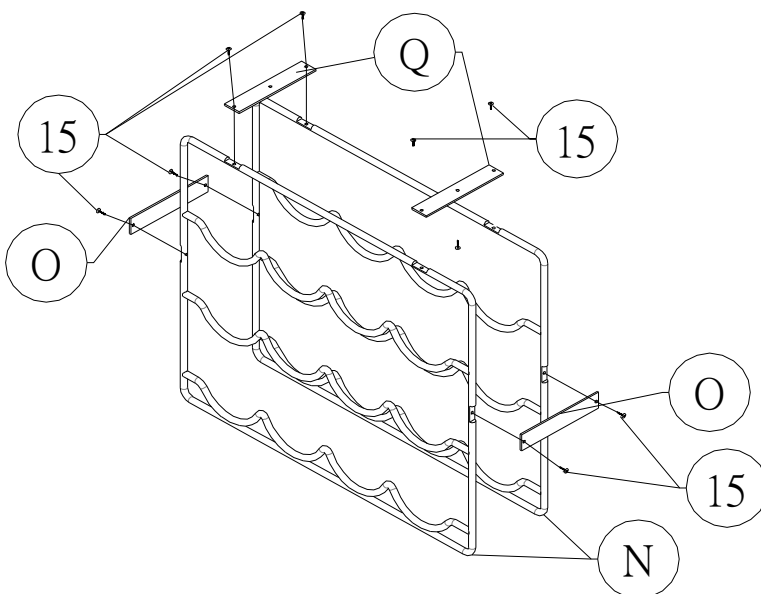
STEP 71. Place SHELF GLASS (J) on the MIDDLE FRAME (B).



STEI

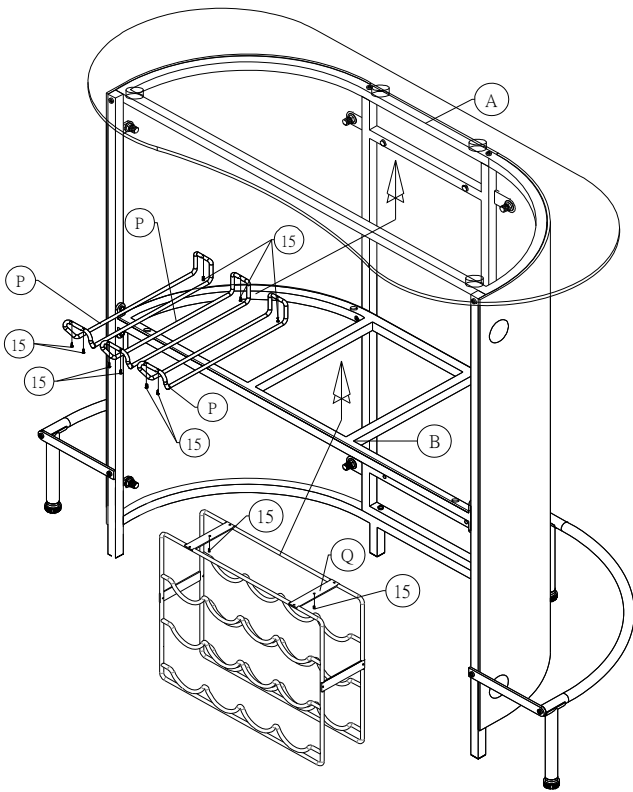
STEP 8

1. Attach BOTTLE RACK BOTTOM BAR (O) to BOTTLE RACK (N) by screwing SMALL BOLT (15).
2. Attach BOTTLE RACK TOP BAR (Q) to BOTTLE RACK (N) by screwing SMALL BOLT (15).



STEP

STEP 91. Attach GLASS HOLDER (P) to TOP FRAME (A) by using SMALL BOLT (15). 2. Attach BOTTLE R



FINISH

