

COASTER
FINE FURNITURE®

100438 (B1 & B2)

**STORAGE COUNTER HEIGHT TABLE WITH
24" DIA TEMPERED GLASS LAZY SUSAN**

**ASSEMBLY INSTRUCTIONS
COASTER FINE FURNITURE**



www.coastercompany.com

ASSEMBLY TIPS :

1. Remove hardware from plastic bag and sort by size.
2. Please check to see that all hardware and part are present prior to start of assembly.
3. Please follow attached instruction in the same sequence as numbered to assure fast & easy assembly.



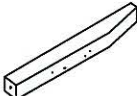
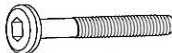


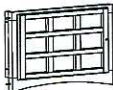









Warning !

1. Don't attempt to repair or modify parts that are broken or defective. Please contact the store immediately.
2. This product is for home use only and not intended for commercial establishment.

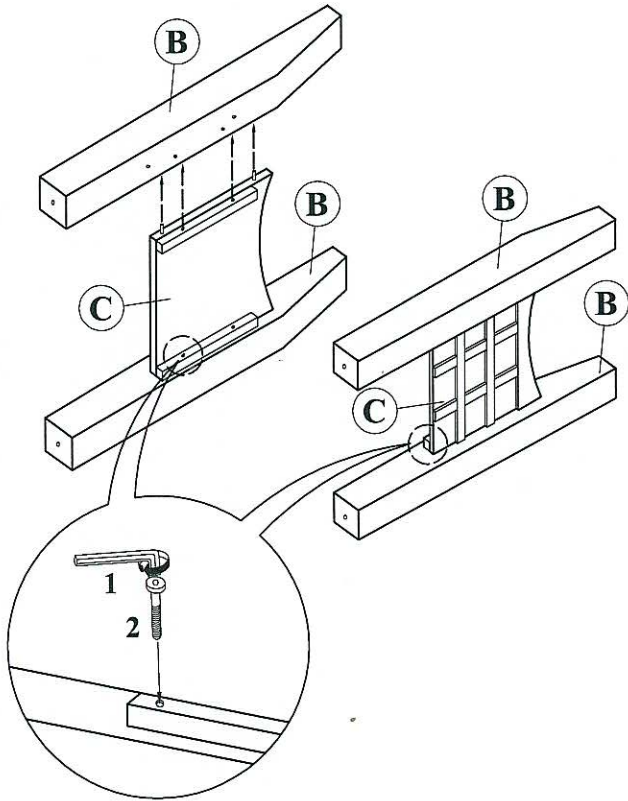
PARTS IDENTIFICATION:

HARDWARE IDENTIFICATION:

A		TABLE TOP WITH MOUNTING PLATE	1PC	1		ALLEN WRENCH	1PC
B		LEG	4PCS	2		BOLT	24PCS
C		SIDE PANEL	2PCS	3		ALLEN CAP SCREW	4PCS
D		DOOR WITH FRAME	2PCS	4		PULL	2PCS
E		TOP PANEL	1PC	5		PAN HEAD SCREW	2PCS
F		BOTTOM PANEL	1PC	6		RUBBER DISC	6PCS
G		GLASS	1PC	7		FLAT WASHER	4PCS

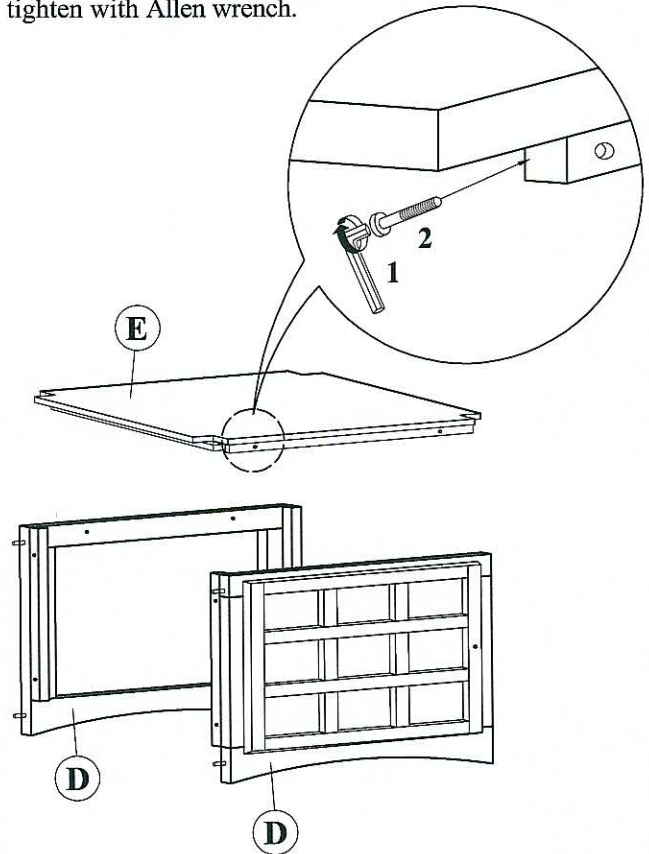
STEP 1

Align and fasten side panel to leg using bolts and tighten with Allen wrench.



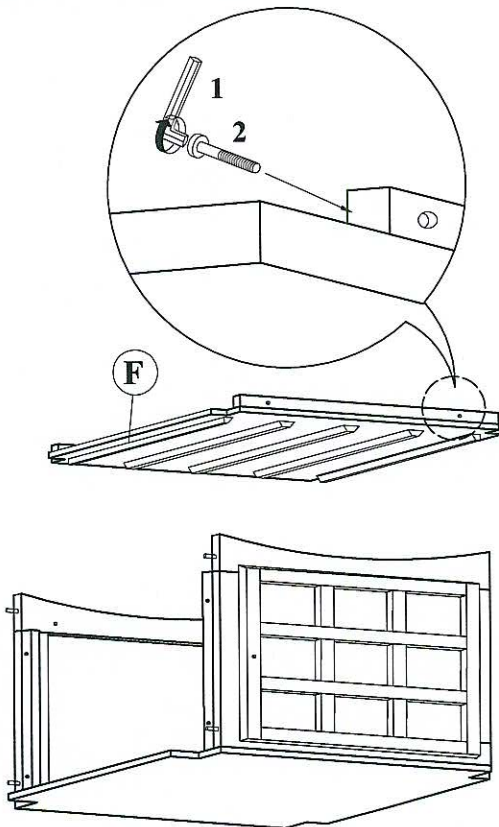
STEP 2

Align and fasten top panel to door frames using bolts and tighten with Allen wrench.



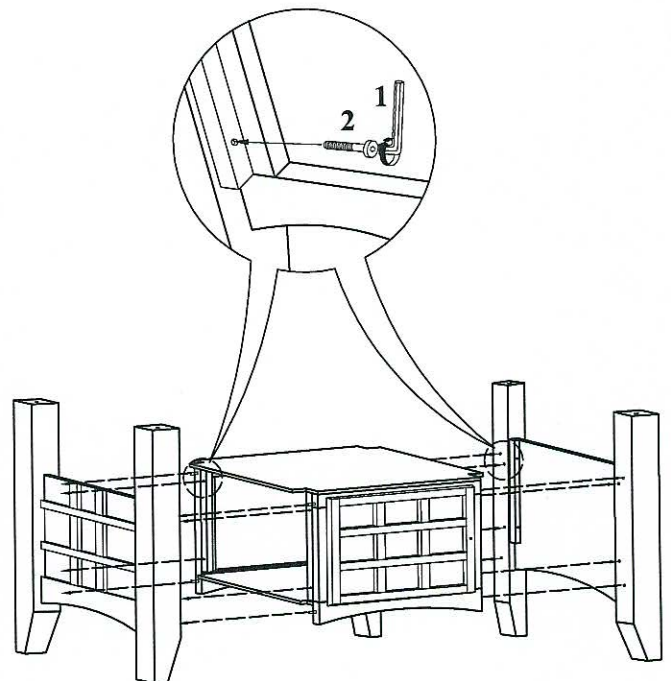
STEP 3

Align and fasten bottom panel to door frames using bolts and tighten with Allen wrench.



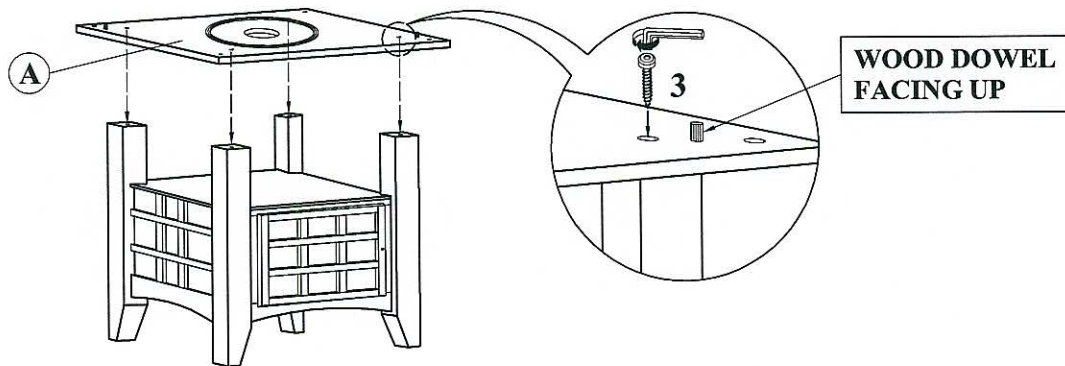
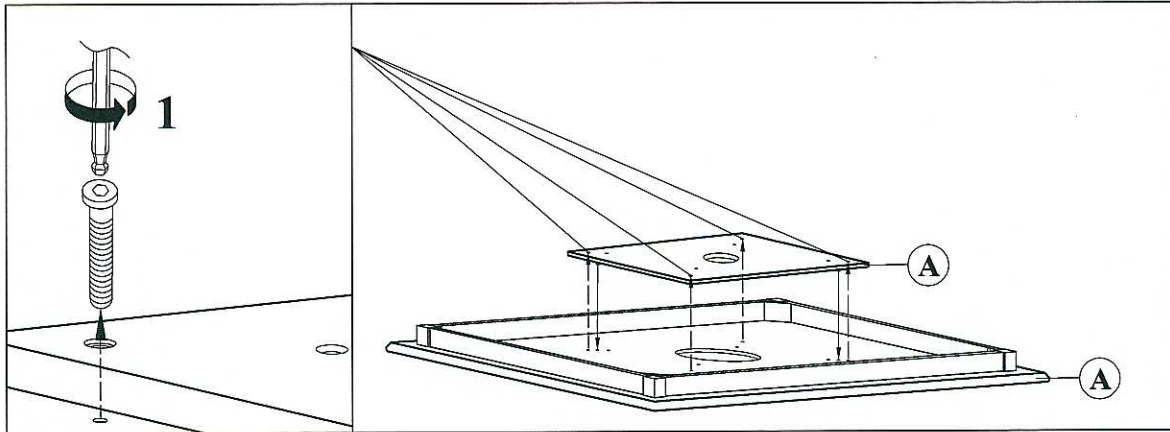
STEP 4

Align and fasten door frames to legs using bolts and tighten with Allen wrench.



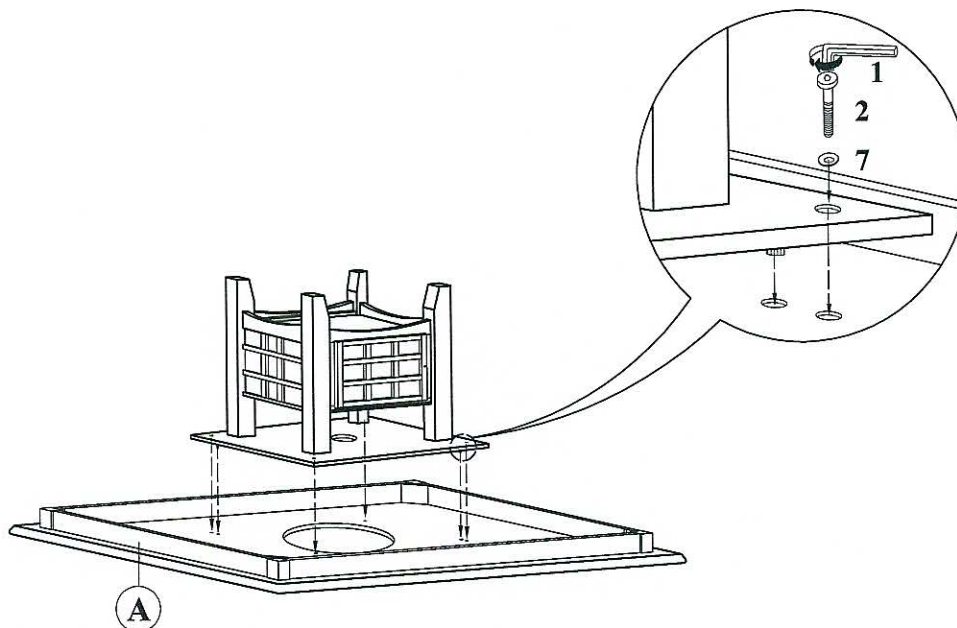
STEP 5

Unscrew bolt with Allen wrench to detach the mounting plate from table top. Align and fasten mounting plate to legs using Allen cap screw and tighten with Allen wrench. (Please ensure the wood dowel on the mounting plate is facing up).



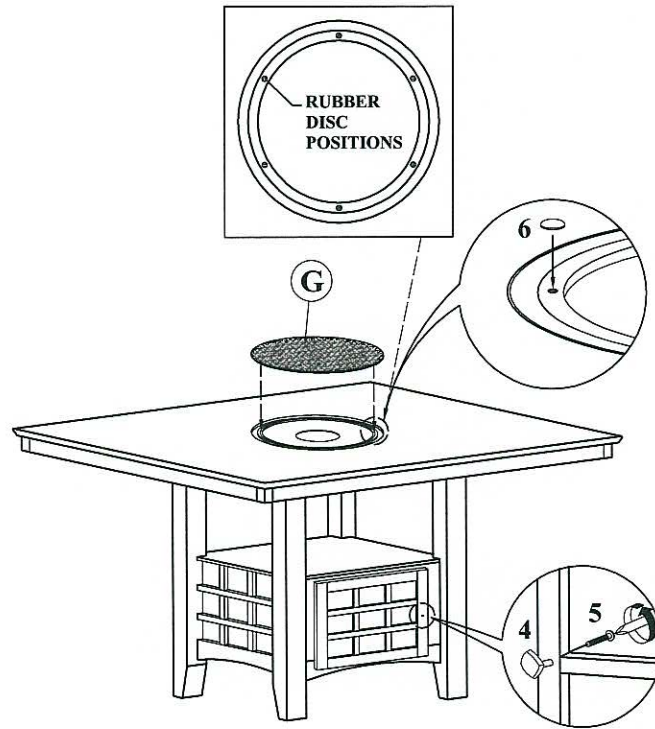
STEP 6

Align and fasten mounting plate to table top using bolts and flat washer and tighten with Allen wrench.



STEP 7

Stick rubber disc to the lazy susan mechanism as shown. Place the glass on top of rubber disc. Align and fasten pull to the doors using pan head screw and tighten with screw driver (Not provided).



STEP 8

Complete.

