

ASSEMBLY INSTRUCTION
COASTER FINE FURNITURE



www.coastercompany.com

ASSEMBLY INSTRUCTION

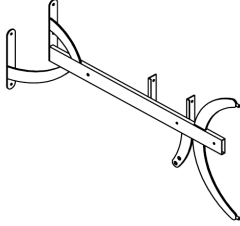
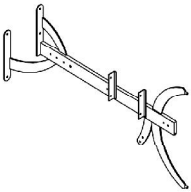
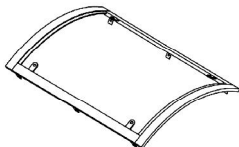
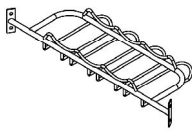
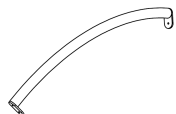
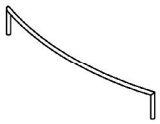
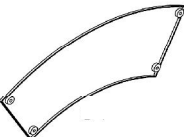


ASSEMBLY TIPS

1. Remove hardware from box and sort by size.
2. Please check to see that all hardware and parts are present prior to start of assembly.
3. Please follow attached instructions in the same sequence as numbered to assure fast & easy assembly









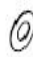



 **Warning !**

1. Don't attempt to repair or modify parts that are broken or defective. Please contact the store immediately
2. This product is for home use only and not intended for commercial establishment.

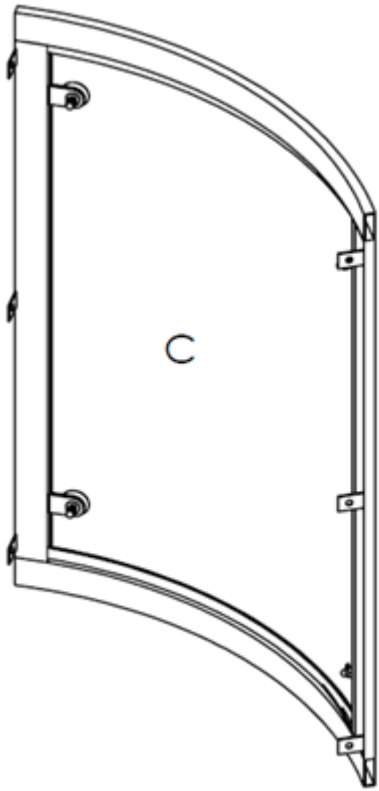
PARTS IDENTIFICATION:

A	LEFT LEG		1PC
B	RIGHT LEG		1PC
C	FRONT FRAME		1PC
D	HANGER BASKET		1PC
E	BOTTOM SUPPORT		1PC
F	BOTTOM GLASS SUPPORT		2PCS
G	TOP GLASS		1PC
H	BOTTOM GLASS		2PCS
I	SHELF GLASS		1PC

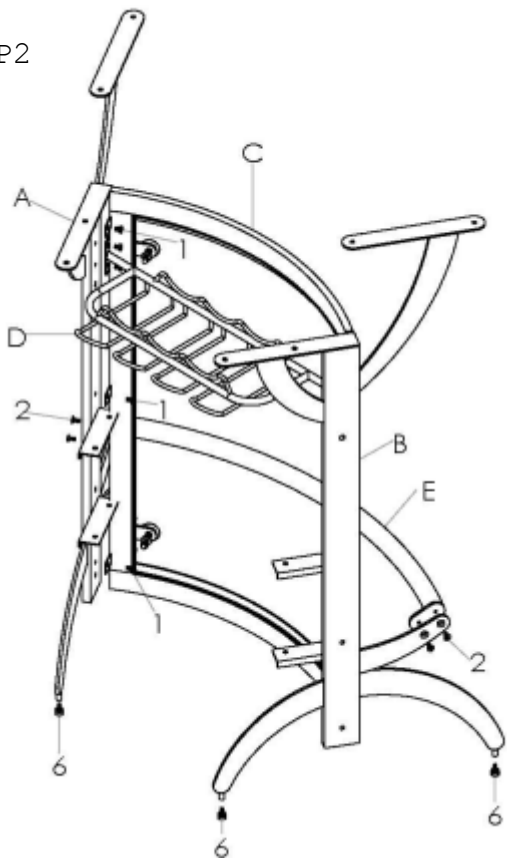
HARDWARE PACKAGE:

NO	DESCRIPTION	FIGURE	Q'TY
1	ALLEN BOLT-MEDIUM		22PCS
2	ALLEN BOLT-SMALL		4PCS
3	BOLT		4PCS
4	THICKNESS WASHER		4PCS
5	SUCTION CUP		4PCS
6	FLOOR LEVELER		4PCS
7	ALLEN BOLT-LARGE		3PCS
8	NUT		3PCS
9	WASHER		3PCS
10	PLASTIC WASHER		3PCS
11	ALLEN KEY		1PC
12	HEXAGONAL KEY		1PC

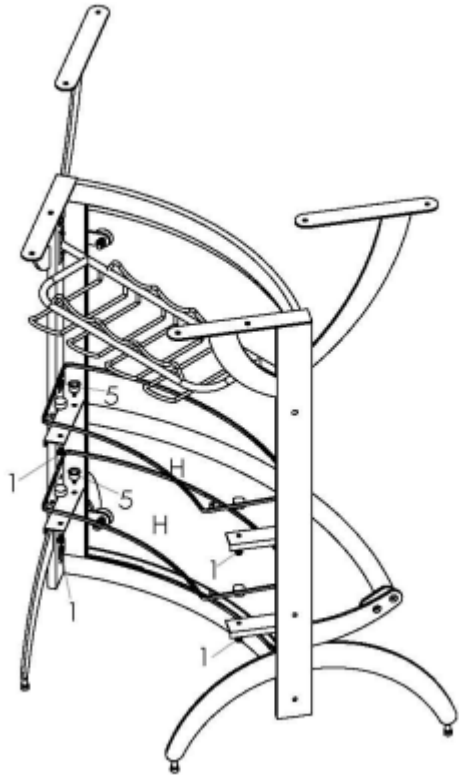
STEP1



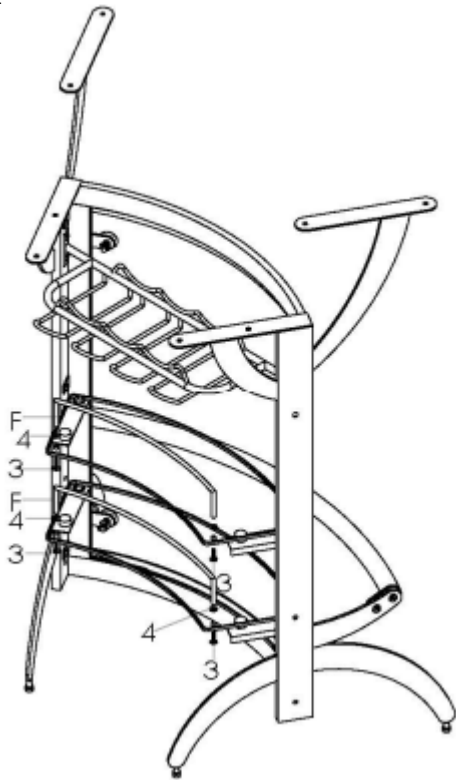
STEP2



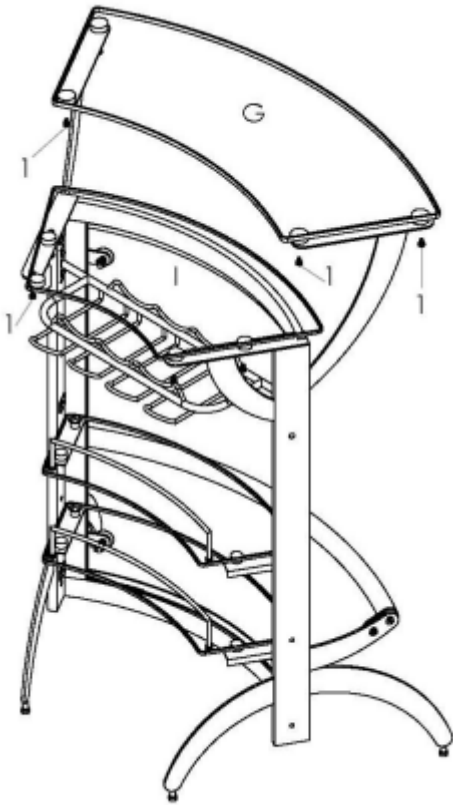
STEP 3



STEP 4



STEP 5



FINISH

