

 Hayche



Collection 2024

We are Hayche.

We are an award-winning design led furniture brand, with a creative DNA and a strong belief in the power of design to enhance peoples lives.



Loom chair manufacturing process.

Our beliefs.

We believe in creative expression; in progress with purpose; in tradition and innovation; in pieces that stand the test of time. We explore new possibilities and methods; we consider history to forge a better future; and we strive to create imaginative, authentic, beautiful and practical products.

Our culture.

Everything we do, we do with love and care.

The details drive us — from design and materials sourcing, to manufacturing and finishing. For us, quality is paramount and can never be compromised. We want to do things the right way, sustainably and without shirking our responsibilities.

We don't just want to build a business, but to find a balance between culture and commerce. We encourage an open attitude that fosters inventiveness and collaboration and is built on mutual respect and trust. We invest in relationships, making sure that everyone we work with feels valued and truly integral to what we're doing.



Our materials.

We love solid wood and the sense of warmth it brings. But we also enjoy compelling juxtapositions with other premium, natural materials. We choose materials for their beauty, purity, honesty and sustainability.

Our collaborators.

We are designers but also editors of design, working with emerging and established international talent from different creative disciplines, to collaborate together in the creation of outstanding furniture. We also have strong relationships with skilled, established suppliers all over the world. They provide a combination of state-of-the-art technology and time-honoured craftsmanship.

Our prices.

We keep our prices reasonable considering the complexity of the manufacturing process. We will always charge a fair price for our products, given the cost of materials and production.

Our service.

We give our customers a personalised and warm service experience. We are here to build relationships, to assist and support them all the way throughout the process. We like to think that we give our customers more than they would expect.

Our legacy.

We aim to have a positive impact in the industry. But more than anything, we want to improve the everyday, bringing imagination and nourishment into people's lives.

Contents

Chairs

Page 9

Stools

Page 70

Soft Seating

Page 84

Tables

Page 166

Desks

Page 208

Lighting

Page 223



Cornell house, London

Tailor Made

One of the truly unique elements of Hayche is the fact that Founder and Head Designer Alejandro Villarreal, is both an Architect and a Product Designer.

Embracing large scale schemes such as BTR and Hospitality is our forte. We work side by side with the client to design pieces specific to brand or specification, ensuring that the collection is unique and tailor made.



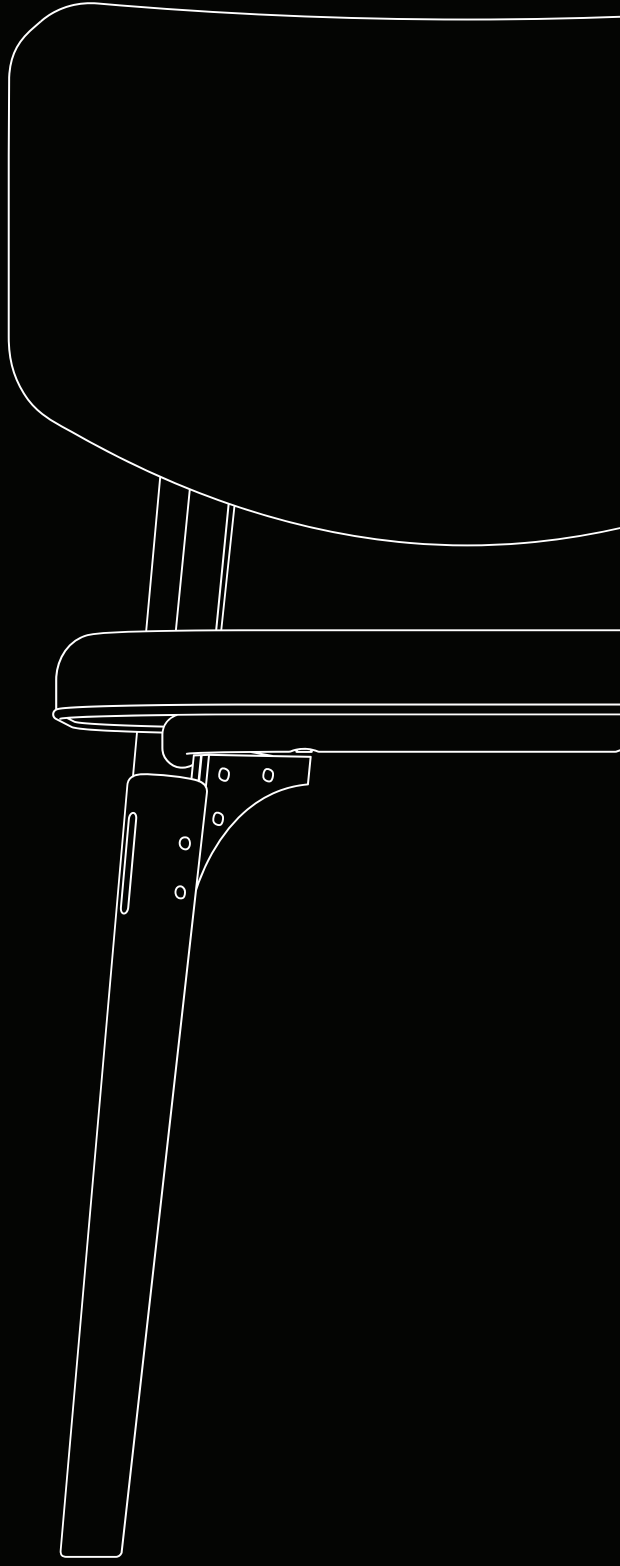
Although our positioning is always design led, the overarching goal is cost saving for our clients and with a manufacturing capability that enables us to accommodate volume, we deliver quick turnaround and guarantee to come in within budget and on time.

By also offering a custom made service to our clients we can accommodate specific projects that require individual attention to detail on made to measure pieces or offer amendments on designs within our portfolio.



Chair El and chair Ella, solid wooden chairs designed exclusively for Hotel Xcaret Arte, in the Riviera Maya, Mexico.

Chairs



A Chair

Designed by Alejandro Villarreal

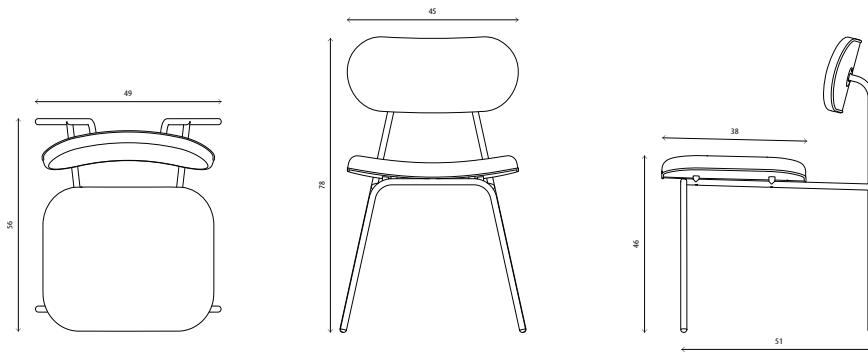


A sophisticated blend of form and function, the “A” Chair embodies the concept of visual lightness with a subtle nod to its namesake letter. The innovative back legs artfully form the shape of an “A”, while the powder-coated metal frame offers durability and elegance. Upholstered in fire-retardant fabric, this versatile dining chair seamlessly transitions from dining rooms to restaurants, cafeterias and meeting spaces.



Technical Information

A Chair



Materials/Finishes

Powder Coated Metal Frame, Fire Retardant Foam and Fabric
This product can be customised to different colors and finishes.



Black SKU: A101

Black RAL 9005 Frame
Plomo Fabric



Grey SKU: A102

Grey RAL 7037 Frame
Oxford Fabric



Brown SKU: A103

Brown RAL 8015 Frame
Shedron Fabric



Green SKU: A104

Green RAL 6007 Frame
Verde Fabric



Red SKU: A105

Red RAL 3005 Frame
Vino Fabric



Blue SKU: A106

Blue RAL 5022 Frame
Marino Fabric

Environmental

Low VOC / Greenguard, Raw Materials sourced in same / neighbouring country, Cradle to Cradle / Design for Disassembly, Quality Policy, Recycleable content over 90%.

Dulwich Chair

Designed by Alejandro Villarreal

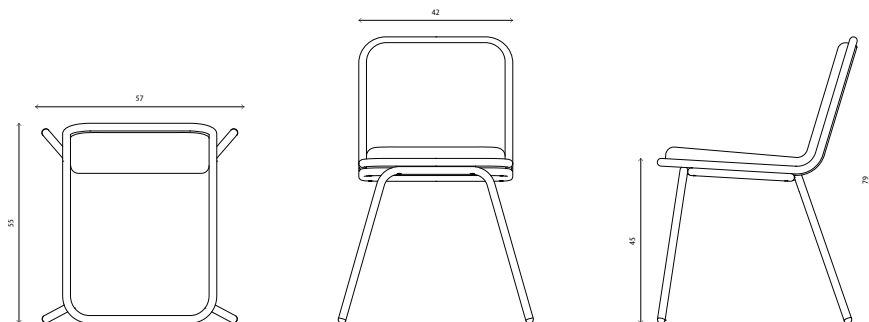


Drawing inspiration from a charming caned stool from the 1800s discovered at the Dulwich Picture Gallery furniture collection, the Dulwich Chair pays homage to the past while embracing modern sensibilities. Its powder-coated metal frame provides a sturdy foundation, while the fire-retardant fabric upholstery ensures both comfort and safety. With its versatile design, the Dulwich Chair effortlessly enhances dining rooms, home offices, restaurants, bars, coffee shops, and meeting rooms, reflecting a perfect fusion of history and contemporary aesthetics.



Technical Information

Dulwich Chair



Materials/Finishes

Powder Coated Metal Frame, Fire Retardant Foam and Fabric
This product can be customised to different colors and finishes.



Black SKU: DW101
Black RAL 9005 Frame
Plomo Fabric



Grey SKU: DW102
Grey RAL 7037 Frame
Oxford Fabric



Brown SKU: DW103
Brown RAL 8015 Frame
Shedron Fabric



Green SKU: DW104
Green RAL 6007 Frame
Verde Fabric



Red SKU: DW105
Red RAL 3005 Frame
Vino Fabric



Blue SKU: DW106
Blue RAL 5022 Frame
Marino Fabric

Environmental

Low VOC / Greenguard, Raw Materials sourced in same / neighbouring country, Cradle to Cradle / Design for Disassembly, Quality Policy, Recycleable content over 90%.

Dulwich Rattan Chair

Designed by Alejandro Villarreal

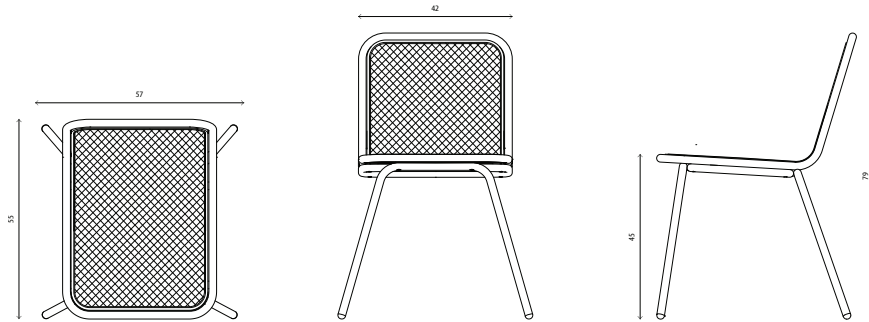


The Dulwich Rattan Chair is a captivating reinterpretation of the original Dulwich design, infusing it with the warmth and texture of natural rattan. This variant features a powder-coated metal frame for durability, while the rattan cane webbing seat and backrest create an inviting, organic aesthetic. The fusion of contemporary craftsmanship and timeless appeal makes the Dulwich Rattan Chair a versatile choice for dining rooms, home offices, restaurants, bars, coffee shops, and meeting rooms, effortlessly elevating any space with its unique charm and character.



Technical Information

Dulwich Rattan Chair



Materials/Finishes

Powder Coated Metal Frame, Rattan Cane Webbing Seat and Backrest
This product can be customised to different colors and finishes.



Black SKU: DWR101

Black RAL9005 Frame
Rattan Cane Webbing Seat
Rattan Cane Webbing Backrest

Environmental

Low VOC / Greenguard, Raw Materials sourced in same / neighbouring country, Cradle to Cradle / Design for Disassembly, Quality Policy, Recycleable content over 90%.

Dulwich Chair with Armrests

Designed by Alejandro Villarreal

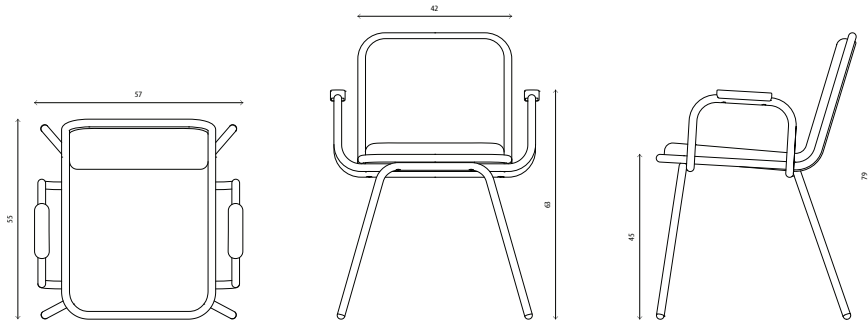


Elevating the classic Dulwich design with the addition of armrests, this Dulwich Chair with Armrests offers enhanced comfort and support without compromising its timeless appeal. The powder-coated metal frame provides a sturdy foundation, while the fire-retardant fabric upholstery ensures both safety and coziness. Seamlessly integrating into various spaces, the Dulwich Chair with Armrests is an ideal choice for dining rooms, home offices, restaurants, bars, coffee shops, and meeting rooms, adding a touch of sophistication and convenience to any setting.



Technical Information

Dulwich Chair with Armrests



Materials/Finishes

Powder Coated Metal Frame, Fire Retardant Foam and Fabric, Solid Beech Armrests
This product can be customised to different colors and finishes.



Black SKU: DWA101

Black RAL 9005 Frame
Plomo Fabric
Natural Beech Armrests



Grey SKU: DWA102

Grey RAL 7037 Frame
Oxford Fabric
Stained Beech Armrests



Brown SKU: DWA103

Brown RAL 8015 Frame
Shedron Fabric
Stained Beech Armrests



Green SKU: DWA104

Green RAL 6007 Frame
Verde Fabric
Natural Beech Armrests



Red SKU: DWA105

Red RAL 3005 Frame
Vino Fabric
Natural Beech Armrests



Blue SKU: DWA106

Blue RAL 5022 Frame
Marino Fabric
Natural Beech Armrests

Environmental

Low VOC / Greenguard, Raw Materials sourced in same / neighbouring country, Cradle to Cradle / Design for Disassembly, Quality Policy, Recycleable content over 90%.

Dulwich Rattan Chair with Armrests

Designed by Alejandro Villarreal

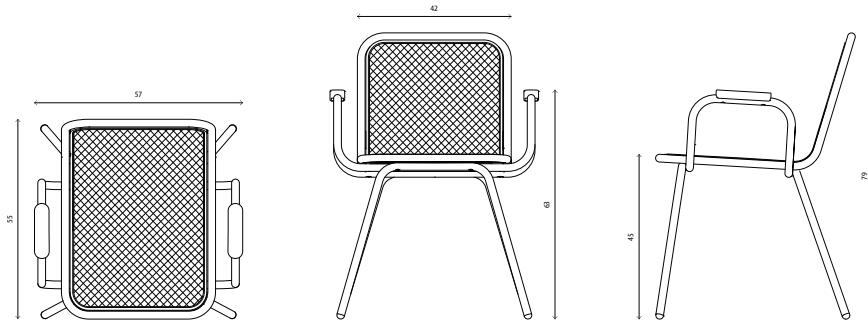


The Dulwich Rattan Chair with Armrests artfully combines the natural beauty of rattan with the practicality of armrests, creating a truly unique and comfortable seating experience. Retaining the powder-coated metal frame for durability, this iteration features rattan cane webbing on the seat and backrest, evoking an inviting, organic ambience. Perfect for dining rooms, home offices, restaurants, bars, coffee shops, and meeting rooms, the Dulwich Rattan Chair with Armrests embodies the harmonious fusion of style, comfort, and versatility that distinguishes the Dulwich collection.



Technical Information

Dulwich Rattan Chair with Armrests



Materials/Finishes

Powder Coated Metal Frame, Rattan Cane Webbing Seat and Backrest

This product can be customised to different colors and finishes.



Black SKU: DWAR101

Black RAL 9005 Frame
Rattan Cane Webbing Seat
Rattan Cane Webbing Backrest
Natural Beech Armrests

Environmental

Low VOC / Greenguard, Raw Materials sourced in same / neighbouring country, Cradle to Cradle / Design for Disassembly, Quality Policy, Recycleable content over 90%.

Tambor Chair

Designed by Alejandro Villarreal

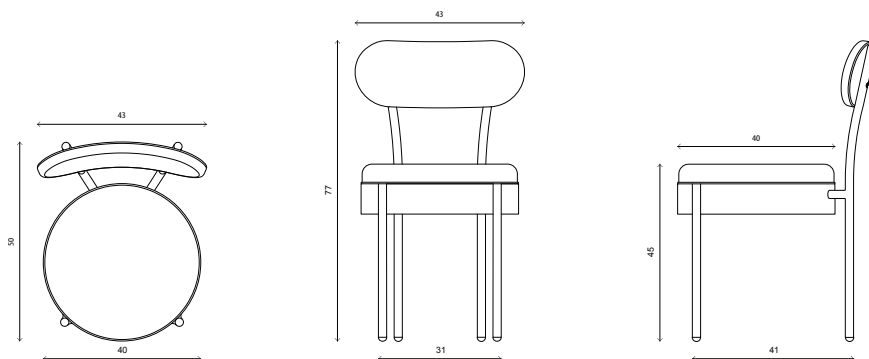


Evoking the glamour and sophistication of Art Deco furniture from the 1920s and 1930s, the Tambor Chair seamlessly combines vintage allure with modern functionality. Named after the Spanish word for “drum”, the chair’s cylindrical seating area and curved back legs reflect its unique character. The powder-coated metal frame ensures durability, while the fire-retardant fabric upholstery provides both comfort and safety. A versatile addition to any space, the Tambor Chair complements dining rooms, home offices, restaurants, bars, coffee shops, and meeting rooms with its timeless elegance and distinctive design.



Technical Information

Tambor Chair



Materials/Finishes

Powder Coated Metal Frame, Fire Retardant Foam and Fabric
This product can be customised to different colors and finishes.



Black SKU: TA101

Black RAL 9005 Frame
Plomo Fabric



Grey SKU: TA102

Grey RAL 7037 Frame
Oxford Fabric



Brown SKU: TA103

Brown RAL 8015 Frame
Shedron Fabric



Green SKU: TA104

Green RAL 6007 Frame
Verde Fabric



Red SKU: TA105

Red RAL 3005 Frame
Vino Fabric



Blue SKU: TA106

Blue RAL 5022 Frame
Marino Fabric

Environmental

Low VOC / Greenguard, Raw Materials sourced in same / neighbouring country, Cradle to Cradle / Design for Disassembly, Quality Policy, Recycleable content over 90%.

Alta Chair

Designed by Yonoh Studio

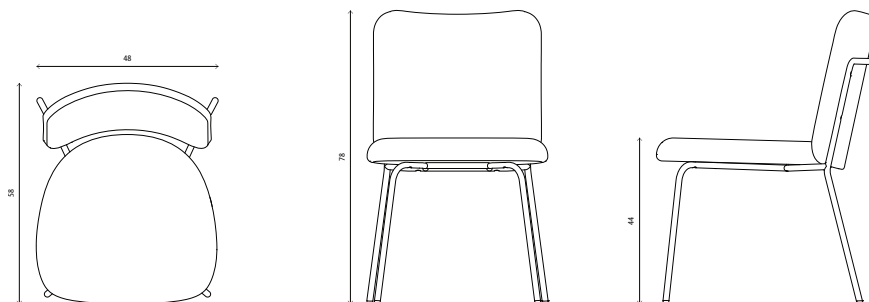


The Alta Chair epitomizes functionality without compromising style. Thoughtfully designed for comfort and practicality, this stackable, upholstered chair features a durable metal structure. The fusion of a geometric backrest and an organic seat creates an eye-catching contrast, while meticulous attention to ergonomics ensures a pleasant seating experience. The Alta Chair embodies a timeless, well-balanced design in which every element serves a purpose, making it an enduring addition to any space.



Technical Information

Alta Chair



Materials/Finishes

Powder Coated Metal Frame, Fire Retardant Foam and Fabric
This product can be customised to different colors and finishes.



Black SKU: ALT101

Black RAL 9005 Frame
Plomo Fabric



Grey SKU: ALT102

Grey RAL 7037 Frame
Oxford Fabric



Brown SKU: ALT103

Brown RAL 8015 Frame
Shedron Fabric



Green SKU: ALT104

Green RAL 6007 Frame
Verde Fabric



Red SKU: ALT105

Red RAL 3005 Frame
Vino Fabric



Blue SKU: ALT106

Blue RAL 5022 Frame
Marino Fabric

Environmental

Low VOC / Greenguard, Raw Materials sourced in same / neighbouring country, Cradle to Cradle / Design for Disassembly, Quality Policy, Recycleable content over 90%.

SLS Chair

Ultimate versatility and sustainability with the Second Life System





SLS chair different components

SLS Chair 1 Wooden Legs

Designed by Alejandro Villarreal

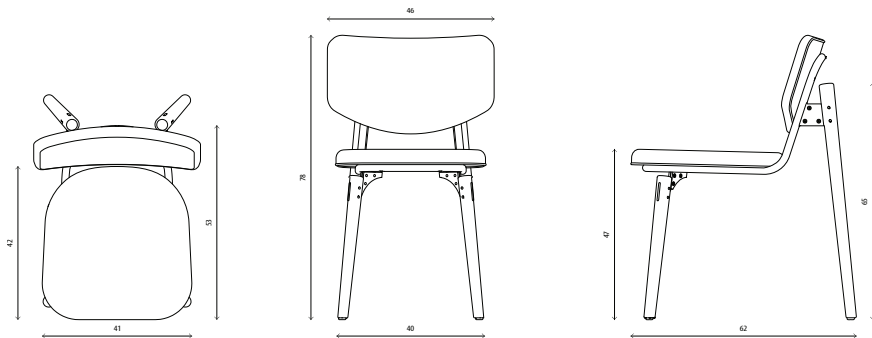


The Second Life System chair, or SLS chair, is a testament to versatility and sustainability. Comprising three distinct components—main frame, upholstery, and legs—this innovative chair enables effortless reconfiguration, maintenance, and recycling throughout its lifetime. Designed with an elegant and modern aesthetic, the SLS chair initially offers six different configurations, yet its modular nature allows for virtually endless possibilities as it adapts to changing needs and styles. Embodying ease of use and adaptability, the SLS chair is a dynamic and eco-conscious addition to dining rooms, home offices, restaurants, bars, coffee shops and meeting rooms.



Technical Information

SLS Chair 1 - Wooden legs



Materials/Finishes

Powder Coated Metal Frame, Fire Retardant Foam and Fabric, Solid Beech Legs
This product can be customised to different colors and finishes.



Black SKU: SLS-1-W-101

Black RAL 9005 Frame
Plomo Fabric
Natural Beech Legs



Grey SKU: SLS-1-W-102

Grey RAL 7037 Frame
Oxford Fabric
Stained Beech Legs



Brown SKU: SLS-1-W-103

Brown RAL 8015 Frame
Shedron Fabric
Stained Beech Legs



Green SKU: SLS-1-W-104

Green RAL 6007 Frame
Verde Fabric
Natural Beech Legs



Red SKU: SLS-1-W-105

Red RAL 3005 Frame
Vino Fabric
Natural Beech Legs



Blue SKU: SLS-1-W-106

Blue RAL 5022 Frame
Marino Fabric
Natural Beech Legs

Environmental

Low VOC / Greenguard, Raw Materials sourced in same / neighbouring country, Cradle to Cradle / Design for Disassembly, Quality Policy, Recycleable content over 90%.

SLS Chair 1 Metal Legs

Designed by Alejandro Villarreal

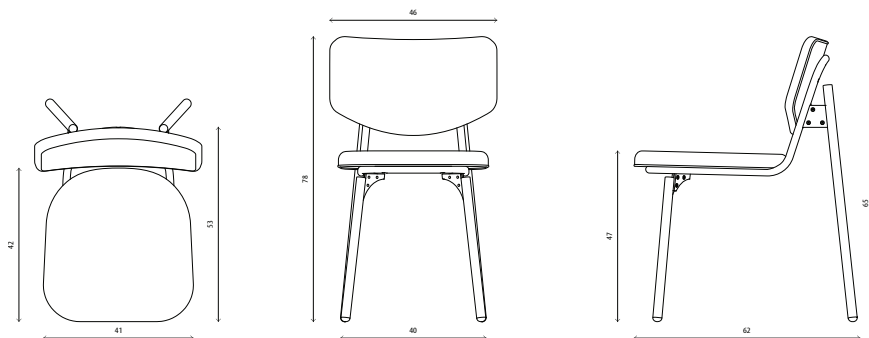


The Second Life System chair, or SLS chair, is a testament to versatility and sustainability. Comprising three distinct components—main frame, upholstery, and legs—this innovative chair enables effortless reconfiguration, maintenance, and recycling throughout its lifetime. Designed with an elegant and modern aesthetic, the SLS chair initially offers six different configurations, yet its modular nature allows for virtually endless possibilities as it adapts to changing needs and styles. Embodying ease of use and adaptability, the SLS chair is a dynamic and eco-conscious addition to dining rooms, home offices, restaurants, bars, coffee shops and meeting rooms.



Technical Information

SLS Chair 1 - Metal legs



Materials/Finishes

Powder Coated Metal Frame and Legs, Fire Retardant Foam and Fabric
This product can be customised to different colors and finishes.



Black SKU: SLS-1-M-101

Black RAL 9005 Frame
Plomo Fabric



Grey SKU: SLS-1-M-102

Grey RAL 7037 Frame
Oxford Fabric



Brown SKU: SLS-1-M-103

Brown RAL 8015 Frame
Shedron Fabric



Green SKU: SLS-1-M-104

Green RAL 6007 Frame
Verde Fabric



Red SKU: SLS-1-M-105

Red RAL 3005 Frame
Vino Fabric



Blue SKU: SLS-1-M-106

Blue RAL 5022 Frame
Marino Fabric

Environmental

Low VOC / Greenguard, Raw Materials sourced in same / neighbouring country, Cradle to Cradle / Design for Disassembly, Quality Policy, Recycleable content over 90%.

SLS Chair 2 Wooden Legs

Designed by Alejandro Villarreal

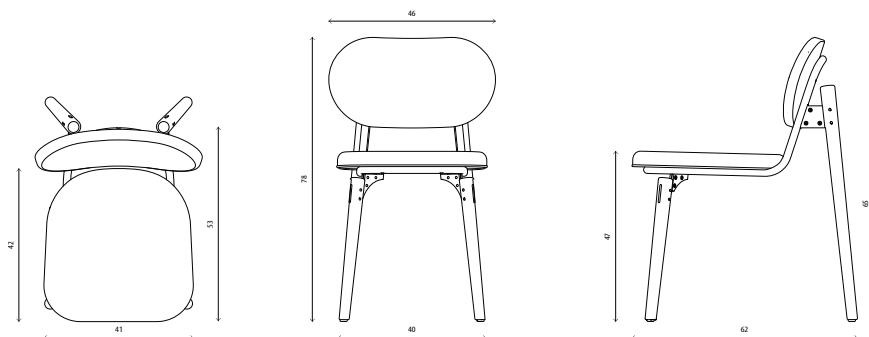


The Second Life System chair, or SLS chair, is a testament to versatility and sustainability. Comprising three distinct components—main frame, upholstery, and legs—this innovative chair enables effortless reconfiguration, maintenance, and recycling throughout its lifetime. Designed with an elegant and modern aesthetic, the SLS chair initially offers six different configurations, yet its modular nature allows for virtually endless possibilities as it adapts to changing needs and styles. Embodying ease of use and adaptability, the SLS chair is a dynamic and eco-conscious addition to dining rooms, home offices, restaurants, bars, coffee shops and meeting rooms.



Technical Information

SLS Chair 2 - Wooden legs



Materials/Finishes

Powder Coated Metal Frame, Fire Retardant Foam and Fabric, Solid Beech Legs
This product can be customised to different colors and finishes.



Black SKU: SLS-2-W-101

Black RAL 9005 Frame
Plomo Fabric
Natural Beech Legs



Grey SKU: SLS-2-W-102

Grey RAL 7037 Frame
Oxford Fabric
Stained Beech Legs



Brown SKU: SLS-2-W-103

Brown RAL 8015 Frame
Shedron Fabric
Stained Beech Legs



Green SKU: SLS-2-W-104

Green RAL 6007 Frame
Verde Fabric
Natural Beech Legs



Red SKU: SLS-2-W-105

Red RAL 3005 Frame
Vino Fabric
Natural Beech Legs



Blue SKU: SLS-2-W-106

Blue RAL 5022 Frame
Marino Fabric
Natural Beech Legs

Environmental

Low VOC / Greenguard, Raw Materials sourced in same / neighbouring country, Cradle to Cradle / Design for Disassembly, Quality Policy, Recycleable content over 90%.

SLS Chair 2 Metal Legs

Designed by Alejandro Villarreal

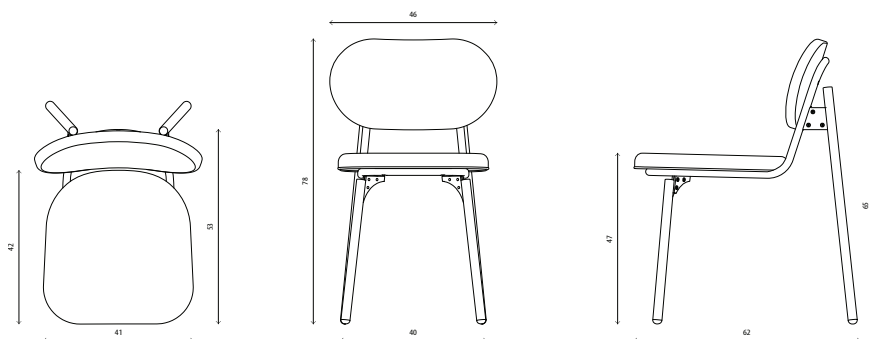


The Second Life System chair, or SLS chair, is a testament to versatility and sustainability. Comprising three distinct components—main frame, upholstery, and legs—this innovative chair enables effortless reconfiguration, maintenance, and recycling throughout its lifetime. Designed with an elegant and modern aesthetic, the SLS chair initially offers six different configurations, yet its modular nature allows for virtually endless possibilities as it adapts to changing needs and styles. Embodying ease of use and adaptability, the SLS chair is a dynamic and eco-conscious addition to dining rooms, home offices, restaurants, bars, coffee shops and meeting rooms.



Technical Information

SLS Chair 2 - Metal legs



Materials/Finishes

Powder Coated Metal Frame and Legs, Fire Retardant Foam and Fabric
This product can be customised to different colors and finishes.



Black SKU: SLS-2-M-101

Black RAL 9005 Frame
Plomo Fabric



Grey SKU: SLS-2-M-102

Grey RAL 7037 Frame
Oxford Fabric



Brown SKU: SLS-2-M-103

Brown RAL 8015 Frame
Shedron Fabric



Green SKU: SLS-2-M-104

Green RAL 6007 Frame
Verde Fabric



Red SKU: SLS-2-M-105

Red RAL 3005 Frame
Vino Fabric



Blue SKU: SLS-2-M-106

Blue RAL 5022 Frame
Marino Fabric

Environmental

Low VOC / Greenguard, Raw Materials sourced in same / neighbouring country, Cradle to Cradle / Design for Disassembly, Quality Policy, Recycleable content over 90%.

SLS Chair 3 Wooden Legs

Designed by Alejandro Villarreal

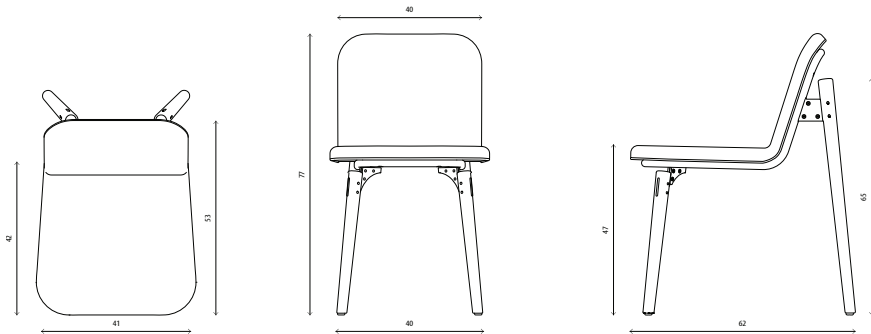


The Second Life System chair, or SLS chair, is a testament to versatility and sustainability. Comprising three distinct components—main frame, upholstery, and legs—this innovative chair enables effortless reconfiguration, maintenance, and recycling throughout its lifetime. Designed with an elegant and modern aesthetic, the SLS chair initially offers six different configurations, yet its modular nature allows for virtually endless possibilities as it adapts to changing needs and styles. Embodying ease of use and adaptability, the SLS chair is a dynamic and eco-conscious addition to dining rooms, home offices, restaurants, bars, coffee shops and meeting rooms.



Technical Information

SLS Chair 3 - Wooden legs



Materials/Finishes

Powder Coated Metal Frame, Fire Retardant Foam and Fabric, Solid Beech Legs
This product can be customised to different colors and finishes.



Black SKU: SLS-3-W-101

Black RAL 9005 Frame
Plomo Fabric
Natural Beech Legs



Grey SKU: SLS-3-W-102

Grey RAL 7037 Frame
Oxford Fabric
Stained Beech Legs



Brown SKU: SLS-3-W-103

Brown RAL 8015 Frame
Shedron Fabric
Stained Beech Legs



Green SKU: SLS-3-W-104

Green RAL 6007 Frame
Verde Fabric
Natural Beech Legs



Red SKU: SLS-3-W-105

Red RAL 3005 Frame
Vino Fabric
Natural Beech Legs



Blue SKU: SLS-3-W-106

Blue RAL 5022 Frame
Marino Fabric
Natural Beech Legs

Environmental

Low VOC / Greenguard, Raw Materials sourced in same / neighbouring country, Cradle to Cradle / Design for Disassembly, Quality Policy, Recycleable content over 90%.

SLS Chair 3 Metal Legs

Designed by Alejandro Villarreal

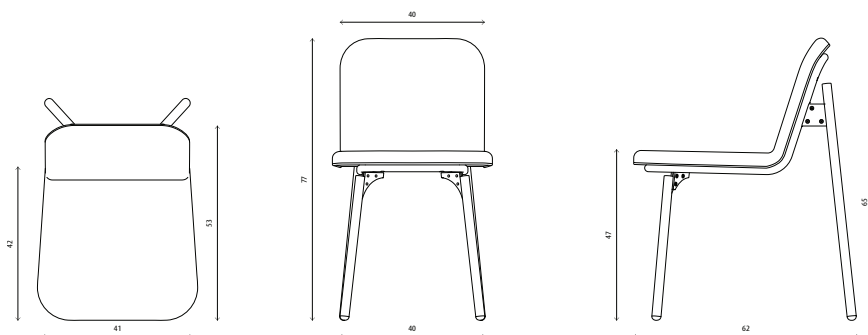


The Second Life System chair, or SLS chair, is a testament to versatility and sustainability. Comprising three distinct components—main frame, upholstery, and legs—this innovative chair enables effortless reconfiguration, maintenance, and recycling throughout its lifetime. Designed with an elegant and modern aesthetic, the SLS chair initially offers six different configurations, yet its modular nature allows for virtually endless possibilities as it adapts to changing needs and styles. Embodying ease of use and adaptability, the SLS chair is a dynamic and eco-conscious addition to dining rooms, home offices, restaurants, bars, coffee shops and meeting rooms.



Technical Information

SLS Chair 3 - Metal legs



Materials/Finishes

Powder Coated Metal Frame and Legs, Fire Retardant Foam and Fabric
This product can be customised to different colors and finishes.



Black SKU: SLS-3-M-101

Black RAL 9005 Frame
Plomo Fabric



Grey SKU: SLS-3-M-102

Grey RAL 7037 Frame
Oxford Fabric



Brown SKU: SLS-3-M-103

Brown RAL 8015 Frame
Shedron Fabric



Green SKU: SLS-3-M-104

Green RAL 6007 Frame
Verde Fabric



Red SKU: SLS-3-M-105

Red RAL 3005 Frame
Vino Fabric



Blue SKU: SLS-3-M-106

Blue RAL 5022 Frame
Marino Fabric

Environmental

Low VOC / Greenguard, Raw Materials sourced in same / neighbouring country, Cradle to Cradle / Design for Disassembly, Quality Policy, Recycleable content over 90%.

Dune Chair

Designed by Pauline Plus Luis

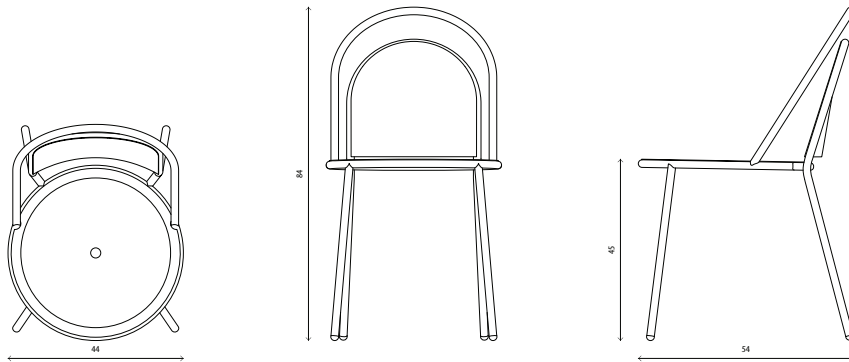


The design of the Dune chair is based on the repeated shape of the arch, architectural and mathematical. This chair has an elegant and light aesthetic and is suitable both for indoors and outdoors. Made in powder coated high carbon steel and stackable up to 2 units.



Technical Information

Dune Chair



Materials / Finishes

Powder Coated High Carbon Steel, Outdoor Suitable
This product can be customised to different colors and finishes.



Black SKU: DU201

Black RAL 9005 Frame



Red SKU: DU202

Deep Red Matte RAL 3005 Frame



Green SKU:DU203

Mint Green Matte RAL 6011 Frame

Environmental

Low VOC/ Greenguard, Raw Materials sourced in same / neighbouring country, Cradle to Cradle / Quality Policy, Recycleable content over 90%.

Otto Chair

Designed by Alejandro Villarreal

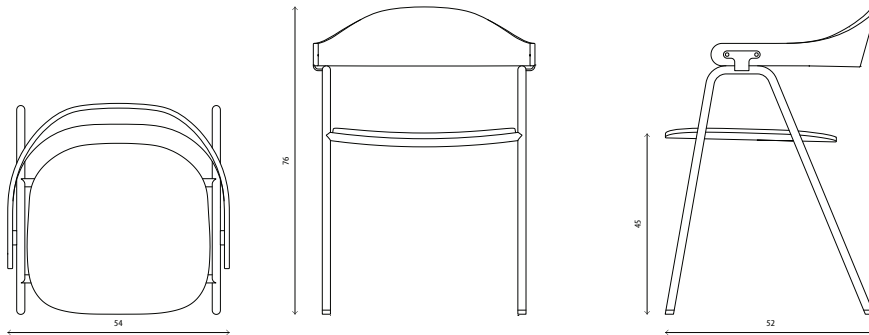


The Otto Chair is a playful and sophisticated piece that blends a simple and functional metal frame, with a sculptural and warm plywood backrest and seating area. The metal connector between the armrest and the metal frame adds a clear and distinctive touch. The chair is stackable up to 4 chairs and all the components of the chair are easily detachable, aiding in the process of maintenance, renovation and recycling.



Technical Information

Otto Chair



Materials / Finishes

Powder Coated Steel Base, Stained Veneer on Formed Plywood.
Also available in COM upon request for the seating pad.



Oak & Black SKU: OT201

Black RAL 9005 Base
Oak Seat
Oak Back



Oak & White SKU: OT202

White RAL 9003 Base
Oak Seat
Oak Back



Walnut & Black SKU: OT205

Black RAL 9005 Base
Walnut Seat
Walnut Back

Environmental

FSC or Equivalent, Low VOC/ Greenguard, ISO 9001, Raw Materials sourced in same/ neighbouring country, Cradle to Cradle/ Design for Disassembly, Quality Policy, Recycleable content over 90%, Renewable energy used in factory.

Otto Chair CS

Playful yet sophisticated
Color Series



Otto Chair Colour Series

Designed by Alejandro Villarreal



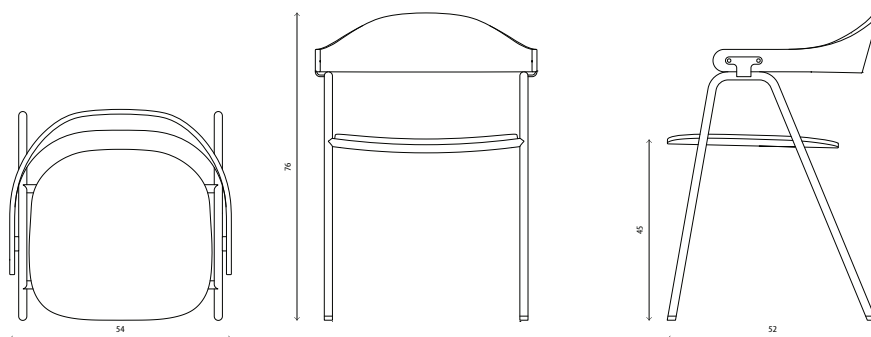
The Otto chair is a playful and sophisticated piece that blends a simple and functional metal frame, with a sculptural and warm plywood backrest and seating area. The metal connector between the armrest and the metal frame adds a clear and distinctive touch. The chair is stackable up to 4 chairs and all the components of the chair are easily detachable, aiding in the process of repair, renovation and recycling.

With an extended Colour Series adding even further to the uniqueness of this chair, the Otto Chair Colour Series has been created by our Founder and Lead Designer Alejandro Villarreal. The Otto Colour Series is available in a selection of six colourways.



Technical Information

Otto Chair - Colour Series



Materials / Finishes

Powder Coated Steel Base, Stained Veneer on Formed Plywood.



CS1 SKU: OTCS1

Natural oak Backrest
Red RAL 3028 Metal frame
Blue RAL 5022 Seat



CS2 SKU: OTCS2

Natural walnut Backrest
Bottle Green RAL 6007 Metal frame
Antique Pink RAL 3014 Seat



CS3 SKU: OTCS3

Black RAL 9005 Backrest
Blue RAL 5022 Metal frame
Green RAL 6037 Seat



CS4 SKU: OTCS4

Pink RAL 3014 Backrest
Deep red RAL 3005 Metal frame
Grey RAL 7026 Seat



CS5 SKU: OTCS5

Red RAL 3028 Backrest
Yellow RAL 1018 Metal frame
Green RAL 6037 Seat



CS6 SKU: OTCS6

Blue RAL 5022 Backrest
Pale blue RAL 5024 Metal frame
Orange RAL 2004 Seat

Environmental

FSC or Equivalent, Low VOC / Greenguard, ISO 9001, Raw Materials sourced in same/ neighbouring country, Cradle to Cradle / Design for Disassembly, Quality Policy, Recycleable content over 90%, Renewable energy used in factory.

Otto Task Chair 4 Legs

Designed by Alejandro Villarreal



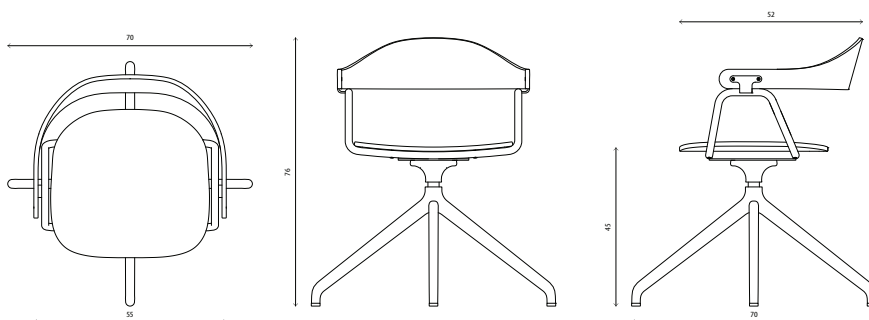
The Otto task chair is a playful and sophisticated piece that blends a simple and functional metal frame, with a sculptural and warm plywood backrest and seating area. The metal connector between the armrest and the metal frame adds a clear and distinctive touch. All the components of the task chair are easily detachable, aiding in the process of reparation, renovation and recycling.

The task chair includes a comfortable upholstered pad on the backrest and a 4 star aluminium black Donati base.



Technical Information

Otto Task Chair - 4 legs



Materials / Finishes

Powder Coated Steel Base, Stained Veneer on Formed Plywood, 4 Star Aluminium Black Donati Base.



Oak & Fabric SKU: OTT4-01

Black Star Base
Black RAL 9005 Metal
Plomo Fabric
Natural Oak Back



Oak & Leather SKU: OTT4-02

Black Star Base
Black RAL 9005 Metal
Black leather
Natural Oak Back



Black & Fabric SKU: OTT4-03

Black Star Base
Black RAL 9005 Metal
Plomo Fabric
Black Stained Oak Back



Black & Leather SKU: OTT4-04

Black Star Base
Black RAL 9005 Metal
Black leather
Black Stained Back

Environmental

FSC or Equivalent, Low VOC/ Greenguard, ISO 9001, Raw Materials sourced in same/ neighbouring country, Cradle to Cradle/ Design for Disassembly, Quality Policy, Recycleable content over 90%, Renewable energy used in factory.

Otto Task Chair 5 Legs

Designed by Alejandro Villarreal



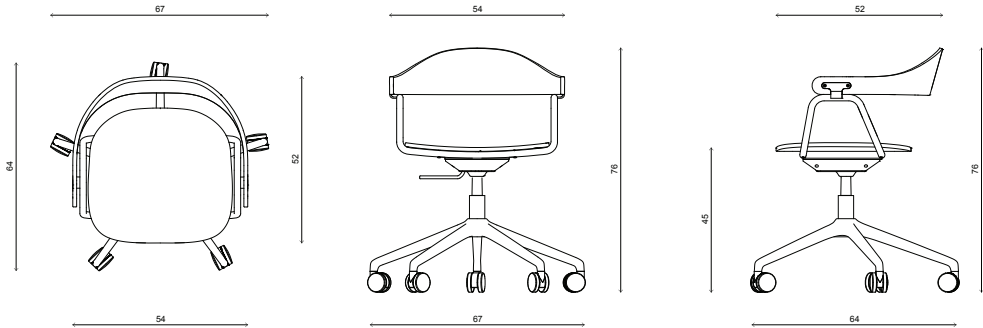
The Otto task chair is a playful and sophisticated piece that blends a simple and functional metal frame, with a sculptural and warm plywood backrest and seating area. The metal connector between the armrest and the metal frame adds a clear and distinctive touch. All the components of the task chair are easily detachable, aiding in the process of reparation, renovation and recycling.

The task chair includes a comfortable upholstered pad on the backrest and a 5 star aluminium black Donati base with castor wheels.



Technical Information

Otto Task Chair - 5 legs with castor wheels



Materials / Finishes

Powder Coated Steel Base, Stained Veneer on Formed Plywood
5 star aluminium black Donati base with castor wheels.



Oak & Fabric SKU: OTT5-01

Black Star Base
Black RAL 9005 Metal
Plomo Fabric
Natural Oak Back



Oak & Leather SKU: OTT5-02

Black Star Base
Black RAL 9005 Metal
Black leather
Black stained Back



Black & Fabric SKU: OTT5-03

Black Star Base
Black RAL 9005 Metal
Plomo Fabric
Black Stained Oak Back



Black & Leather SKU: OTT5-04

Black Star Base
Black RAL 9005 Metal
Black leather
Black Stained Back

Environmental

FSC or Equivalent, Low VOC/ Greenguard, ISO 9001, Raw Materials sourced in same/ neighbouring country, Cradle to Cradle/ Design for Disassembly, Quality Policy, Recycleable content over 90%, Renewable energy used in factory.

WW Chair

Designed by Alejandro Villarreal

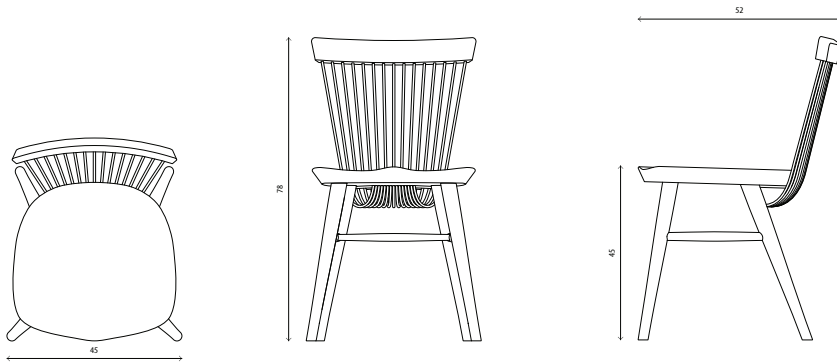


Based on a modern Windsor design, the WW Chair, where the first 'W' stands for Windsor and the second for Wire is an iconic piece of furniture. Produced from solid oak with the unique 'wire' backrest formed from mild steel rods which are delicately bent and secured beneath the seat, suggesting suspended cord and adding a lightness to what is a very robust piece of furniture.



Technical Information

WW Chair



Materials / Finishes

Solid Oak Back Rail, Powder Coated 6mm Mild Steel Rods, Solid Oak Seat, Solid Oak Legs
This product can be customised to different colors and finishes.



Oak & Black SKU: WW201

Natural Oak Back Rail
Black RAL 9005 Steel Rods
Natural Oak Seat
Natural Oak Legs



Black SKU: WW202

Black Oak Back Rail
Black RAL 9005 Steel Rods
Black Oak Seat
Black Oak Legs

Environmental

FSC or Equivalent, Low VOC/ Greenguard, ISO 9001, Raw Materials sourced in same/ neighbouring country, Cradle to Cradle/ Design for Disassembly, Quality Policy, Recycleable content over 50%, Renewable energy used in factory.



Family home, London, Francesco Pierazzi Architects

WW Chair Colour Series

Designed by Alejandro Villarreal + Studio Makgill



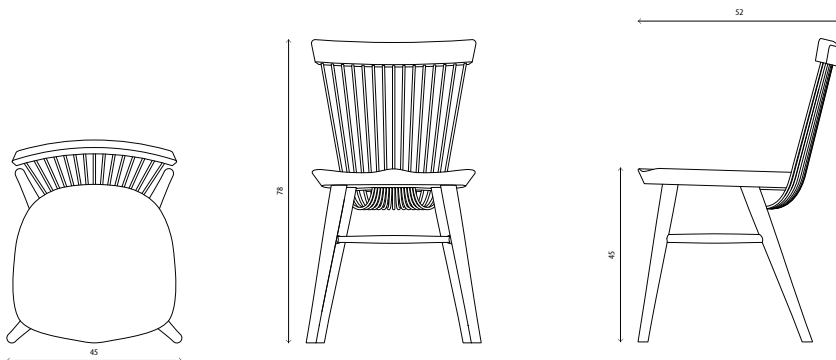
Based on a modern Windsor design, the WW Chair, where the first 'W' stands for Windsor and the second for Wire is an iconic piece of furniture. Produced from solid oak with the unique 'wire' backrest formed from mild steel rods which are delicately bent and secured beneath the seat, suggesting suspended cord and adding a lightness to what is a very robust piece of furniture.

With an extended Colour Series adding even further to the uniqueness of this chair, the WW Chair Colour Series has been created in collaboration with the Brighton-based branding agency Studio Makgill. The WW Colour Series is available in a selection of six colourways.



Technical Information

WW Chair - Colour Series



Materials / Finishes

Solid Oak Back Rail, Powder Coated 6mm Mild Steel Rods, Solid Oak Seat, Solid Oak Legs
This product can be customised to different colors and finishes.



CS1 SKU: WW2CS1

Pink RAL 3015 Back Rail
Pink RAL 3015 Steel Rods
Red RAL 3028 Seat
Natural Oak Legs



CS2 SKU: WW2CS2

Green RAL 6037 Back Rail
Deep Blue RAL 5008 Steel Rods
White RAL 9016 Seat
White RAL 9016 Legs



CS3 SKU: WW2CS3

Natural Oak Back Rail
Red RAL 3028 Steel Rods
Deep Blue RAL 5008 Seat
Light Blue RAL 6027 Legs



CS4 SKU: WW2CS4

Light Blue RAL 6027 Back Rail
Green RAL 6037 Steel Rods
Light Blue RAL 6027 Seat
Red RAL 3028 Legs



CS5 SKU: WW2CS5

White RAL 9016 Back Rail
White RAL 9016 Steel Rods
Natural Oak Seat
Green RAL 6037 Legs



CS6 SKU: WW2CS6

Deep Blue RAL 5008 Back Rail
Light Blue RAL 6027 Steel Rods
Deep Blue RAL 5008 Seat
Deep Blue RAL 5008 Legs

Environmental

FSC or Equivalent, Low VOC/ Greenguard, ISO 9001, Raw Materials sourced in same/ neighbouring country, Cradle to Cradle/ Design for Disassembly, Quality Policy, Recycleable content over 50%, Renewable energy used in factory.

WW Armchair CS3

Designed by Alejandro Villarreal + Studio Makgill



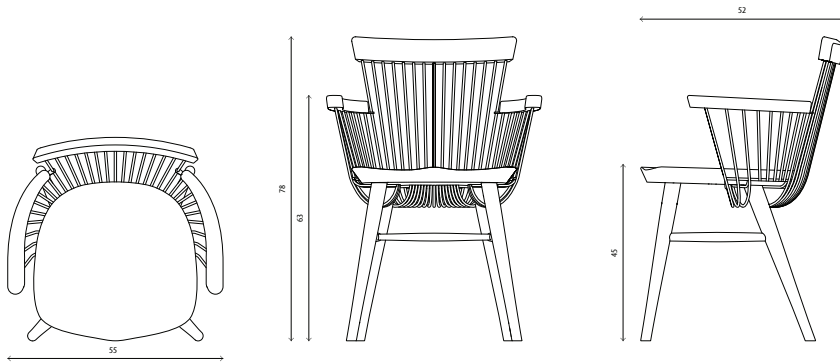
Based on a modern Windsor design, the WW Armchair CS3, where the first 'W' stands for Windsor and the second for Wire is an iconic piece of furniture. Produced from solid oak with the unique 'wire' backrest formed from mild steel rods which are delicately bent and secured beneath the seat, suggesting suspended cord and adding a lightness to what is a very robust piece of furniture.

The WW Armchair CS3 has been created in collaboration with the Brighton-based branding agency Studio Makgill.



Technical Information

WW Armchair CS3



Materials / Finishes

Solid Oak Back Rail, Powder Coated 6mm Mild Steel Rods, Solid Oak Armrests, Solid Oak Seat, Solid Oak Legs



CS3 SKU: WW1CS3

Natural Oak Back Rail
Red RAL 3028 Steel Rods
Natural Oak Armrests
Deep Blue RAL 5008 Seat

Environmental

FSC or Equivalent, Low VOC/ Greenguard, ISO 9001, Raw Materials sourced in same/ neighbouring country, Cradle to Cradle/ Design for Disassembly, Quality Policy, Recycleable content over 50%, Renewable energy used in factory.

W-Tube Chair

Designed by Alejandro Villarreal

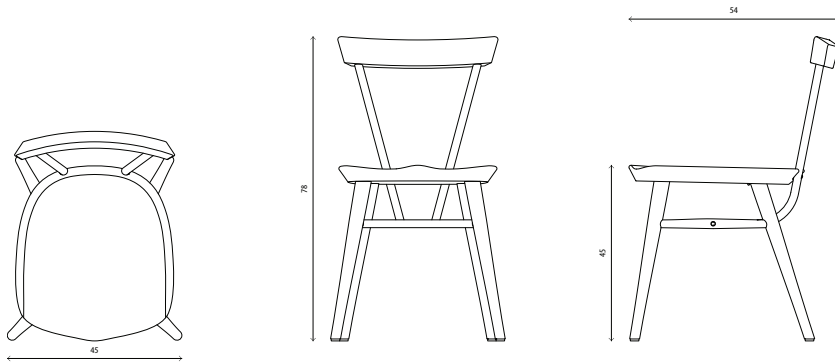


The W-Tube Chair reimagines the classic Windsor chair, melding the warmth of solid oak with the contemporary appeal of robust powder-coated metal tube. This inspired design sees the metal tubes forming the backrest structure, seamlessly integrating with the wooden frame for a harmonious fusion of materials. The W-Tube Chair's unique aesthetic effortlessly complements dining rooms, home offices, restaurants, bars, cafeterias, and meeting rooms, offering a modern twist on a timeless design that elevates any space with its distinctive character.



Technical Information

W-Tube Chair



Materials/Finishes

Solid Oak Back Rail, Powder Coated Metal Tube, Solid Oak Seat, Solid Oak Legs
This product can be customised to different colors and finishes.



Oak & Black SKU: WTU101

Natural Oak Back Rail
Black RAL 9005 Metal tube
Natural Oak Seat
Natural Oak Legs



Black SKU: WTU102

Black stained Back Rail
Black RAL 9005 Metal tube
Black stained Oak Seat
Black stained Oak Legs

Environmental

Low VOC / Greenguard, Raw Materials sourced in same/ neighbouring country, Cradle to Cradle / Design for Disassembly, Quality Policy, Recycleable content over 50%.

Loom Chair

Designed by Alejandro Villarreal



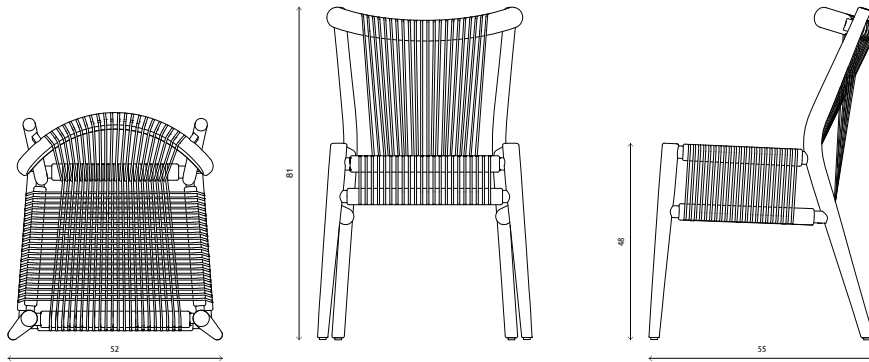
The Loom Chair was inspired by the traditional wooden looms of Oaxaca in Mexico. The frame is made of solid oak and the cord is made of polypropylene. The chairs are sanded and finished by hand, a process that takes around a day for two people.

Because of the combination of materials, the Loom Chair remains surprisingly light and portable, yet still highly resistant. Comfortable, practical and elegant, it suits perfectly on dining rooms, home office, restaurants, bars, cafeterias and meeting rooms.



Technical Information

Loom Chair



Materials/Finishes

Solid Oak Structure, 4.5mm Polypropylene Cord

This product can be customised to different colors and finishes.



Oak & Black SKU: L101

Natural Oak Wood
Black Polypropylene Cord



Black SKU: L102

Black Stained Wood
Black Polypropylene Cord

Environmental

Low VOC / Greenguard, Raw Materials sourced in same/ neighbouring country, Cradle to Cradle / Design for Disassembly, Quality Policy, Recycleable content over 50%.

Loom Rounded Chair

Designed by Alejandro Villarreal



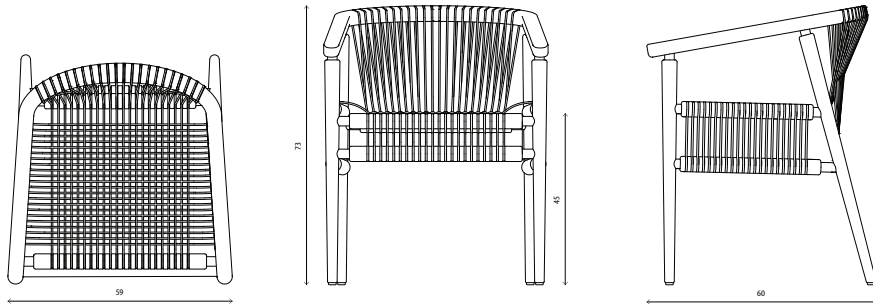
The Loom Rounded Chair was inspired by the traditional wooden looms of Oaxaca in Mexico. The curved frame is made of solid oak and the cord is made of polypropylene. The chairs are sanded and finished by hand, a process that takes around a day for two people.

Because of the combination of materials, the Loom Rounded Chair remains surprisingly light and portable, yet still highly resistant. Comfortable, practical and elegant, it suits perfectly on dining rooms, home office, restaurants, bars, cafeterias and meeting rooms.



Technical Information

Loom Rounded Chair



Materials/Finishes

Solid Oak Structure, 4.5mm Polypropylene Cord

This product can be customised to different colors and finishes.



Oak & Black SKU: LC101

Natural Oak Wood
Black Polypropylene Cord



Black SKU: LC102

Black Stained Oak Wood
Black Polypropylene Cord

Environmental

Low VOC / Greenguard, Raw Materials sourced in same/ neighbouring country, Cradle to Cradle / Design for Disassembly, Quality Policy, Recycleable content over 50%.

Cuerdas Chair

Designed by Alejandro Villarreal

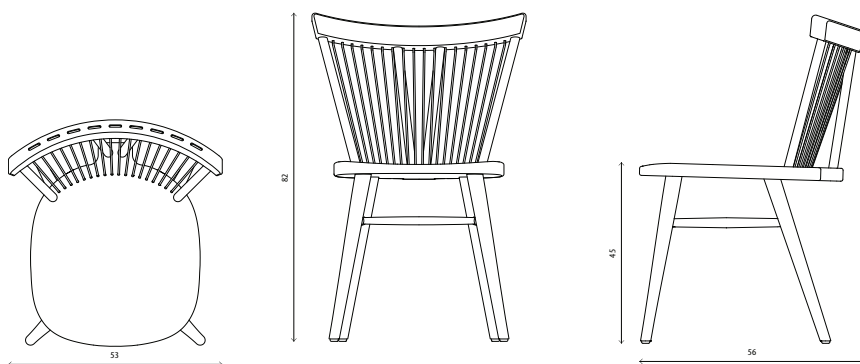


The Cuerdas Chair artfully reinterprets the classic Windsor chair, incorporating the warmth of solid oak with the distinctive touch of woven cords. In this innovative design, the wooden backrest is supported by four robust 22mm solid wood components, while the polypropylene cords are skillfully woven directly into the wood, from the seating area to the backrest. The name “Cuerdas,” meaning cords in Spanish, celebrates the chair’s unique fusion of materials and design elements. The Cuerdas Chair adds a dash of modernity and character to any space, effortlessly enhancing dining rooms, home offices, restaurants, bars, and other settings with its creative flair and timeless charm.



Technical Information

Cuerdas Chair



Materials/Finishes

Solid Oak Structure, 4.5mm Polypropylene Cord

This product can be customised to different colors and finishes.



Oak & Black SKU: CU101

Natural Oak Wood
Black Polypropylene Cord



Black SKU: CU102

Black Stained Oak Wood
Black Polypropylene Cord

Environmental

Low VOC / Greenguard, Raw Materials sourced in same/ neighbouring country, Cradle to Cradle / Design for Disassembly, Quality Policy, Recycleable content over 50%.

Cuerdas Rounded Chair

Designed by Alejandro Villarreal

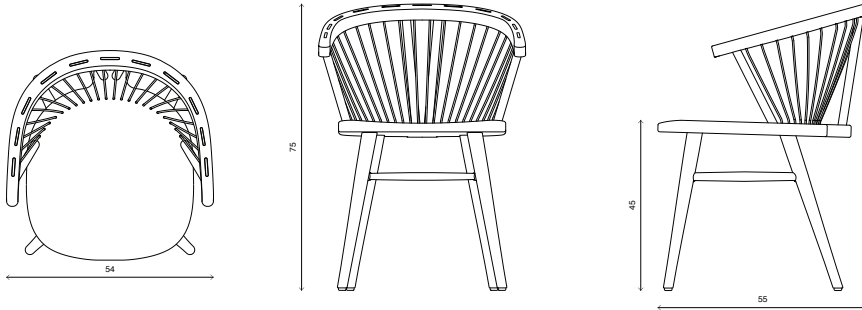


The Cuerdas Rounded Chair offers a fresh take on the classic Windsor chair, seamlessly blending solid oak with the unique element of woven cords. Named “Cuerdas,” which translates to cords in Spanish, this inspired design showcases a sculptural curved wooden backrest, lending an air of sophistication to its aesthetic. Four robust 22mm solid wood components support the backrest, while the polypropylene cords are skillfully woven directly into the wood, from the seating area to the backrest. The Cuerdas Rounded Chair adds a contemporary and artistic touch to any space, elevating dining rooms, home offices, restaurants, bars, and other settings with its innovative design and timeless appeal.



Technical Information

Cuerdas Rounded Chair



Materials/Finishes

Solid Oak Structure, 4.5mm Polypropylene Cord

This product can be customised to different colors and finishes.



Oak & Black SKU: CUC101

Natural Oak Wood
Black Polypropylene Cord



Black SKU: CUC102

Black Stained Oak Wood
Black Polypropylene Cord

Environmental

Low VOC / Greenguard, Raw Materials sourced in same/ neighbouring country, Cradle to Cradle / Design for Disassembly, Quality Policy, Recycleable content over 50%.

Tornasol Chair

Designed by Alejandro Villarreal



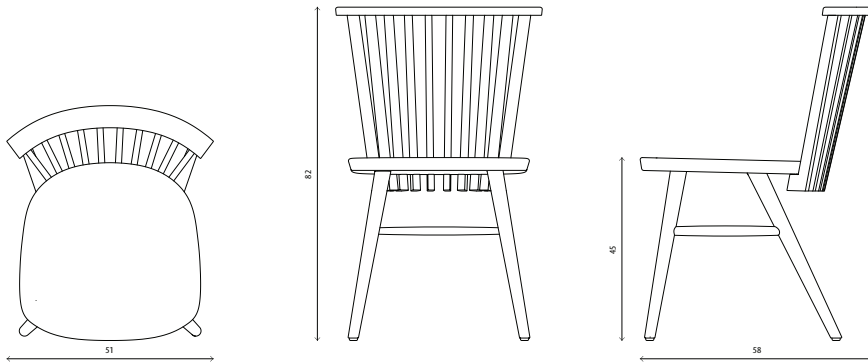
The Tornasol Chair captivates with its ingenious use of solid oak and color, creating a dynamic and visually engaging seating experience. The wooden backrest is composed of several flat solid wood components, each featuring a different color on opposing sides. This innovative design introduces a sense of visual rhythm, as well as a play of light and shadows, creating a fascinating kinetic experience as colors change with movement and perspective.

With its unique aesthetic and clever use of materials, the Tornasol Chair can be painted in any color of the RAL color spectrum, adding freedom to the client and a touch of artistic flair to any setting that appreciates bold design and timeless craftsmanship.



Technical Information

Tornasol Chair



Materials/Finishes

Solid Oak Structure

This product can be customised to different colors and finishes.



Oak, Green & Pink SKU: TO101

Natural Oak Wood
Bottle Green RAL 6007
Antique Pink RAL 3014



Black, Green & Blue SKU: TO102

Black Stained Oak Wood
Green RAL 6037
Blue RAL 5022

Environmental

Low VOC / Greenguard, Raw Materials sourced in same/ neighbouring country, Cradle to Cradle / Design for Disassembly, Quality Policy, Recycleable content over 50%.

Tornasol Rounded Chair

Designed by Alejandro Villarreal



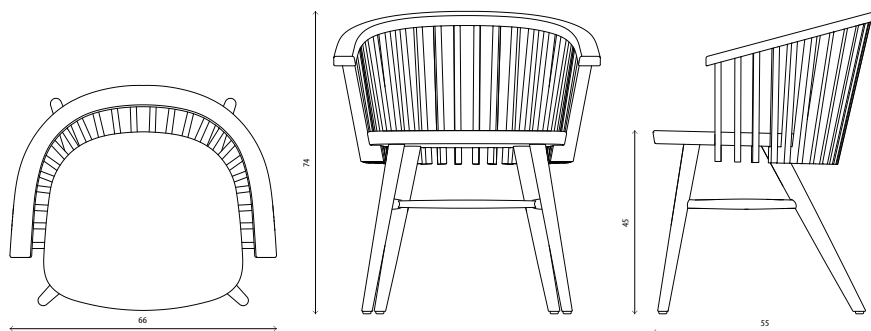
The Tornasol Rounded Chair takes a fresh approach to the solid oak chair, featuring an inviting curved wooden backrest crafted from several flat solid wood components. Each component displays a different color on opposing sides, adding a sense of visual rhythm and a play of light and shadows to the design. The unique construction creates an engaging kinetic experience, as colors shift and change depending on movement and perspective.

With its unique aesthetic and clever use of materials, the Tornasol Rounded Chair can be painted in any color of the RAL color spectrum, adding freedom to the client and a touch of artistic flair to any space.



Technical Information

Tornasol Rounded Chair



Materials/Finishes

Solid Oak Structure

This product can be customised to different colors and finishes.



Oak, Green & Pink SKU: TOC101

Natural Oak Wood
Bottle Green RAL 6007
Antique Pink RAL 3014



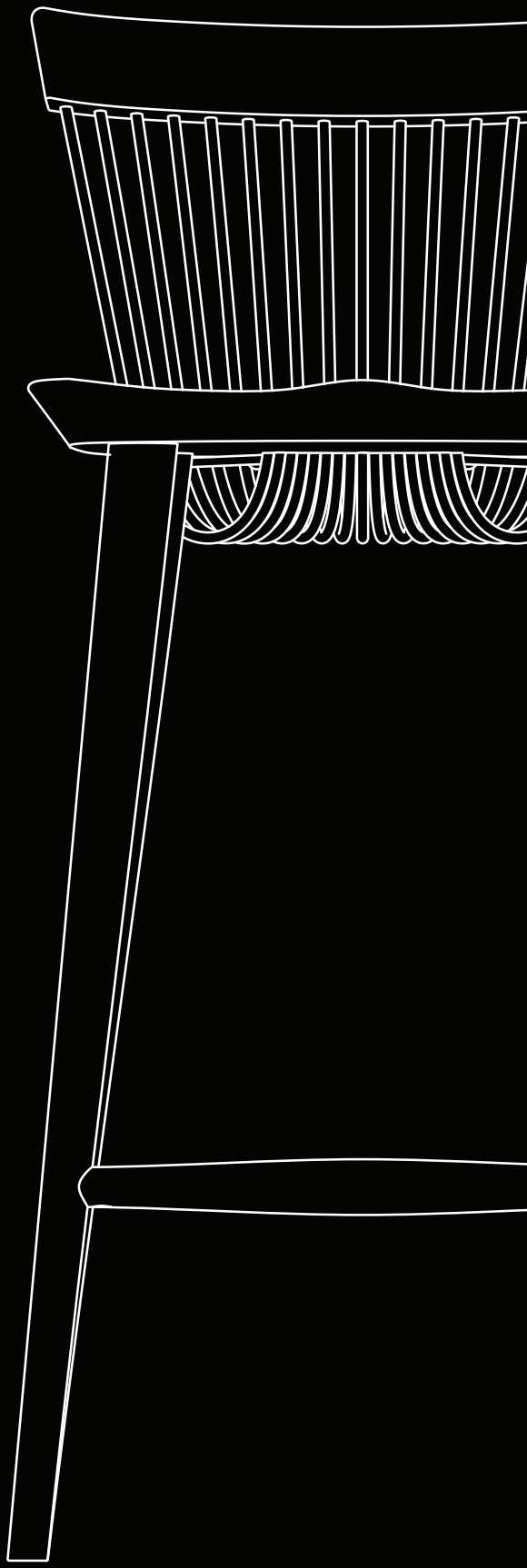
Black, Green & Blue SKU: TOC102

Black Stained Oak Wood
Green RAL 6037
Blue RAL 5022

Environmental

Low VOC / Greenguard, Raw Materials sourced in same/ neighbouring country, Cradle to Cradle / Design for Disassembly, Quality Policy, Recycleable content over 50%.

Stools



WW Bar Stool

Designed by Alejandro Villarreal

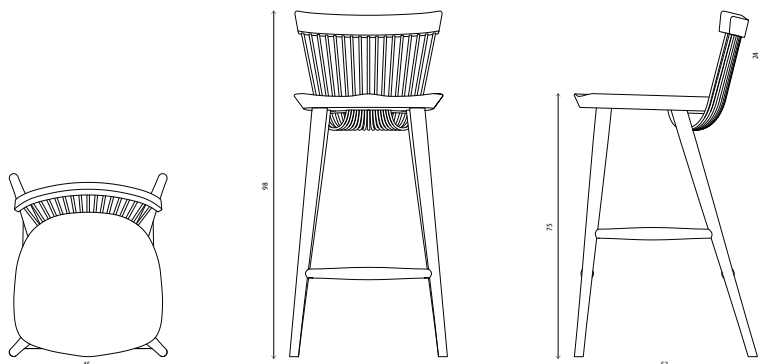


Based on a modern Windsor design, the WW bar stool, where the first 'W' stands for Windsor and the second for Wire is an iconic piece of furniture. Produced from solid oak with the unique 'wire' backrest formed from mild steel rods which are delicately bent and secured beneath the seat, suggesting suspended cord and adding a lightness to what is a very robust piece of furniture. With an extended Colour Series adding even further to the uniqueness of this piece.



Technical Information

WW Bar Stool



Materials / Finishes

Solid Oak Back Rail, Powder Coated 6mm Mild Steel Rods, Solid Oak Seat, Solid Oak Legs
This product can be customised to different colors and finishes.



Oak & Black SKU: WW301

Natural Oak Back Rail
Black RAL 9005 Steel Rods
Natural Oak Seat
Natural Oak Legs



Black SKU: WW302

Black Oak Back Rail
Black RAL 9005 Steel Rods
Black Oak Seat
Black Oak Legs

Environmental

FSC or Equivalent, Low VOC/ Greenguard, ISO 9001, Raw Materials sourced in same/ neighbouring country, Cradle to Cradle/ Design for Disassembly, Quality Policy, Recycleable content over 50%, Renewable energy used in factory.

WW Bar Stool Colour Series

Designed by Alejandro Villarreal + Studio Makgill



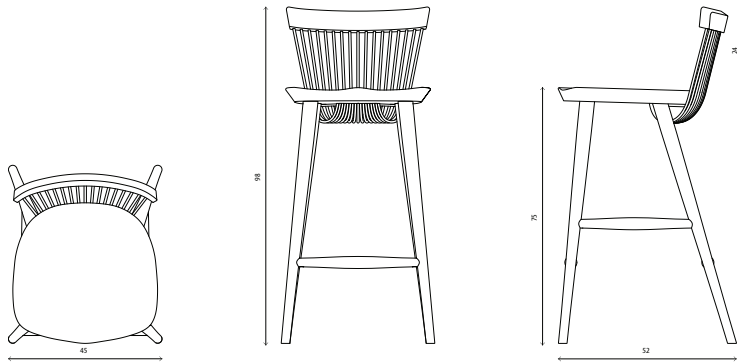
Based on a modern Windsor design, the WW bar stool, where the first 'W' stands for Windsor and the second for Wire is an iconic piece of furniture. Produced from solid oak with the unique 'wire' backrest formed from mild steel rods which are delicately bent and secured beneath the seat, suggesting suspended cord and adding a lightness to what is a very robust piece of furniture.

With an extended Colour Series adding even further to the uniqueness of this piece, the WW Bar Stool - Colour Series has been created in collaboration with the Brighton-based branding agency Studio Makgill. The WW Colour Series is available in a selection of six colourways.



Technical Information

WW Bar Stool - Colour Series



Materials / Finishes

Solid Oak Back Rail, Powder Coated 6mm Mild Steel Rods, Solid Oak Seat, Solid Oak Legs
This product can be customised to different colors and finishes.



CS1 SKU: WW3CS1

Pink RAL 3015 Back Rail
Pink RAL 3015 Steel Rods
Red RAL 3028 Seat
Natural Oak Legs



CS2 SKU: WW3CS2

Green RAL 6037 Back Rail
Deep Blue RAL 5008 Steel Rods
White RAL 9016 Seat
White RAL 9016 Legs



CS3 SKU: WW3CS3

Natural Oak Back Rail
Red RAL 3028 Steel Rods
Deep Blue RAL 5008 Seat
Light Blue RAL 6027 Legs



CS4 SKU: WW3CS4

Light Blue RAL 6027 Back Rail
Green RAL 6037 Steel Rods
Light Blue RAL 6027 Seat
Red RAL 3028 Legs



CS5 SKU: WW3CS5

White RAL 9016 Back Rail
White RAL 9016 Steel Rods
Natural Oak Seat
Green RAL 6037 Legs



CS6 SKU: WW3CS6

Deep Blue RAL 5008 Back Rail
Light Blue RAL 6027 Steel Rods
Deep Blue RAL 5008 Seat
Deep Blue RAL 5008 Legs

Environmental

FSC or Equivalent, Low VOC/ Greenguard, ISO 9001, Raw Materials sourced in same/ neighbouring country, Cradle to Cradle/ Design for Disassembly, Quality Policy, Recycleable content over 50%, Renewable energy used in factory.

WW Counter Stool

Designed by Alejandro Villarreal

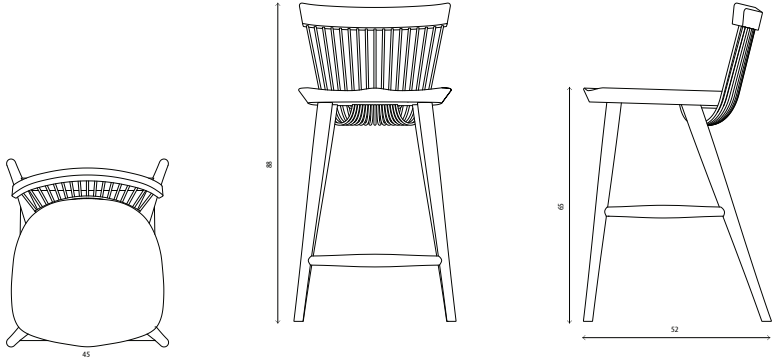


Based on a modern Windsor design, the WW counter stool, where the first 'W' stands for Windsor and the second for Wire is an iconic piece of furniture. Produced from solid oak with the unique 'wire' backrest formed from mild steel rods which are delicately bent and secured beneath the seat, suggesting suspended cord and adding a lightness to what is a very robust piece of furniture. With an extended Colour Series adding even further to the uniqueness of this piece.



Technical Information

WW Counter Stool



Materials / Finishes

Solid Oak Back Rail, Powder Coated 6mm Mild Steel Rods, Solid Oak Seat, Solid Oak Legs
This product can be customised to different colors and finishes.



Oak & Black SKU: WW401

Natural Oak Back Rail
Black RAL 9005 Steel Rods
Natural Oak Seat
Natural Oak Legs



Black SKU: WW402

Black Oak Back Rail
Black RAL 9005 Steel Rods
Black Oak Seat
Black Oak Legs

Environmental

FSC or Equivalent, Low VOC/ Greenguard, ISO 9001, Raw Materials sourced in same/ neighbouring country, Cradle to Cradle/ Design for Disassembly, Quality Policy, Recycleable content over 50%, Renewable energy used in factory.

WW Counter Stool Colour Series

Designed by Alejandro Villarreal + Studio Makgill



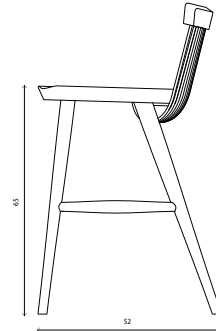
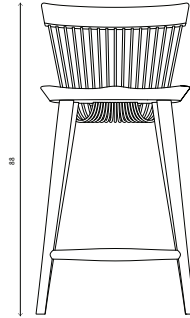
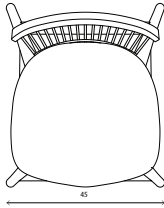
Based on a modern Windsor design, the WW counter stool, where the first 'W' stands for Windsor and the second for Wire is an iconic piece of furniture. Produced from solid oak with the unique 'wire' backrest formed from mild steel rods which are delicately bent and secured beneath the seat, suggesting suspended cord and adding a lightness to what is a very robust piece of furniture.

With an extended Colour Series adding even further to the uniqueness of this piece, the WW Counter Stool Colour Series has been created in collaboration with the Brighton-based branding agency Studio Makgill. The WW Colour Series is available in a selection of six colourways.



Technical Information

WW Counter Stool - Colour Series



Materials / Finishes

Solid Oak Back Rail, Powder Coated 6mm Mild Steel Rods, Solid Oak Seat, Solid Oak Legs
This product can be customised to different colors and finishes.



CS1 SKU: WW4CS1

Pink RAL 3015 Back Rail
Pink RAL 3015 Steel Rods
Red RAL 3028 Seat
Natural Oak Legs



CS2 SKU: WW4CS1

Green RAL 6037 Back Rail
Deep Blue RAL 5008 Steel Rods
White RAL 9016 Seat
White RAL 9016 Legs



CS3 SKU: WW4CS1

Natural Oak Back Rail
Red RAL 3028 Steel Rods
Deep Blue RAL 5008 Seat
Light Blue RAL 6027 Legs



CS4 SKU: WW4CS1

Light Blue RAL 6027 Back Rail
Green RAL 6037 Steel Rods
Light Blue RAL 6027 Seat
Red RAL 3028 Legs



CS5 SKU: WW4CS1

White RAL 9016 Back Rail
White RAL 9016 Steel Rods
Natural Oak Seat
Green RAL 6037 Legs



CS6 SKU: WW4CS1

Deep Blue RAL 5008 Back Rail
Light Blue RAL 6027 Steel Rods
Deep Blue RAL 5008 Seat
Deep Blue RAL 5008 Legs

Environmental

FSC or Equivalent, Low VOC/ Greenguard, ISO 9001, Raw Materials sourced in same/ neighbouring country, Cradle to Cradle/ Design for Disassembly, Quality Policy, Recycleable content over 50%, Renewable energy used in factory.



Loom bar stool, Cayuco restaurant, Hotel Xcaret Arte, Mexico

Loom Bar Stool

Designed by Alejandro Villarreal

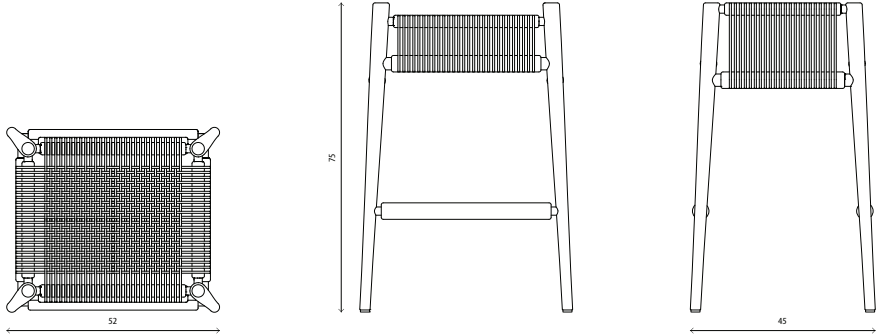


The Loom Bar Stool was inspired by the traditional wooden looms of Oaxaca in Mexico. The frame is made of solid oak and the cord is made of polypropylene. The bar stools are sanded and finished by hand, and because of the combination of materials, the Loom Bar Stool remains surprisingly light and portable, yet still highly resistant. Comfortable, practical and elegant, it suits perfectly on kitchens and bars alike.



Technical Information

Loom Bar Stool



Materials / Finishes

Solid Oak Structure, 4.5mm Polypropylene Cord
This product can be customised to different colors and finishes.



Oak & Black SKU: LBS101
Natural Oak Wood
Black Polypropylene Cord



Black SKU: LBS102
Black Stained Oak Wood
Black Polypropylene Cord

Environmental

Low VOC / Greenguard, Raw Materials sourced in same/ neighbouring country, Cradle to Cradle / Design for Disassembly, Quality Policy, Recycleable content over 50%.

Dune Bar Stool

Designed by Pauline Plus Luis

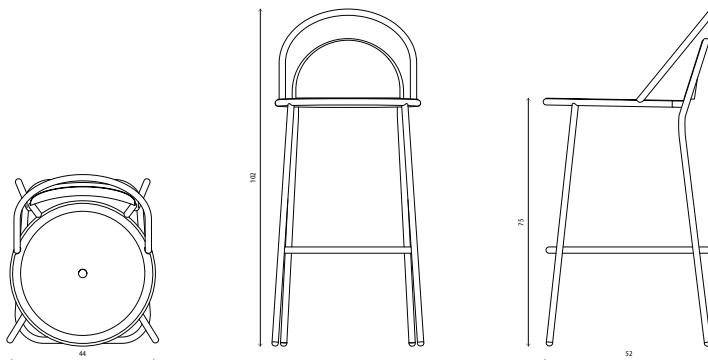


The design of the Dune Bar Stool is based on the repeated shape of the arch, architectural and mathematical. This bar stool has an elegant and light aesthetic and is suitable both for indoors and outdoors. Made in powder coated high carbon steel, it suits perfectly on kitchens and bars alike.



Technical Information

Dune Bar Stool



Materials / Finishes

Powder Coated High Carbon Steel, Outdoor Suitable
This product can be customised to different colors and finishes.



Black SKU: DU301

Black RAL 9005 Frame



Red SKU: DU302

Deep Red RAL 3005 Frame



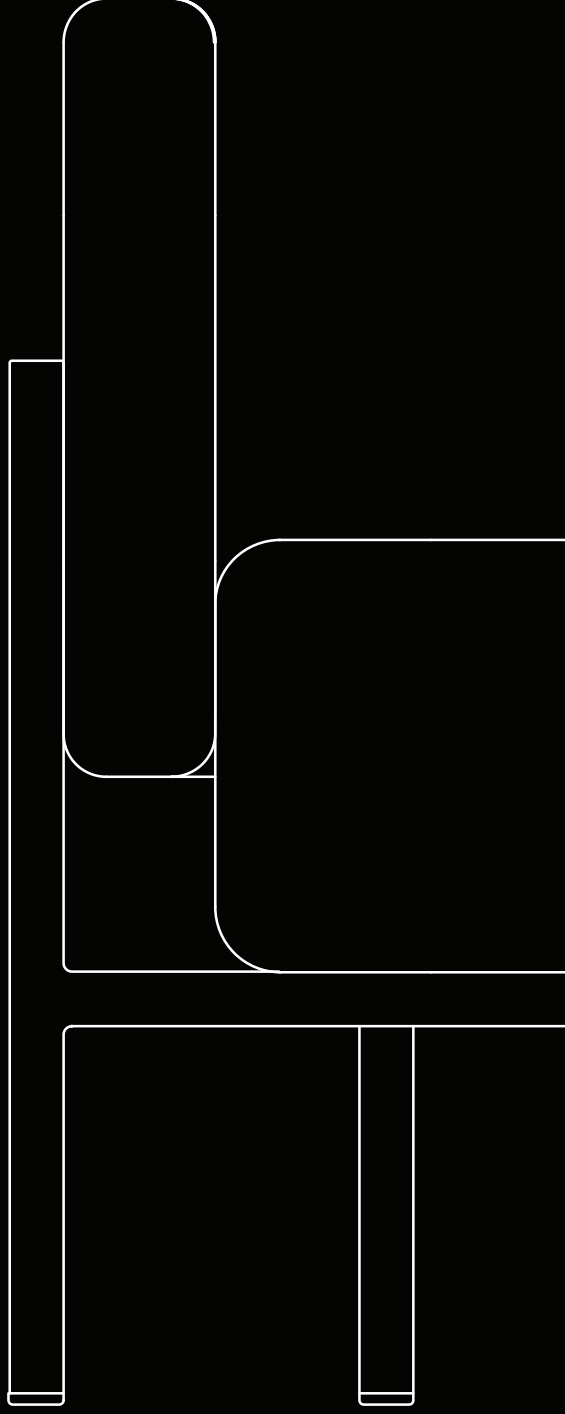
Green SKU: DU303

Mint Green RAL 6011 Frame

Environmental

Raw Materials sourced in same / neighbouring country, Quality Policy, Recycleable content over 90%.

Soft Seating



Abrazo Armchair

Designed by Alejandro Villarreal

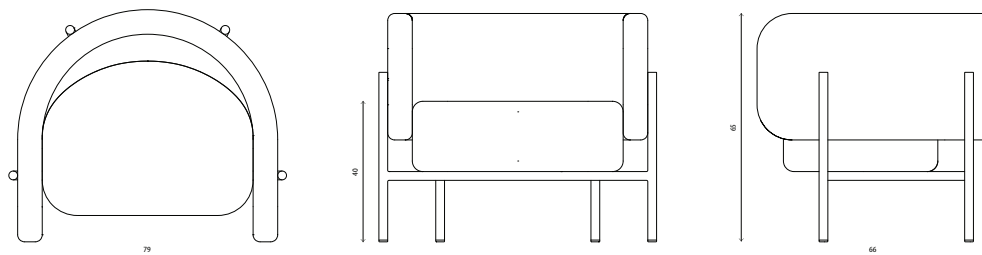


The Abrazo Armchair, translating to “Hug” in Spanish, embodies a design that lightly envelops the user. Crafted with a powder-coated metal frame and fire-retardant foam and fabric, its floating armrests create a visually light yet comfortable seating experience. Contemporary and inviting, the Abrazo Armchair is a versatile addition, effortlessly enhancing living rooms, halls, lobbies, and break-out spaces with its welcoming charm and understated elegance.



Technical Information

Abrazo Armchair



Materials / Finishes

Powder Coated Metal Frame, Fire Retardant Foam and Fabric.



Gravel SKU: ABR101

Black RAL 9005 Frame
Gravel Fabric



Grey SKU: ABR102

Grey RAL 7037 Frame
Dove Grey Wool



Brown SKU: ABR103

Brown RAL 8015 Frame
Caramel Grey Wool



Green SKU: ABR104

Green RAL 6007 Frame
Green Fabric

Environmental

Low VOC / Greenguard, Raw Materials sourced in same / neighbouring country, Cradle to Cradle / Design for Disassembly, Quality Policy, Recycleable content over 90%.

Abrazo 2 Seater Sofa

Designed by Alejandro Villarreal

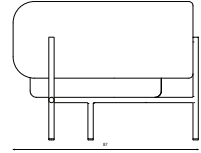
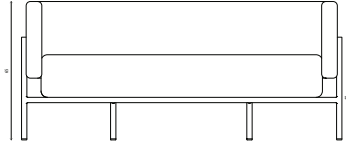
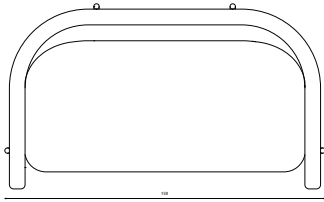


The Abrazo 2 Seater Sofa, whose name means “Hug” in Spanish, offers a subtly enveloping design. Crafted with a powder-coated metal frame and fire-retardant foam and fabric, its almost-floating armrests impart a sense of lightness. This contemporary piece ensures a comfortable sitting experience, making it an ideal addition to living rooms, halls, lobbies, and break-out spaces. The Abrazo 2 Seater Sofa exudes a welcoming aura, effortlessly blending comfort and style.



Technical Information

Abrazo 2 Seater Sofa



Materials / Finishes

Powder Coated Metal Frame, Fire Retardant Foam and Fabric.



Gravel SKU: ABR201

Black RAL 9005 Frame
Gravel Fabric



Grey SKU: ABR202

Grey RAL 7037 Frame
Dove Grey Wool



Brown SKU: ABR203

Brown RAL 8015 Frame
Caramel Grey Wool



Green SKU: ABR204

Green RAL 6007 Frame
Green Fabric

Environmental

Low VOC / Greenguard, Raw Materials sourced in same / neighbouring country, Cradle to Cradle / Design for Disassembly, Quality Policy, Recycleable content over 90%.

Dulwich Armchair

Designed by Alejandro Villarreal

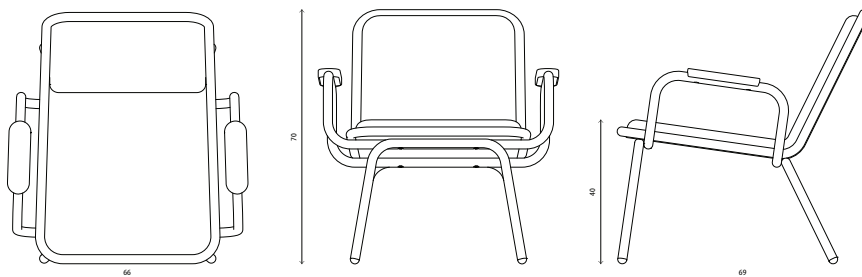


The Dulwich Armchair draws inspiration from a charming caned stool discovered in the 1800s Dulwich Picture Gallery furniture collection. Boasting a powder-coated metal frame and fire-retardant fabric upholstery, this armchair strikes a balance between durability and comfort. The solid beech on the armrests provides an added touch of warmth and refinement, effortlessly blending the past and present. With its versatile design and timeless appeal, the Dulwich Armchair is a sophisticated addition to any room, seamlessly bridging the gap between history and contemporary aesthetics.



Technical Information

Dulwich Armchair



Materials / Finishes

Powder Coated Metal Frame, Fire Retardant Foam and Fabric, Solid Beech Armrests
This product can be customised to different colors and finishes.



Black SKU: DWAA101

Black RAL 9005 Frame
Plomo Fabric
Natural Beech Armrests



Grey SKU: DWAA102

Grey RAL 7037 Frame
Oxford Fabric
Stained Beech Armrests



Brown SKU: DWAA103

Brown RAL 8015 Frame
Shedron Fabric
Stained Beech Armrests



Green SKU: DWAA104

Green RAL 6007 Frame
Verde Fabric
Natural Beech Armrests



Red SKU: DWAA105

Red RAL 3005 Frame
Vino Fabric
Natural Beech Armrests



Blue SKU: DWAA106

Blue RAL 5022 Frame
Marino Fabric
Natural Beech Armrests

Environmental

Low VOC / Greenguard, Raw Materials sourced in same / neighbouring country, Cradle to Cradle / Design for Disassembly, Quality Policy, Recycleable content over 90%.

Glover Armchair Metal Legs

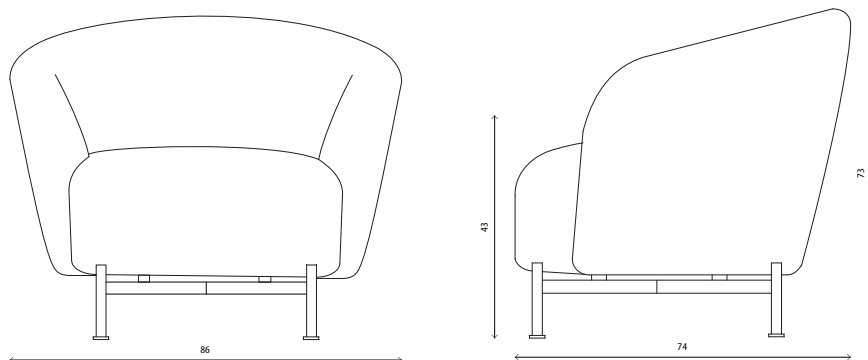


Luscious in its proportions but low key in terms of profile, the Glover is an OEM chair that is perfect for break out spaces and equally functional within hospitality as much as it is within a workplace setting.



Technical Information

Glover Armchair - Metal Legs

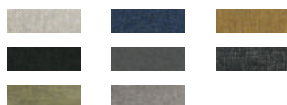


Materials / Finishes

Black Metal Round Leg Base, Fire Retardant Foam Seat & Back, Upholstered in Fabric or Wool.

Fabric SKU: GLM-F

Armony [view color options](#)
100% Polyester
295 g/m²
100,000 Martindale



Rama [view color options](#)
100% Polyester, 25% Acetate
15% Polypropylene, 300 g/m²
100,000 Martindale



Velvet [view color options](#)
100% Polyester
360 g/m²
82,000 Martindale



Twist [view color options](#)
100% Polyester
400 g/m²
36,000 Martindale



Earth [view color options](#)
100% Polyester, 400 g/m²
78,000 Martindale
100,000 Martindale



Wool SKU: GLM-W

70% Recycled Wool
20% Polyester
5% Polyamide
5% Acrylic, 375 g/m²
55,000 Martindale



Environmental

FSC or equivalent, Low VOC / Greenguard, ISO 9001, Raw Materials sourced in same / neighbouring country, Cradle to Cradle / Design for Disassembly, Quality Policy, Recycleable content over 50%.

Glover Armchair Metal XBase

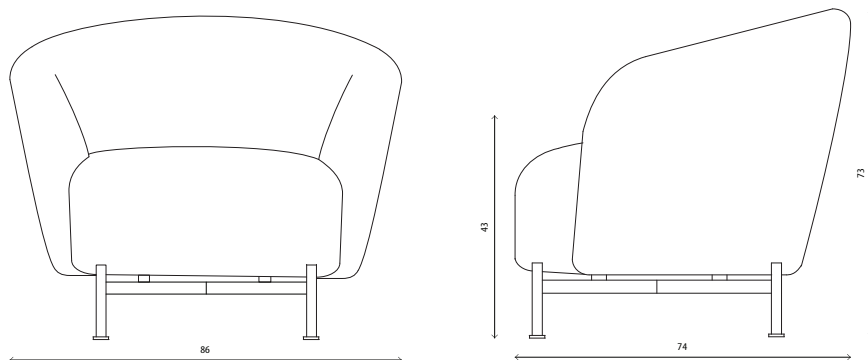


Luscious in its proportions but low key in terms of profile, the Glover is an OEM chair that is perfect for break out spaces and equally functional within hospitality as much as it is within a workplace setting.



Technical Information

Glover Armchair - Metal XBase



Materials / Finishes

Black Metal XBase Leg Base, Fire Retardant Foam Seat & Back, Upholstered in Fabric or Wool.

Fabric SKU: GLXM-F

Armony [view color options](#)
100% Polyester
295 g/m²
100,000 Martindale



Rama [view color options](#)
100% Polyester, 25% Acetate
15% Polypropylene, 300 g/m²
100,000 Martindale



Velvet [view color options](#)
100% Polyester
360 g/m²
82,000 Martindale



Twist [view color options](#)
100% Polyester
400 g/m²
36,000 Martindale



Earth [view color options](#)
100% Polyester, 400 g/m²
78,000 Martindale
100,000 Martindale



Wool SKU: GLXM-W

70% Recycled Wool
20% Polyester
5% Polyamide
5% Acrylic, 375 g/m²
55,000 Martindale



Environmental

FSC or equivalent, Low VOC / Greenguard, ISO 9001, Raw Materials sourced in same / neighbouring country, Cradle to Cradle / Design for Disassembly, Quality Policy, Recycleable content over 50%.

Glover Armchair Wood Base

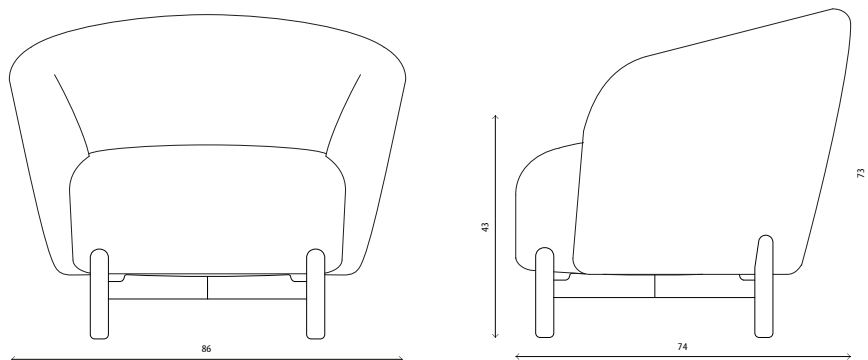


Luscious in its proportions but low key in terms of profile, the Glover is an OEM chair that is perfect for break out spaces and equally functional within hospitality as much as it is within a workplace setting.



Technical Information

Glover Armchair - Wood Base



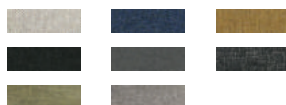
Materials / Finishes

Black Metal Round Leg Base, Fire Retardant Foam Seat & Back, Upholstered in Fabric or Wool.

Fabric SKU: GLM-F

Armony [view color options](#)

100% Polyester
295 g/m²
100,000 Martindale



Rama [view color options](#)

100% Polyester, 25% Acetate
15% Polypropylene, 300 g/m²
100,000 Martindale



Velvet [view color options](#)

100% Polyester
360 g/m²
82,000 Martindale



Twist [view color options](#)

100% Polyester
400 g/m²
36,000 Martindale



Earth [view color options](#)

100% Polyester, 400 g/m²
78,000 Martindale
100,000 Martindale



Wool SKU: GLM-W

70% Recycled Wool
20% Polyester
5% Polyamide
5% Acrylic, 375 g/m²
55,000 Martindale



Environmental

FSC or equivalent, Low VOC / Greenguard, ISO 9001, Raw Materials sourced in same / neighbouring country, Cradle to Cradle / Design for Disassembly, Quality Policy, Recycleable content over 50%.

Scandi Armchair

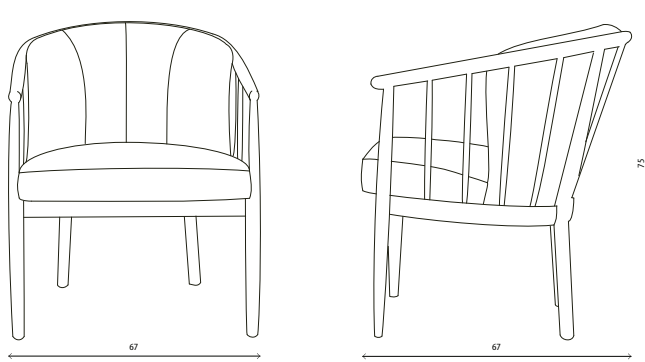


Embodying traditional Scandinavian design, the Scandi Armchair marries a solid oak structure with a variety of fabric or leather upholstery options. With its range of wood finishes, this OEM product offers a high level of customization. Offering a notably comfortable sitting experience, the Scandi Armchair seamlessly integrates into living rooms, halls, lobbies, and break-out spaces, enhancing any setting with its minimalist elegance and timeless appeal.



Technical Information

Scandi Armchair



Materials / Finishes

Solid wood legs in oak & black, oak & smoked, oak & white oil, oak & lacquered, oak & soap, beech & soap. Fire Retardant Foam Seat & Back, Upholstered in Leather, Fabric or Wool.

Fabric SKU: SCA-F

Armony [view color options](#)

100% Polyester
295 g/m²
100,000 Martindale



Rama [view color options](#)

100% Polyester, 25% Acetate
15% Polypropylene, 300 g/m²
100,000 Martindale



Velvet [view color options](#)

100% Polyester
360 g/m²
82,000 Martindale



Twist [view color options](#)

100% Polyester
400 g/m²
36,000 Martindale



Earth [view color options](#)

100% Polyester, 400 g/m²
78,000 Martindale
100,000 Martindale



Wool SKU: SCA-W

70% Recycled Wool
20% Polyester
5% Polyamide
5% Acrylic, 375 g/m²
55,000 Martindale



Leather SKU: SCA-L

70% Recycled Wool
20% Polyester
5% Polyamide
5% Acrylic, 375 g/m²
55,000 Martindale



Environmental

FSC or equivalent, Low VOC / Greenguard, ISO 9001, Raw Materials sourced in same / neighbouring country, Cradle to Cradle / Design for Disassembly, Quality Policy, Recycleable content over 50%.

Saddle Armchair

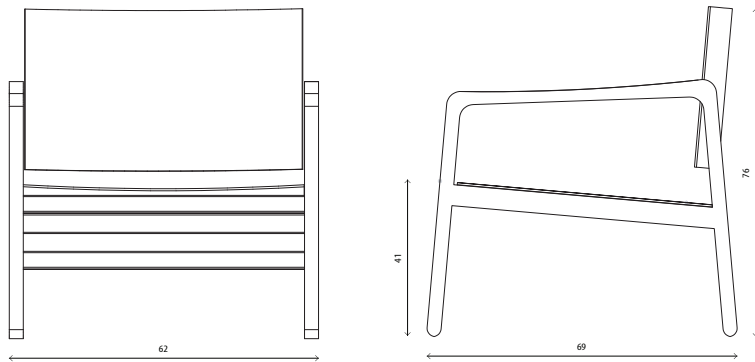


The Saddle Armchair nods to a Scandinavian tradition as much as a global artisan aesthetic. Stitched leather and a sturdy oak frame make for a robust and satisfyingly designed OEM armchair ideally suited to be used in living rooms, halls, lobbys and break out spaces alike.



Technical Information

Saddle Armchair



Materials / Finishes

Solid wood structure in oak & black, oak & smoked, oak & white oil, oak & lacquered, oak & soap.
Leather in black or Cognac



Black SKU: SADD-1

100% natural black saddle leather



Cognac SKU: SADD-2

100% natural cognac saddle leather

Environmental

FSC or equivalent, Low VOC / Greenguard, ISO 9001, Raw Materials sourced in same / neighbouring country, Cradle to Cradle / Design for Disassembly, Quality Policy, Recycleable content over 50%.

Slide Armchair

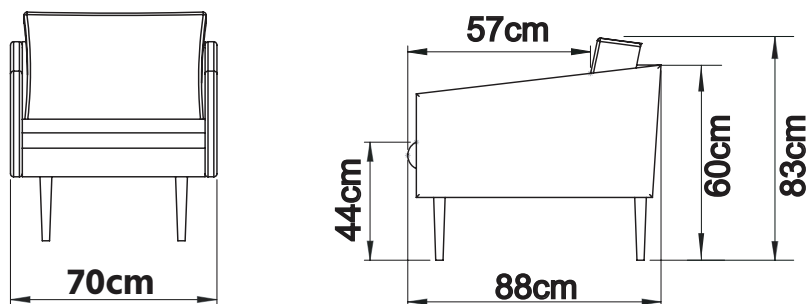


With its modern and sleek profile, the Slide Armchair offers distinctive aesthetics and considerable comfort. This OEM product allows customization with various wood finishes for the legs and a range of fabric or leather options for upholstery. Ideally suited for living rooms, halls, lobbies, and break-out spaces, the Slide Armchair adds a touch of contemporary elegance, ensuring a stylish and comfortable seating experience in any setting.



Technical Information

Slide Armchair



Materials / Finishes

Solid dark stained oak legs. Fire Retardant Foam Seat & Back. Upholstered in Leather, Fabric or Wool.

Fabric SKU: SLD-1-F

Armony [view color options](#)
100% Polyester
295 g/m2
100,000 Martindale



Rama [view color options](#)
100% Polyester, 25% Acetate
15% Polypropylene, 300 g/m2
100,000 Martindale



Velvet [view color options](#)
100% Polyester
360 g/m2
82,000 Martindale



Twist [view color options](#)
100% Polyester
400 g/m2
36,000 Martindale



Earth [view color options](#)
100% Polyester, 400 g/m2
78,000 Martindale
100,000 Martindale



Wool SKU: SLD-1-W

70% Recycled Wool
20% Polyester
5% Polyamide
5% Acrylic, 375 g/m2
55,000 Martindale



Leather SKU: SLD-1-L

100% natural leather.



Environmental

FSC or equivalent, Raw Materials sourced in same / neighbouring country, Quality Policy, Recycleable content over 50%.

Slide 2 Seater Sofa

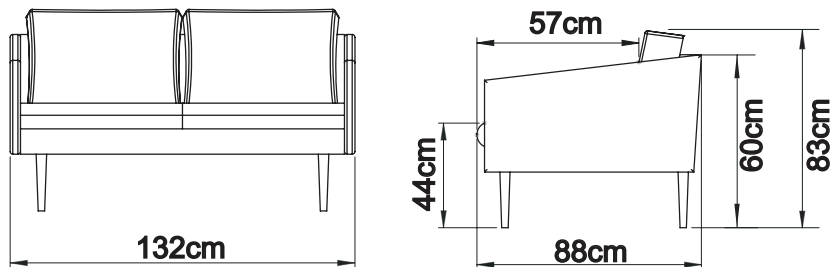


With its modern and sleek profile, the Slide Armchair offers distinctive aesthetics and considerable comfort. This OEM product allows customization with various wood finishes for the legs and a range of fabric or leather options for upholstery. Ideally suited for living rooms, halls, lobbies, and break-out spaces, the Slide Armchair adds a touch of contemporary elegance, ensuring a stylish and comfortable seating experience in any setting.



Technical Information

Slide 2 Seater Sofa

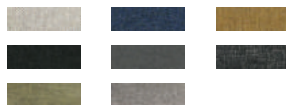


Materials / Finishes

Solid dark stained oak legs. Fire Retardant Foam Seat & Back. Upholstered in Leather, Fabric or Wool.

Fabric SKU: SLD-2-F

Armony [view color options](#)
100% Polyester
295 g/m²
100,000 Martindale



Rama [view color options](#)
100% Polyester, 25% Acetate
15% Polypropylene, 300 g/m²
100,000 Martindale



Velvet [view color options](#)
100% Polyester
360 g/m²
82,000 Martindale



Twist [view color options](#)
100% Polyester
400 g/m²
36,000 Martindale



Earth [view color options](#)
100% Polyester, 400 g/m²
78,000 Martindale
100,000 Martindale



Wool SKU: SLD-2-W

70% Recycled Wool
20% Polyester
5% Polyamide
5% Acrylic, 375 g/m²
55,000 Martindale



Leather SKU: SLD-2-L

100% natural leather.



Environmental

FSC or equivalent, Raw Materials sourced in same / neighbouring country, Quality Policy, Recycleable content over 50%.

Slide 2.5 Seater Sofa

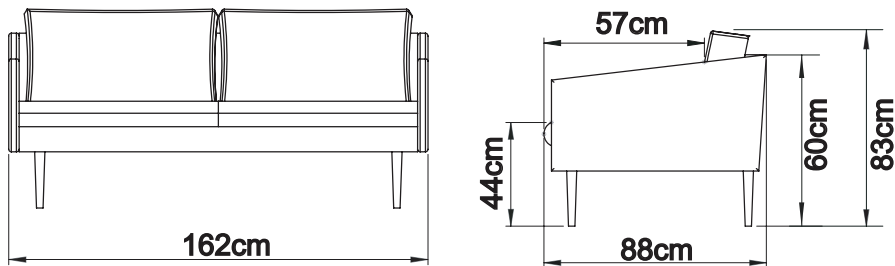


With its modern and sleek profile, the Slide Armchair offers distinctive aesthetics and considerable comfort. This OEM product allows customization with various wood finishes for the legs and a range of fabric or leather options for upholstery. Ideally suited for living rooms, halls, lobbies, and break-out spaces, the Slide Armchair adds a touch of contemporary elegance, ensuring a stylish and comfortable seating experience in any setting.



Technical Information

Slide 2.5 Seater Sofa

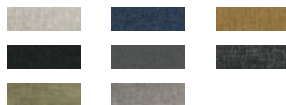


Materials / Finishes

Solid dark stained oak legs. Fire Retardant Foam Seat & Back. Upholstered in Leather, Fabric or Wool.

Fabric SKU: SLD-2.5-F

Armony [view color options](#)
100% Polyester
295 g/m2
100,000 Martindale



Rama [view color options](#)
100% Polyester, 25% Acetate
15% Polypropylene, 300 g/m2
100,000 Martindale



Velvet [view color options](#)
100% Polyester
360 g/m2
82,000 Martindale



Twist [view color options](#)
100% Polyester
400 g/m2
36,000 Martindale



Earth [view color options](#)
100% Polyester, 400 g/m2
78,000 Martindale
100,000 Martindale



Wool SKU: SLD-2.5-W

70% Recycled Wool
20% Polyester
5% Polyamide
5% Acrylic, 375 g/m2
55,000 Martindale



Leather SKU: SLD-2.5-L

100% natural leather.



Environmental

FSC or equivalent, Raw Materials sourced in same / neighbouring country, Quality Policy, Recycleable content over 50%.

Slide 3 Seater Sofa

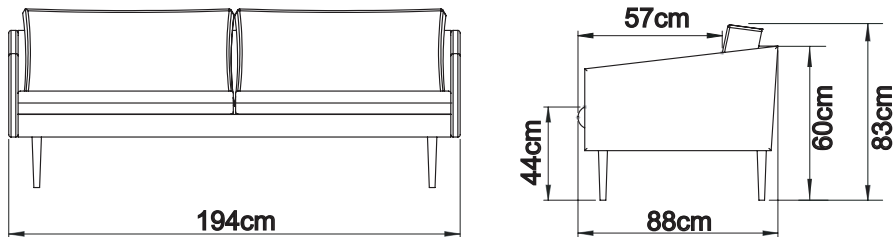


With its modern and sleek profile, the Slide Armchair offers distinctive aesthetics and considerable comfort. This OEM product allows customization with various wood finishes for the legs and a range of fabric or leather options for upholstery. Ideally suited for living rooms, halls, lobbies, and break-out spaces, the Slide Armchair adds a touch of contemporary elegance, ensuring a stylish and comfortable seating experience in any setting.



Technical Information

Slide 3 Seater Sofa



Materials / Finishes

Solid dark stained oak legs. Fire Retardant Foam Seat & Back. Upholstered in Leather, Fabric or Wool.

Fabric SKU: SLD-3-F

Armony [view color options](#)
100% Polyester
295 g/m2
100,000 Martindale



Rama [view color options](#)
100% Polyester, 25% Acetate
15% Polypropylene, 300 g/m2
100,000 Martindale



Velvet [view color options](#)
100% Polyester
360 g/m2
82,000 Martindale



Twist [view color options](#)
100% Polyester
400 g/m2
36,000 Martindale



Earth [view color options](#)
100% Polyester, 400 g/m2
78,000 Martindale
100,000 Martindale



Wool SKU: SLD-3-W

70% Recycled Wool
20% Polyester
5% Polyamide
5% Acrylic, 375 g/m2
55,000 Martindale



Leather SKU: SLD-3-L

100% natural leather.



Environmental

FSC or equivalent, Raw Materials sourced in same / neighbouring country, Quality Policy, Recycleable content over 50%.

Retro Armchair

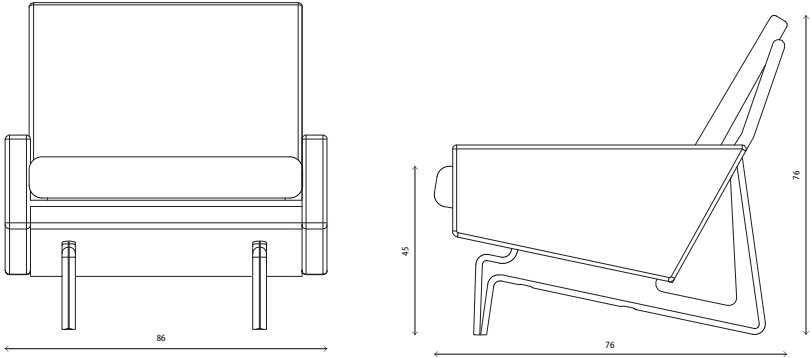


The Retro Armchair celebrates a timeline of British and Scandinavian upholstery design. Straddling a decade period from 1960 through to 1970 we can position this sofa and its aesthetic clearly within the era. However functionality and ergonomics are most definitely 21st century. This very unique and comfortable OEM product, is ideally suited to be used in living rooms, halls, lobbys and break out spaces alike.



Technical Information

Retro Armchair



Materials / Finishes

Solid wood legs in oak & white oil, oak & lacquered. Fire Retardant Foam Seat & Back, Upholstered in Leather, Fabric or Wool.

Fabric SKU: RET-1-F

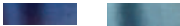
Armony [view color options](#)
 100% Polyester
 295 g/m2
 100,000 Martindale



Rama [view color options](#)
 100% Polyester, 25% Acetate
 15% Polypropylene, 300 g/m2
 100,000 Martindale



Velvet [view color options](#)
 100% Polyester
 360 g/m2
 82,000 Martindale



Twist [view color options](#)
 100% Polyester
 400 g/m2
 36,000 Martindale



Earth [view color options](#)
 100% Polyester, 400 g/m2
 78,000 Martindale
 100,000 Martindale



Wool SKU: RET-1-W

70% Recycled Wool
 20% Polyester
 5% Polyamide
 5% Acrylic, 375 g/m2
 55,000 Martindale



Leather SKU: RET-1-L

70% Recycled Wool
 20% Polyester
 5% Polyamide
 5% Acrylic, 375 g/m2
 55,000 Martindale



Environmental

FSC or equivalent, Low VOC / Greenguard, ISO 9001, Raw Materials sourced in same / neighbouring country, Cradle to Cradle / Design for Disassembly, Quality Policy, Recycleable content over 50%.

Retro 2 Seater Sofa

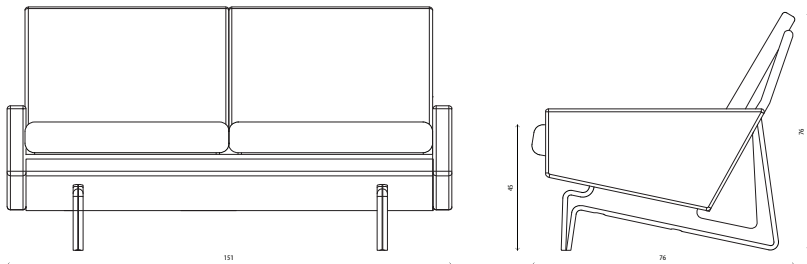


The Retro 2 Seater Sofa celebrates a timeline of British and Scandinavian upholstery design. Straddling a decade period from 1960 through to 1970 we can position this sofa and its aesthetic clearly within the era. However functionality and ergonomics are most definitely 21st century. This very unique and comfortable OEM product, is ideally suited to be used in living rooms, halls, lobbys and break out spaces alike.



Technical Information

Retro 2 Seater Sofa



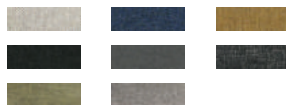
Materials / Finishes

Solid wood legs in oak & white oil, oak & lacquered. Fire Retardant Foam Seat & Back, Upholstered in Leather, Fabric or Wool.

Fabric SKU: RET-2-F

Armony [view color options](#)

100% Polyester
295 g/m2
100,000 Martindale



Rama [view color options](#)

100% Polyester, 25% Acetate
15% Polypropylene, 300 g/m2
100,000 Martindale



Velvet [view color options](#)

100% Polyester
360 g/m2
82,000 Martindale



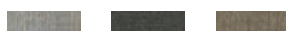
Twist [view color options](#)

100% Polyester
400 g/m2
36,000 Martindale



Earth [view color options](#)

100% Polyester, 400 g/m2
78,000 Martindale
100,000 Martindale



Wool SKU: RET-2-W

70% Recycled Wool
20% Polyester
5% Polyamide
5% Acrylic, 375 g/m2
55,000 Martindale



Leather SKU: RET-2-L

70% Recycled Wool
20% Polyester
5% Polyamide
5% Acrylic, 375 g/m2
55,000 Martindale



Environmental

FSC or equivalent, Low VOC / Greenguard, ISO 9001, Raw Materials sourced in same / neighbouring country, Cradle to Cradle / Design for Disassembly, Quality Policy, Recycleable content over 50%.

Retro 3 Seater Sofa

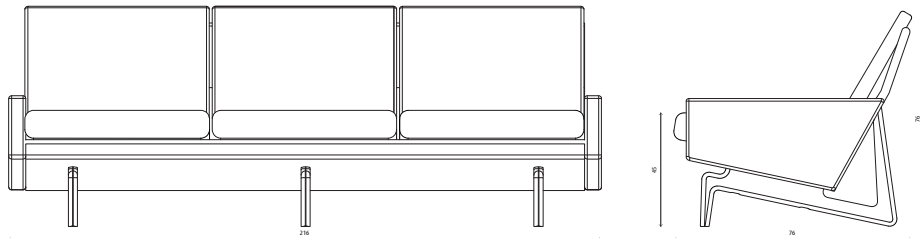


The Retro 3 Seater Sofa celebrates a timeline of British and Scandinavian upholstery design. Straddling a decade period from 1960 through to 1970 we can position this sofa and its aesthetic clearly within the era. However functionality and ergonomics are most definitely 21st century. This very unique and comfortable OEM product, is ideally suited to be used in living rooms, halls, lobbies and break out spaces alike.



Technical Information

Retro 3 Seater Sofa

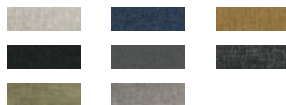


Materials / Finishes

Solid wood legs in oak & white oil, oak & lacquered. Fire Retardant Foam Seat & Back, Upholstered in Leather, Fabric or Wool.

Fabric SKU: RET-3-F

Armony [view color options](#)
100% Polyester
295 g/m²
100,000 Martindale



Rama [view color options](#)
100% Polyester, 25% Acetate
15% Polypropylene, 300 g/m²
100,000 Martindale



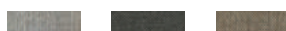
Velvet [view color options](#)
100% Polyester
360 g/m²
82,000 Martindale



Twist [view color options](#)
100% Polyester
400 g/m²
36,000 Martindale



Earth [view color options](#)
100% Polyester, 400 g/m²
78,000 Martindale
100,000 Martindale



Wool SKU: RET-3-W

70% Recycled Wool
20% Polyester
5% Polyamide
5% Acrylic, 375 g/m²
55,000 Martindale



Leather SKU: RET-3-L

70% Recycled Wool
20% Polyester
5% Polyamide
5% Acrylic, 375 g/m²
55,000 Martindale



Environmental

FSC or equivalent, Low VOC / Greenguard, ISO 9001, Raw Materials sourced in same / neighbouring country, Cradle to Cradle / Design for Disassembly, Quality Policy, Recycleable content over 50%.

Retro Cane Armchair



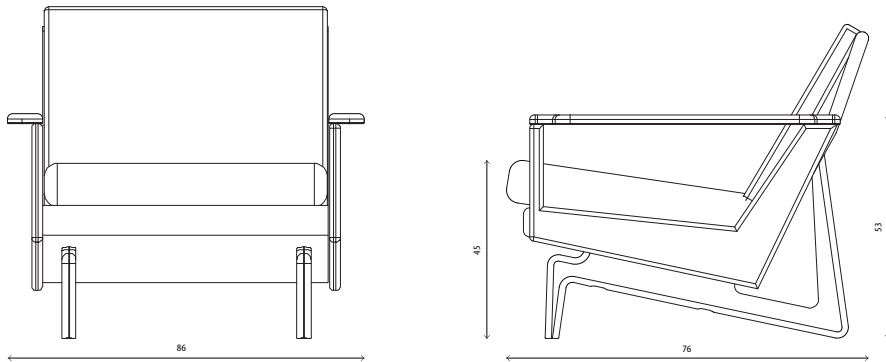
The Retro Cane Armchair celebrates a timeline of British and Scandinavian upholstery design. Straddling a decade period from 1960 through to 1970 we can position this sofa and its aesthetic clearly within the era. However functionality and ergonomics are most definitely 21st century. This very unique and comfortable OEM product, is ideally suited to be used in living rooms, halls, lobbies and break out spaces alike.

The addition of cane webbing to the structure adds detail on the armrests and harmonises beautifully with the cantilevered structure of the leg. Solid oak is oiled and buffed leaving a soft, protected patina.



Technical Information

Retro Cane Webbing Armchair



Materials / Finishes

Solid wood legs in oak & lacquered, Cane Webbing in armrests. Fire Retardant Foam Seat & Back, Upholstered in Leather, Fabric or Wool.

Fabric SKU: RETCW-1-F

Armony [view color options](#)

100% Polyester
295 g/m²
100,000 Martindale



Rama [view color options](#)

100% Polyester, 25% Acetate
15% Polypropylene, 300 g/m²
100,000 Martindale



Velvet [view color options](#)

100% Polyester
360 g/m²
82,000 Martindale



Twist [view color options](#)

100% Polyester
400 g/m²
36,000 Martindale



Earth [view color options](#)

100% Polyester, 400 g/m²
78,000 Martindale
100,000 Martindale



Wool SKU: RETCW-1-W

70% Recycled Wool
20% Polyester
5% Polyamide
5% Acrylic, 375 g/m²
55,000 Martindale



Leather SKU: RETCW-1-L

70% Recycled Wool
20% Polyester
5% Polyamide
5% Acrylic, 375 g/m²
55,000 Martindale



Environmental

FSC or equivalent, Low VOC / Greenguard, ISO 9001, Raw Materials sourced in same / neighbouring country, Cradle to Cradle / Design for Disassembly, Quality Policy, Recycleable content over 50%.

Retro Cane 2 Seater Sofa



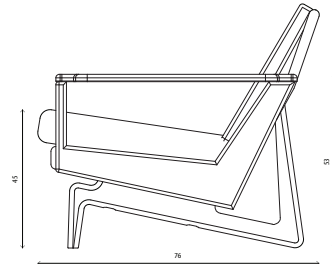
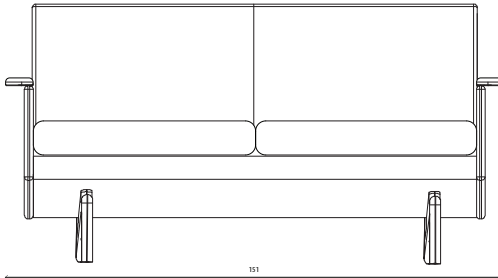
The Retro Cane 2 Seater Sofa celebrates a timeline of British and Scandinavian upholstery design. Straddling a decade period from 1960 through to 1970 we can position this sofa and its aesthetic clearly within the era. However functionality and ergonomics are most definitely 21st century. This very unique and comfortable OEM product, is ideally suited to be used in living rooms, halls, lobbys and break out spaces alike.

The addition of cane webbing to the structure adds detail on the armrests and harmonises beautifully with the cantilevered structure of the leg. Solid oak is oiled and buffed leaving a soft, protected patina.



Technical Information

Retro Cane Webbing 2 Seater Sofa



Materials / Finishes

Solid wood legs in oak & lacquered, Cane Webbing in armrests. Fire Retardant Foam Seat & Back, Upholstered in Leather, Fabric or Wool.

Fabric SKU: RETCW-2-F

Armony [view color options](#)

100% Polyester

295 g/m²

100,000 Martindale



Rama [view color options](#)

100% Polyester, 25% Acetate

15% Polypropylene, 300 g/m²

100,000 Martindale



Velvet [view color options](#)

100% Polyester

360 g/m²

82,000 Martindale



Twist [view color options](#)

100% Polyester

400 g/m²

36,000 Martindale



Earth [view color options](#)

100% Polyester, 400 g/m²

78,000 Martindale

100,000 Martindale



Wool SKU: RETCW-2-W

70% Recycled Wool

20% Polyester

5% Polyamide

5% Acrylic, 375 g/m²

55,000 Martindale



Leather SKU: RETCW-2-L

70% Recycled Wool

20% Polyester

5% Polyamide

5% Acrylic, 375 g/m²

55,000 Martindale



Environmental

FSC or equivalent, Low VOC / Greenguard, ISO 9001, Raw Materials sourced in same / neighbouring country, Cradle to Cradle / Design for Disassembly, Quality Policy, Recycleable content over 50%.

Retro Cane 3 Seater Sofa



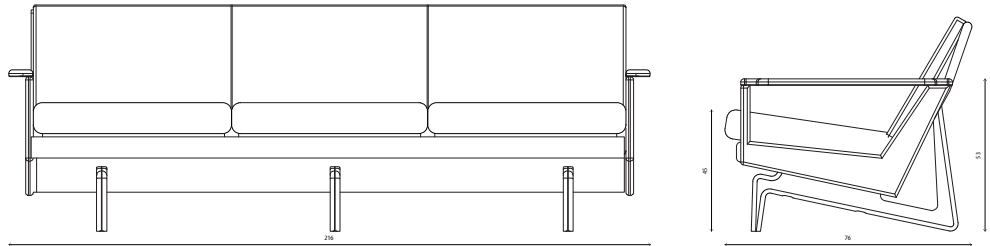
The Retro Cane 3 Seater Sofa celebrates a timeline of British and Scandinavian upholstery design. Straddling a decade period from 1960 through to 1970 we can position this sofa and its aesthetic clearly within the era. However functionality and ergonomics are most definitely 21st century. This very unique and comfortable OEM product, is ideally suited to be used in living rooms, halls, lobbys and break out spaces alike.

The addition of cane webbing to the structure adds detail on the armrests and harmonises beautifully with the cantilevered structure of the leg. Solid oak is oiled and buffed leaving a soft, protected patina.



Technical Information

Retro Cane Webbing 3 Seater Sofa



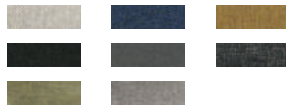
Materials / Finishes

Solid wood legs in oak & lacquered, Cane Webbing in armrests. Fire Retardant Foam Seat & Back, Upholstered in Leather, Fabric or Wool.

Fabric SKU: RETCW-3-F

Armony [view color options](#)

100% Polyester
295 g/m2
100,000 Martindale



Rama [view color options](#)

100% Polyester, 25% Acetate
15% Polypropylene, 300 g/m2
100,000 Martindale



Velvet [view color options](#)

100% Polyester
360 g/m2
82,000 Martindale



Twist [view color options](#)

100% Polyester
400 g/m2
36,000 Martindale



Earth [view color options](#)

100% Polyester, 400 g/m2
78,000 Martindale
100,000 Martindale



Wool SKU: RETCW-3-W

70% Recycled Wool
20% Polyester
5% Polyamide
5% Acrylic, 375 g/m2
55,000 Martindale



Leather SKU: RETCW-3-L

70% Recycled Wool
20% Polyester
5% Polyamide
5% Acrylic, 375 g/m2
55,000 Martindale



Environmental

FSC or equivalent, Low VOC / Greenguard, ISO 9001, Raw Materials sourced in same / neighbouring country, Cradle to Cradle / Design for Disassembly, Quality Policy, Recycleable content over 50%.

Clasico Armchair



Drawing inspiration from mid-century Scandinavian modern design, the Clasico Armchair combines timeless aesthetics with exceptional comfort. As an OEM product, it allows for customization with various wood finishes for the legs and a selection of fabric or leather for the upholstery. Offering a notably comfortable seating experience, the Clasico Armchair fits seamlessly into living rooms, halls, lobbies, and break-out spaces, enriching these settings with its classic appeal and modern comfort.



Technical Information

Clasico Armchair

Materials / Finishes

Solid wood legs in oak & black, oak & dark stain, oak & lacquered. Fire Retardant Foam Seat & Back, Upholstered in Leather, Fabric or Wool.

Fabric SKU: CLA-1-F

Armony [view color options](#)

100% Polyester
295 g/m2
100,000 Martindale



Rama [view color options](#)

100% Polyester, 25% Acetate
15% Polypropylene, 300 g/m2
100,000 Martindale



Velvet [view color options](#)

100% Polyester
360 g/m2
82,000 Martindale



Twist [view color options](#)

100% Polyester
400 g/m2
36,000 Martindale



Earth [view color options](#)

100% Polyester, 400 g/m2
78,000 Martindale
100,000 Martindale



Wool SKU: CLA-1-W

70% Recycled Wool
20% Polyester
5% Polyamide
5% Acrylic, 375 g/m2
55,000 Martindale



Leather SKU: CLA-1-L

70% Recycled Wool
20% Polyester
5% Polyamide
5% Acrylic, 375 g/m2
55,000 Martindale



Environmental

FSC or equivalent, Low VOC / Greenguard, ISO 9001, Raw Materials sourced in same / neighbouring country, Cradle to Cradle / Design for Disassembly, Quality Policy, Recycleable content over 50%.

Clasico 2 Seater Sofa



Echoing the timeless appeal of mid-century Scandinavian design, the Clasico 2 Seater Sofa brings together comfort and style. This OEM piece offers customization with various wood finishes for the legs and an array of fabric or leather options for upholstery. Ensuring a comfortable seating experience, the Clasico 2 Seater Sofa is a fitting choice for living rooms, halls, lobbies, and break-out spaces, offering a harmonious blend of classic design and modern comfort.



Technical Information

Clasico 2 Seater Sofa

Materials / Finishes

Solid wood legs in oak & black, oak & dark stain, oak & lacquered. Fire Retardant Foam Seat & Back, Upholstered in Leather, Fabric or Wool.

Fabric SKU: CLA-2-F

Armony [view color options](#)

100% Polyester
295 g/m2
100,000 Martindale



Rama [view color options](#)

100% Polyester, 25% Acetate
15% Polypropylene, 300 g/m2
100,000 Martindale



Velvet [view color options](#)

100% Polyester
360 g/m2
82,000 Martindale



Twist [view color options](#)

100% Polyester
400 g/m2
36,000 Martindale



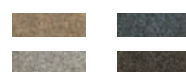
Earth [view color options](#)

100% Polyester, 400 g/m2
78,000 Martindale
100,000 Martindale



Wool SKU: CLA-2-W

70% Recycled Wool
20% Polyester
5% Polyamide
5% Acrylic, 375 g/m2
55,000 Martindale



Leather SKU: CLA-2-L

70% Recycled Wool
20% Polyester
5% Polyamide
5% Acrylic, 375 g/m2
55,000 Martindale



Environmental

FSC or equivalent, Low VOC / Greenguard, ISO 9001, Raw Materials sourced in same / neighbouring country, Cradle to Cradle / Design for Disassembly, Quality Policy, Recycleable content over 50%.

Clasico 2.5 Seater Sofa



The Clasico 2.5 Seater Sofa emanates a classic mid-century Scandinavian modern design, adding a timeless touch to any setting. As an OEM product, it offers a variety of wood finishes for the legs and fabric or leather options for the upholstery, ensuring a personalized comfort and style. Offering a uniquely comfortable seating experience, the Clasico 2.5 Seater Sofa seamlessly integrates into living rooms, halls, lobbies, and break-out spaces, enhancing these areas with its classic appeal and modern comfort.



Technical Information

Clasico 2.5 Seater Sofa

Materials / Finishes

Solid wood legs in oak & black, oak & dark stain, oak & lacquered. Fire Retardant Foam Seat & Back, Upholstered in Leather, Fabric or Wool.

Fabric SKU: CLA-2.5-F

Armony [view color options](#)

100% Polyester
295 g/m2
100,000 Martindale



Rama [view color options](#)

100% Polyester, 25% Acetate
15% Polypropylene, 300 g/m2
100,000 Martindale



Velvet [view color options](#)

100% Polyester
360 g/m2
82,000 Martindale



Twist [view color options](#)

100% Polyester
400 g/m2
36,000 Martindale



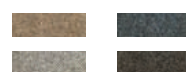
Earth [view color options](#)

100% Polyester, 400 g/m2
78,000 Martindale
100,000 Martindale



Wool SKU: CLA-2.5-W

70% Recycled Wool
20% Polyester
5% Polyamide
5% Acrylic, 375 g/m2
55,000 Martindale



Leather SKU: CLA-2.5-L

70% Recycled Wool
20% Polyester
5% Polyamide
5% Acrylic, 375 g/m2
55,000 Martindale



Environmental

FSC or equivalent, Low VOC / Greenguard, ISO 9001, Raw Materials sourced in same / neighbouring country, Cradle to Cradle / Design for Disassembly, Quality Policy, Recycleable content over 50%.

Clasico 3 Seater Sofa



Channeling a classic mid-century Scandinavian modern design, the Clasico 3 Seater Sofa effortlessly combines timeless aesthetics and contemporary comfort. As an OEM product, it presents various wood finishes for the legs and a selection of fabric or leather for the upholstery, ensuring personalized style and comfort. Ideal for living rooms, halls, lobbies, and break-out spaces, the Clasico 3 Seater Sofa delivers a uniquely comfortable seating experience while enhancing the space with its classic charm and modern elegance.



Technical Information

Clasico 3 Seater Sofa

Materials / Finishes

Solid wood legs in oak & black, oak & dark stain, oak & lacquered. Fire Retardant Foam Seat & Back, Upholstered in Leather, Fabric or Wool.

Fabric SKU: CLA-3-F

Armony [view color options](#)
100% Polyester
295 g/m2
100,000 Martindale



Rama [view color options](#)
100% Polyester, 25% Acetate
15% Polypropylene, 300 g/m2
100,000 Martindale



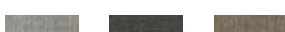
Velvet [view color options](#)
100% Polyester
360 g/m2
82,000 Martindale



Twist [view color options](#)
100% Polyester
400 g/m2
36,000 Martindale



Earth [view color options](#)
100% Polyester, 400 g/m2
78,000 Martindale
100,000 Martindale



Wool SKU: CLA-3-W

70% Recycled Wool
20% Polyester
5% Polyamide
5% Acrylic, 375 g/m2
55,000 Martindale



Leather SKU: CLA-3-L

70% Recycled Wool
20% Polyester
5% Polyamide
5% Acrylic, 375 g/m2
55,000 Martindale



Environmental

FSC or equivalent, Low VOC / Greenguard, ISO 9001, Raw Materials sourced in same / neighbouring country, Cradle to Cradle / Design for Disassembly, Quality Policy, Recycleable content over 50%.

Clasico Lux 2.5 Seater Sofa

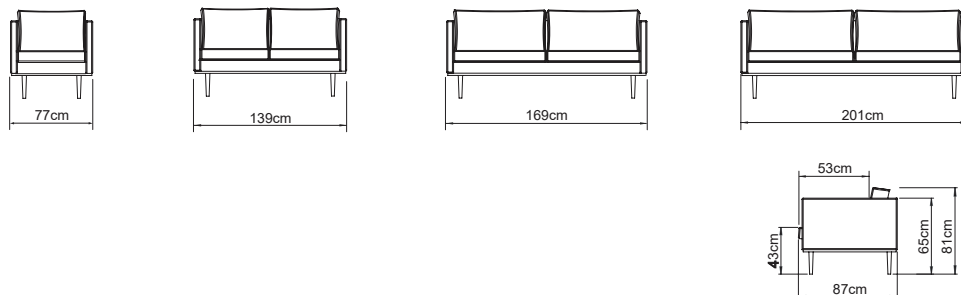


Drawing inspiration from mid-century Scandinavian modern design, the Clasico Lux Sofa combines timeless aesthetics with exceptional comfort. As an OEM product, it comes with dark stained oak legs and allows for customization with a wide selection of fabric or leather for the upholstery. Offering a notably comfortable seating experience, the Clasico Lux Sofa fits seamlessly into living rooms, halls, lobbies, and break-out spaces, enriching these settings with its classic appeal and modern comfort.



Technical Information

Clasico Lux 2.5 Seater Sofa



Materials / Finishes

Solid dark stained oak legs. Fire Retardant Foam Seat & Back. Upholstered in Leather, Fabric or Wool.

Fabric SKU: CLALUX-2.5-F

Armony [view color options](#)
100% Polyester
295 g/m2
100,000 Martindale



Rama [view color options](#)
100% Polyester, 25% Acetate
15% Polypropylene, 300 g/m2
100,000 Martindale



Velvet [view color options](#)
100% Polyester
360 g/m2
82,000 Martindale



Twist [view color options](#)
100% Polyester
400 g/m2
36,000 Martindale



Earth [view color options](#)
100% Polyester, 400 g/m2
78,000 Martindale
100,000 Martindale



Wool SKU: CLALUX-2.5-W

70% Recycled Wool
20% Polyester
5% Polyamide
5% Acrylic, 375 g/m2
55,000 Martindale



Leather SKU: CLALUX-2.5-L

100% natural leather.



Environmental

FSC or equivalent, Raw Materials sourced in same / neighbouring country, Quality Policy, Recycleable content over 50%.

Clasico Lux 3 Seater Sofa

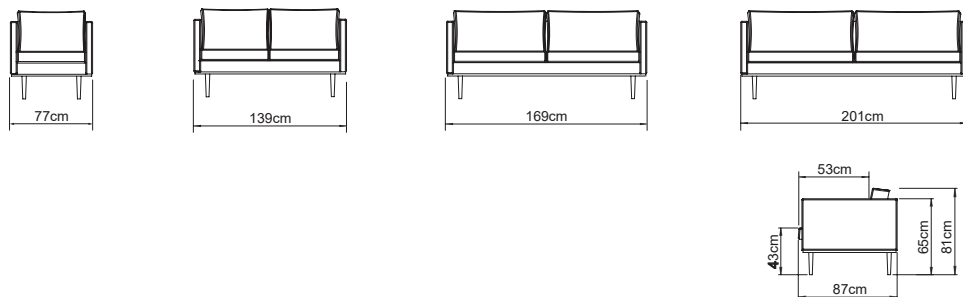


Drawing inspiration from mid-century Scandinavian modern design, the Clasico Lux Sofa combines timeless aesthetics with exceptional comfort. As an OEM product, it comes with dark stained oak legs and allows for customization with a wide selection of fabric or leather for the upholstery. Offering a notably comfortable seating experience, the Clasico Lux Sofa fits seamlessly into living rooms, halls, lobbies, and break-out spaces, enriching these settings with its classic appeal and modern comfort.



Technical Information

Clasico Lux 3 Seater Sofa



Materials / Finishes

Solid dark stained oak legs. Fire Retardant Foam Seat & Back. Upholstered in Leather, Fabric or Wool.

Fabric SKU: CLALUX-3-F

Armony [view color options](#)

100% Polyester
295 g/m2
100,000 Martindale



Rama [view color options](#)

100% Polyester, 25% Acetate
15% Polypropylene, 300 g/m2
100,000 Martindale



Velvet [view color options](#)

100% Polyester
360 g/m2
82,000 Martindale



Twist [view color options](#)

100% Polyester
400 g/m2
36,000 Martindale



Earth [view color options](#)

100% Polyester, 400 g/m2
78,000 Martindale
100,000 Martindale



Wool SKU: CLALUX-3-W

70% Recycled Wool
20% Polyester
5% Polyamide
5% Acrylic, 375 g/m2
55,000 Martindale



Leather SKU: CLALUX-3-L

100% natural leather.



Environmental

FSC or equivalent, Raw Materials sourced in same / neighbouring country, Quality Policy, Recycleable content over 50%.

Nave 2 Seater Sofa

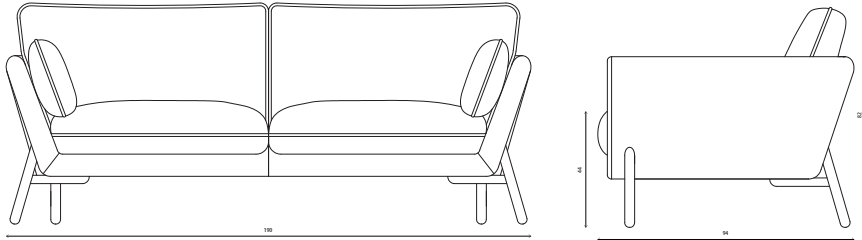


The Nave 2 Seater Sofa, with its clear contemporary allure, offers a harmonious blend of comfort and style. This OEM product, available with either black metal or oak lacquered legs, boasts a variety of fabric or wool upholstery finishes, inviting you to customize to your taste. Designed for a luxurious sitting experience, it's perfectly suited for living rooms, halls, lobbies, or breakout spaces. With the Nave 2 Seater Sofa, enjoy the perfect union of modern aesthetics and timeless comfort.



Technical Information

Nave 2 Seater Sofa

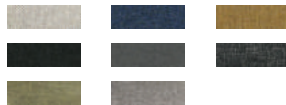


Materials / Finishes

Black Metal Legs or Solid wood legs in oak & black, oak & lacquered. Fire Retardant Foam Seat & Back, Upholstered in Fabric or Wool.

Fabric SKU: PAL-C+2-F

Armony [view color options](#)
100% Polyester
295 g/m²
100,000 Martindale



Rama [view color options](#)
100% Polyester, 25% Acetate
15% Polypropylene, 300 g/m²
100,000 Martindale



Velvet [view color options](#)
100% Polyester
360 g/m²
82,000 Martindale



Twist [view color options](#)
100% Polyester
400 g/m²
36,000 Martindale



Earth [view color options](#)
100% Polyester, 400 g/m²
78,000 Martindale
100,000 Martindale



Wool SKU: PAL-C+2-W

70% Recycled Wool
20% Polyester
5% Polyamide
5% Acrylic, 375 g/m²
55,000 Martindale



Environmental

FSC or equivalent, Low VOC / Greenguard, ISO 9001, Raw Materials sourced in same / neighbouring country, Cradle to Cradle / Design for Disassembly, Quality Policy, Recycleable content over 50%.

Nave Lux 2 Seater Sofa

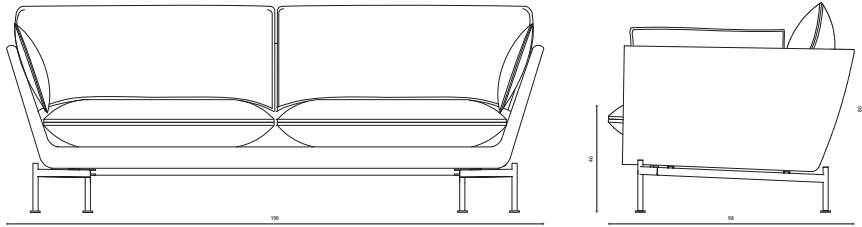


The Nave Lux 2 Seater Sofa exudes contemporary sophistication. As an OEM product, it comes with choices of black metal or oak lacquered legs, complemented by an array of fabric or wool upholstery finishes. Carefully designed for optimal comfort, it's a perfect fit for diverse settings such as living rooms, halls, lobbies, and breakout spaces. The Nave Lux 2 Seater Sofa offers a stylishly comfortable seating experience tailored for modern living.



Technical Information

Nave Lux 2 Seater Sofa

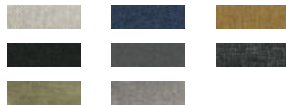


Materials / Finishes

Black Metal Legs or Solid wood legs in oak & black, oak & lacquered. Fire Retardant Foam Seat & Back, Upholstered in Fabric or Wool.

Fabric SKU: NAVL-2-F

Armony [view color options](#)
100% Polyester
295 g/m2
100,000 Martindale



Rama [view color options](#)
100% Polyester, 25% Acetate
15% Polypropylene, 300 g/m2
100,000 Martindale



Velvet [view color options](#)
100% Polyester
360 g/m2
82,000 Martindale



Twist [view color options](#)
100% Polyester
400 g/m2
36,000 Martindale



Earth [view color options](#)
100% Polyester, 400 g/m2
78,000 Martindale
100,000 Martindale



Wool SKU: NAVL-2-W

70% Recycled Wool
20% Polyester
5% Polyamide
5% Acrylic, 375 g/m2
55,000 Martindale



Environmental

FSC or equivalent, Low VOC / Greenguard, ISO 9001, Raw Materials sourced in same / neighbouring country, Cradle to Cradle / Design for Disassembly, Quality Policy, Recycleable content over 50%.

Italo 3 Seater Sofa

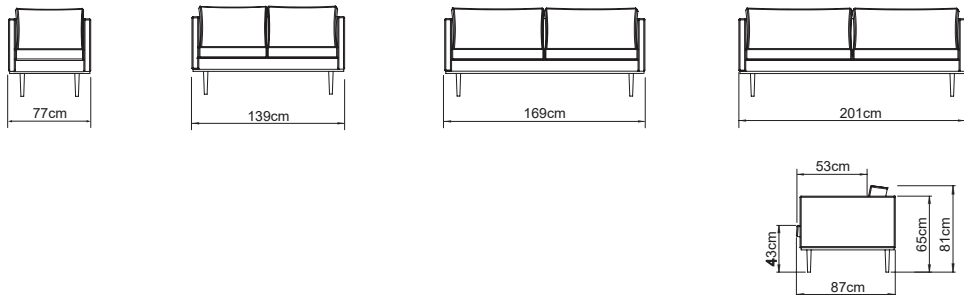


The Italo Sofa nods to a contemporary Italian elegance, as much as a global aesthetic. The clear distinctive feature is its sleek metallic legs, which come in a choice of chrome or matte black metal. Its arms can also be chosen between an angled or square geometry. As an OEM product, it comes in a wide selection of different configurations and fabrics. With its elegant and contemporary silhouette, the Italo Sofa is ideally suited for living rooms, halls, lobbys and break out spaces alike.



Technical Information

Italo 3 Seater Sofa

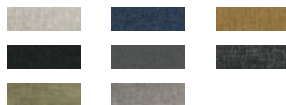


Materials / Finishes

Metal legs in chrome or matte black stained finish. Fire Retardant Foam, Seat & Back. Upholstered in Fabric or Wool.

Fabric SKU: IT-3-F

Armony [view color options](#)
100% Polyester
295 g/m²
100,000 Martindale



Rama [view color options](#)
100% Polyester, 25% Acetate
15% Polypropylene, 300 g/m²
100,000 Martindale



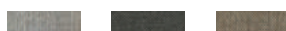
Velvet [view color options](#)
100% Polyester
360 g/m²
82,000 Martindale



Twist [view color options](#)
100% Polyester
400 g/m²
36,000 Martindale



Earth [view color options](#)
100% Polyester, 400 g/m²
78,000 Martindale
100,000 Martindale



Wool SKU: IT-3-W

70% Recycled Wool
20% Polyester
5% Polyamide
5% Acrylic, 375 g/m²
55,000 Martindale



Leather SKU: IT-3-L

100% natural leather.



Environmental

FSC or equivalent, Raw Materials sourced in same / neighbouring country, Quality Policy, Recycleable content over 50%.

Italo Chaise+2

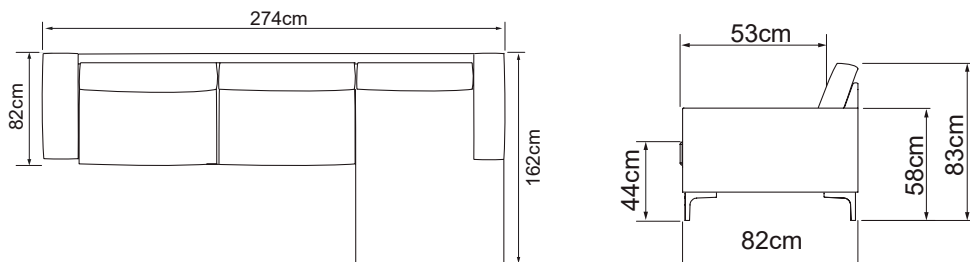


The Italo Sofa nods to a contemporary Italian elegance, as much as a global aesthetic. The clear distinctive feature is its sleek metallic legs, which come in a choice of chrome or matte black metal. Its arms can also be chosen between an angled or square geometry. As an OEM product, it comes in a wide selection of different configurations and fabrics. With its elegant and contemporary silhouette, the Italo Sofa is ideally suited for living rooms, halls, lobbys and break out spaces alike.



Technical Information

Italo Chaise+2



Materials / Finishes

Metal legs in chrome or matte black stained finish. Fire Retardant Foam, Seat & Back. Upholstered in Fabric or Wool.

Fabric SKU: IT-C+2-F

Armony [view color options](#)
100% Polyester
295 g/m2
100,000 Martindale



Rama [view color options](#)
100% Polyester, 25% Acetate
15% Polypropylene, 300 g/m2
100,000 Martindale



Velvet [view color options](#)
100% Polyester
360 g/m2
82,000 Martindale



Twist [view color options](#)
100% Polyester
400 g/m2
36,000 Martindale



Earth [view color options](#)
100% Polyester, 400 g/m2
78,000 Martindale
100,000 Martindale



Wool SKU: IT-C+2-W

70% Recycled Wool
20% Polyester
5% Polyamide
5% Acrylic, 375 g/m2
55,000 Martindale



Leather SKU: IT-C+2-L

100% natural leather.



Environmental

FSC or equivalent, Raw Materials sourced in same / neighbouring country, Quality Policy, Recycleable content over 50%.

Float 3 Seater Sofa

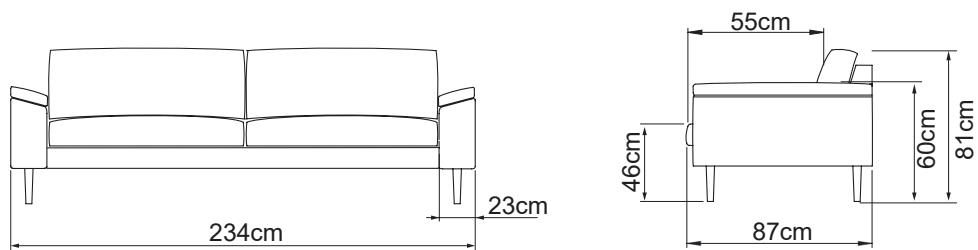


The Float Sofa nods to a contemporary Italian elegance, as much as a global aesthetic. The clear distinctive feature is its seemingly floating presence through sleek legs, which come in a choice of solid oak or metallic options. Its arms can also be chosen between a square, cushion or angled geometries. As an OEM product, it comes in a wide selection of different configurations and fabrics. With its elegant and contemporary silhouette, the Float Sofa is ideally suited for living rooms, halls, lobbys and break out spaces alike.



Technical Information

Float 3 Seater Sofa

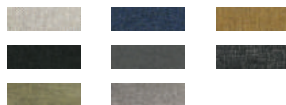


Materials / Finishes

Solid oak legs in lacquered, dark stained and black options. Metal option for legs in black stained finish. Fire Retardant Foam, Seat & Back. Upholstered in Fabric or Wool.

Fabric SKU: THIN-3-F

Armony [view color options](#)
100% Polyester
295 g/m2
100,000 Martindale



Rama [view color options](#)
100% Polyester, 25% Acetate
15% Polypropylene, 300 g/m2
100,000 Martindale



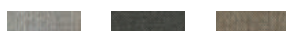
Velvet [view color options](#)
100% Polyester
360 g/m2
82,000 Martindale



Twist [view color options](#)
100% Polyester
400 g/m2
36,000 Martindale



Earth [view color options](#)
100% Polyester, 400 g/m2
78,000 Martindale
100,000 Martindale



Wool SKU: THIN-3-W

70% Recycled Wool
20% Polyester
5% Polyamide
5% Acrylic, 375 g/m2
55,000 Martindale



Leather SKU: THIN-3-L

100% natural leather.



Environmental

FSC or equivalent, Raw Materials sourced in same / neighbouring country, Quality Policy, Recycleable content over 50%.

Float Chaise+2

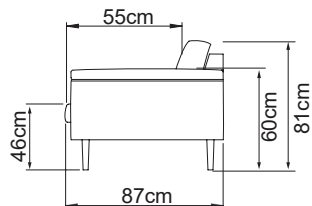
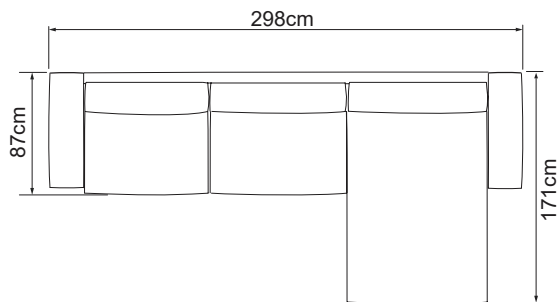


The Float Sofa nods to a contemporary Italian elegance, as much as a global aesthetic. The clear distinctive feature is its seemingly floating presence through sleek legs, which come in a choice of solid oak or metallic options. Its arms can also be chosen between a square, cushion or angled geometries. As an OEM product, it comes in a wide selection of different configurations and fabrics. With its elegant and contemporary silhouette, the Float Sofa is ideally suited for living rooms, halls, lobbys and break out spaces alike.



Technical Information

Float Chaise+2



Materials / Finishes

Solid oak legs in lacquered, dark stained and black options. Metal option for legs in black stained finish. Fire Retardant Foam, Seat & Back. Upholstered in Fabric or Wool.

Fabric SKU: THIN-C+2-F

Armony [view color options](#)
100% Polyester
295 g/m2
100,000 Martindale



Rama [view color options](#)
100% Polyester, 25% Acetate
15% Polypropylene, 300 g/m2
100,000 Martindale



Velvet [view color options](#)
100% Polyester
360 g/m2
82,000 Martindale



Twist [view color options](#)
100% Polyester
400 g/m2
36,000 Martindale



Earth [view color options](#)
100% Polyester, 400 g/m2
78,000 Martindale
100,000 Martindale



Wool SKU: THIN-C+2-W

70% Recycled Wool
20% Polyester
5% Polyamide
5% Acrylic, 375 g/m2
55,000 Martindale



Leather SKU: THIN-C+2-L

100% natural leather.



Environmental

FSC or equivalent, Raw Materials sourced in same / neighbouring country, Quality Policy, Recycleable content over 50%.

Massi 3 Seater Sofa

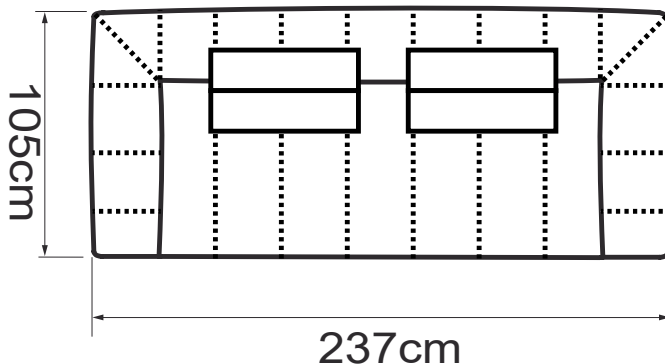


The Massi Sofa nods to a contemporary Italian elegance, as much as a global aesthetic. The clear distinctive feature is its massive and definitive presence. As an OEM product, it comes in a wide selection of different configurations and fabrics. With its elegant and contemporary silhouette, the Massi Sofa is ideally suited for living rooms, halls, lobbys and break out spaces alike.



Technical Information

Massi 3 Seater Sofa



Materials / Finishes

Fire Retardant Foam, Seat & Back. Upholstered in Fabric or Wool.

Fabric SKU: MASS-3-F

Armony [view color options](#)
100% Polyester
295 g/m2
100,000 Martindale



Rama [view color options](#)
100% Polyester, 25% Acetate
15% Polypropylene, 300 g/m2
100,000 Martindale



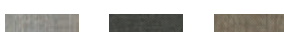
Velvet [view color options](#)
100% Polyester
360 g/m2
82,000 Martindale



Twist [view color options](#)
100% Polyester
400 g/m2
36,000 Martindale



Earth [view color options](#)
100% Polyester, 400 g/m2
78,000 Martindale
100,000 Martindale



Wool SKU: MASS-3-W

70% Recycled Wool
20% Polyester
5% Polyamide
5% Acrylic, 375 g/m2
55,000 Martindale



Leather SKU: MASS-3-L

100% natural leather.



Environmental

FSC or equivalent, Raw Materials sourced in same / neighbouring country, Quality Policy, Recycleable content over 50%.

Massi Chaise+2

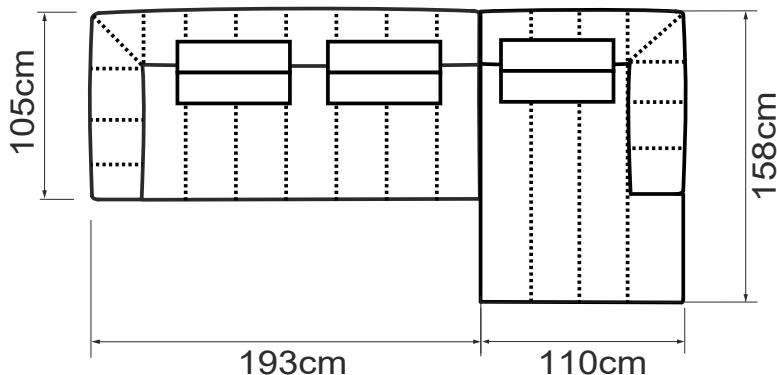


The Massi Sofa nods to a contemporary Italian elegance, as much as a global aesthetic. The clear distinctive feature is its massive and definitive presence. As an OEM product, it comes in a wide selection of different configurations and fabrics. With its elegant and contemporary silhouette, the Massi Sofa is ideally suited for living rooms, halls, lobbys and break out spaces alike.



Technical Information

Massi Chaise+2



Materials / Finishes

Fire Retardant Foam, Seat & Back. Upholstered in Fabric or Wool.

Fabric SKU: MASS-C+2-F

Armony [view color options](#)
100% Polyester
295 g/m2
100,000 Martindale



Rama [view color options](#)
100% Polyester, 25% Acetate
15% Polypropylene, 300 g/m2
100,000 Martindale



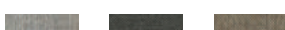
Velvet [view color options](#)
100% Polyester
360 g/m2
82,000 Martindale



Twist [view color options](#)
100% Polyester
400 g/m2
36,000 Martindale



Earth [view color options](#)
100% Polyester, 400 g/m2
78,000 Martindale
100,000 Martindale



Wool SKU: MASS-C+2-W

70% Recycled Wool
20% Polyester
5% Polyamide
5% Acrylic, 375 g/m2
55,000 Martindale



Leather SKU: MASS-C+2-L

100% natural leather.



Environmental

FSC or equivalent, Raw Materials sourced in same / neighbouring country, Quality Policy, Recycleable content over 50%.

Massi Lux Chaise+2

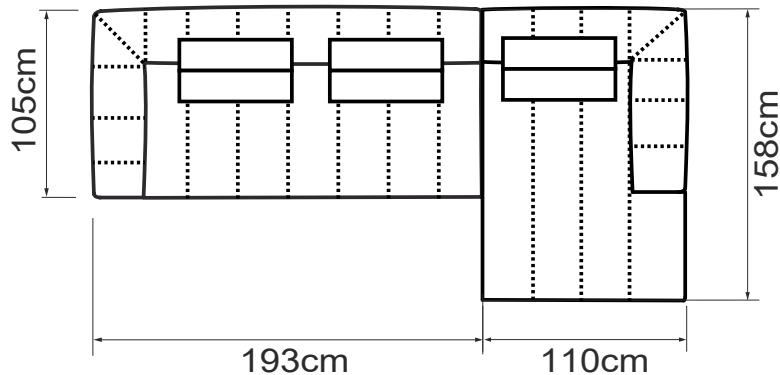


The Massi Lux Sofa nods to a contemporary Italian elegance, as much as a global aesthetic. The clear distinctive feature is its massive and striped presence. As an OEM product, it comes in a wide selection of different configurations and fabrics. With its elegant and contemporary silhouette, the Massi Lux Sofa is ideally suited for living rooms, halls, lobbys and break out spaces alike.



Technical Information

Massi Lux Chaise+2



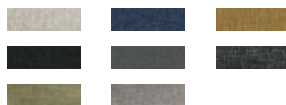
Materials / Finishes

Fire Retardant Foam, Seat & Back. Upholstered in Fabric or Wool.

Fabric SKU: MASS-LUX-C+2-F

Armony [view color options](#)

100% Polyester
295 g/m2
100,000 Martindale



Rama [view color options](#)

100% Polyester, 25% Acetate
15% Polypropylene, 300 g/m2
100,000 Martindale



Velvet [view color options](#)

100% Polyester
360 g/m2
82,000 Martindale



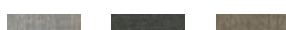
Twist [view color options](#)

100% Polyester
400 g/m2
36,000 Martindale



Earth [view color options](#)

100% Polyester, 400 g/m2
78,000 Martindale
100,000 Martindale



Wool SKU: MASS-LUX-C+2-W

70% Recycled Wool
20% Polyester
5% Polyamide
5% Acrylic, 375 g/m2
55,000 Martindale



Leather SKU: MASS-LUX-C+2-L

100% natural leather.



Environmental

FSC or equivalent, Raw Materials sourced in same / neighbouring country, Quality Policy, Recycleable content over 50%.

Leyi Armchair



The Leyi Armchair exemplifies sustainable design with its contemporary elegance. Combining practicality and exceptional comfort, this piece is crafted with a long life-cycle in mind. It features removable and washable covers, allowing for easy maintenance and refurbishment. The selection of fabrics with the Nordic Swan Ecolabel, one of the world's strictest environmental certifications, reinforces its commitment to sustainability. Every part of this OEM product can be individually renewed, and its flat-packed design prioritizes disassembly, recycling, and waste management. The Leyi Armchair comes with a 5-year guarantee, ensuring both quality and peace of mind.



Technical Information

Leyi Armchair

Materials / Finishes

Black Metal Legs or Solid wood legs. Fire Retardant Foam Seat & Back, Upholstered in Fabric or Wool.

Fabric SKU: LEYO-1-F

Armony [view color options](#)
100% Polyester
295 g/m2
100,000 Martindale



Rama [view color options](#)
100% Polyester, 25% Acetate
15% Polypropylene, 300 g/m2
100,000 Martindale



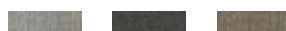
Velvet [view color options](#)
100% Polyester
360 g/m2
82,000 Martindale



Twist [view color options](#)
100% Polyester
400 g/m2
36,000 Martindale



Earth [view color options](#)
100% Polyester, 400 g/m2
78,000 Martindale
100,000 Martindale



Wool SKU: LEYO-1-W

70% Recycled Wool
20% Polyester
5% Polyamide
5% Acrylic, 375 g/m2
55,000 Martindale



Leather SKU: LEYO-1-L

70% Recycled Wool
20% Polyester
5% Polyamide
5% Acrylic, 375 g/m2
55,000 Martindale



Environmental

FSC or equivalent, Low VOC / Greenguard, ISO 9001, Raw Materials sourced in same / neighbouring country, Cradle to Cradle / Design for Disassembly, Quality Policy, Recycleable content over 50%.

Leyi 2 Seater Sofa



The Leyi 2 Seater Sofa exemplifies sustainable design with its contemporary elegance. This meaningful OEM product is both practical and exceptionally comfortable, designed with a long life-cycle in mind. It features removable and washable covers, facilitating easy maintenance and refurbishment. The selection of fabrics with the Nordic Swan Ecolabel, one of the world's strictest environmental certifications, underscores its commitment to sustainability. Each part of this sofa can be individually renewed, and its flat-packed design promotes disassembly, recycling, and waste management. With a 5-year guarantee, the Leyi 2 Seater Sofa combines quality, style, and environmental consciousness.

Technical Information

Leyi 2 Seater Sofa

Materials / Finishes

Black Metal Legs or Solid wood legs. Fire Retardant Foam Seat & Back, Upholstered in Fabric or Wool.

Fabric SKU: LEYO-2-F

Armony [view color options](#)
100% Polyester
295 g/m2
100,000 Martindale



Rama [view color options](#)
100% Polyester, 25% Acetate
15% Polypropylene, 300 g/m2
100,000 Martindale



Velvet [view color options](#)
100% Polyester
360 g/m2
82,000 Martindale



Twist [view color options](#)
100% Polyester
400 g/m2
36,000 Martindale



Earth [view color options](#)
100% Polyester, 400 g/m2
78,000 Martindale
100,000 Martindale



Wool SKU: LEYO-2-W

70% Recycled Wool
20% Polyester
5% Polyamide
5% Acrylic, 375 g/m2
55,000 Martindale



Leather SKU: LEYO-2-L

70% Recycled Wool
20% Polyester
5% Polyamide
5% Acrylic, 375 g/m2
55,000 Martindale



Environmental

FSC or equivalent, Low VOC / Greenguard, ISO 9001, Raw Materials sourced in same / neighbouring country, Cradle to Cradle / Design for Disassembly, Quality Policy, Recycleable content over 50%.

Leyi 3 Seater Sofa



The Leyi 3 Seater Sofa embodies sustainable design principles with its contemporary elegance. This meaningful OEM product offers practicality and exceptional comfort, ensuring a long life-cycle. Its removable and washable covers facilitate effortless maintenance and refurbishment. The selection of fabrics with the Nordic Swan Ecolabel, one of the world's strictest environmental certifications, showcases its commitment to sustainability. All parts of this sofa can be individually renewed, and its flat-packed design prioritizes disassembly, recycling, and waste management. With a 5-year guarantee, the Leyi 3 Seater Sofa combines durability, style, and eco-consciousness.

Technical Information

Leyi 3 Seater Sofa

Materials / Finishes

Black Metal Legs or Solid wood legs. Fire Retardant Foam Seat & Back, Upholstered in Fabric or Wool.

Fabric SKU: LEYO-3-F

Armony [view color options](#)
100% Polyester
295 g/m2
100,000 Martindale



Rama [view color options](#)
100% Polyester, 25% Acetate
15% Polypropylene, 300 g/m2
100,000 Martindale



Velvet [view color options](#)
100% Polyester
360 g/m2
82,000 Martindale



Twist [view color options](#)
100% Polyester
400 g/m2
36,000 Martindale



Earth [view color options](#)
100% Polyester, 400 g/m2
78,000 Martindale
100,000 Martindale



Wool SKU: LEYO-3-W

70% Recycled Wool
20% Polyester
5% Polyamide
5% Acrylic, 375 g/m2
55,000 Martindale



Leather SKU: LEYO-3-L

70% Recycled Wool
20% Polyester
5% Polyamide
5% Acrylic, 375 g/m2
55,000 Martindale



Environmental

FSC or equivalent, Low VOC / Greenguard, ISO 9001, Raw Materials sourced in same / neighbouring country, Cradle to Cradle / Design for Disassembly, Quality Policy, Recycleable content over 50%.

Leyi Chaise+1



The Leyi Chaise+1 embodies sustainable design principles with its contemporary elegance. This meaningful OEM product offers practicality and exceptional comfort, ensuring a long life-cycle. Its removable and washable covers facilitate effortless maintenance and refurbishment. The selection of fabrics with the Nordic Swan Ecolabel, one of the world's strictest environmental certifications, showcases its commitment to sustainability. All parts of this sofa can be individually renewed, and its flat-packed design prioritizes disassembly, recycling, and waste management. With a 5-year guarantee, the Leyi 3 Seater Sofa combines durability, style, and eco-consciousness.



Technical Information

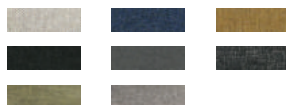
Leyi Chaise+1

Materials / Finishes

Black Metal Legs or Solid wood legs. Fire Retardant Foam Seat & Back, Upholstered in Fabric or Wool.

Fabric SKU: LEYO-C+1-F

Armony [view color options](#)
100% Polyester
295 g/m2
100,000 Martindale



Rama [view color options](#)
100% Polyester, 25% Acetate
15% Polypropylene, 300 g/m2
100,000 Martindale



Velvet [view color options](#)
100% Polyester
360 g/m2
82,000 Martindale



Twist [view color options](#)
100% Polyester
400 g/m2
36,000 Martindale



Earth [view color options](#)
100% Polyester, 400 g/m2
78,000 Martindale
100,000 Martindale



Wool SKU: LEYO-C+1-W

70% Recycled Wool
20% Polyester
5% Polyamide
5% Acrylic, 375 g/m2
55,000 Martindale



Leather SKU: LEYO-C+1-L

70% Recycled Wool
20% Polyester
5% Polyamide
5% Acrylic, 375 g/m2
55,000 Martindale



Environmental

FSC or equivalent, Low VOC / Greenguard, ISO 9001, Raw Materials sourced in same / neighbouring country, Cradle to Cradle / Design for Disassembly, Quality Policy, Recycleable content over 50%.

Ela Armchair



The Ela Armchair exemplifies sustainable design with its contemporary elegance and meaningful features. This modular and practical OEM product is exceptionally comfortable and crafted with a long life-cycle in mind. Its removable and washable covers make maintenance and refurbishment effortless. The selection of fabrics with the Nordic Swan Ecolabel, renowned for its strict environmental standards, showcases its commitment to sustainability. Every part of this armchair can be individually renewed, and its flat-packed design emphasizes disassembly, recycling, and waste management. With a 5-year guarantee, the Ela Armchair combines style, comfort, and eco-consciousness.



Technical Information

Ela Armchair

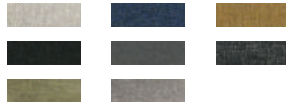
Materials / Finishes

Fire Retardant Foam Seat & Back, Upholstered in Fabric or Wool

Fabric SKU: ELA-1-F

Armony [view color options](#)

100% Polyester
295 g/m2
100,000 Martindale



Rama [view color options](#)

100% Polyester, 25% Acetate
15% Polypropylene, 300 g/m2
100,000 Martindale



Velvet [view color options](#)

100% Polyester
360 g/m2
82,000 Martindale



Twist [view color options](#)

100% Polyester
400 g/m2
36,000 Martindale



Earth [view color options](#)

100% Polyester, 400 g/m2
78,000 Martindale
100,000 Martindale



Wool SKU: ELA-1-W

70% Recycled Wool
20% Polyester
5% Polyamide
5% Acrylic, 375 g/m2
55,000 Martindale



Leather SKU: ELA-1-L

70% Recycled Wool
20% Polyester
5% Polyamide
5% Acrylic, 375 g/m2
55,000 Martindale



Environmental

FSC or equivalent, Low VOC / Greenguard, ISO 9001, Raw Materials sourced in same / neighbouring country, Cradle to Cradle / Design for Disassembly, Quality Policy, Recycleable content over 50%.

Ela Chaise+1



The Ela Chaise+1 epitomizes sustainable design, seamlessly blending contemporary elegance with purposeful features. As a practical and modular OEM product, it prioritizes exceptional comfort and longevity. The removable and washable covers facilitate easy maintenance and refurbishment, while the upholstery options, certified by the Nordic Swan Ecolabel, reflect a commitment to environmental standards. With each component individually renewable, flat-packed design, and emphasis on disassembly, recycling, and waste management, the Ela Chaise+1 represents eco-consciousness. Backed by a 5-year guarantee, it offers both style and sustainability.



Technical Information

Ela Chaise+1

Materials / Finishes

Fire Retardant Foam Seat & Back, Upholstered in Fabric or Wool

Fabric SKU: ELA-C+1-F

Armony [view color options](#)
100% Polyester
295 g/m2
100,000 Martindale



Rama [view color options](#)
100% Polyester, 25% Acetate
15% Polypropylene, 300 g/m2
100,000 Martindale



Velvet [view color options](#)
100% Polyester
360 g/m2
82,000 Martindale



Twist [view color options](#)
100% Polyester
400 g/m2
36,000 Martindale



Earth [view color options](#)
100% Polyester, 400 g/m2
78,000 Martindale
100,000 Martindale



Wool SKU: ELA-C+1-W

70% Recycled Wool
20% Polyester
5% Polyamide
5% Acrylic, 375 g/m2
55,000 Martindale



Leather SKU: ELA-C+1-L

70% Recycled Wool
20% Polyester
5% Polyamide
5% Acrylic, 375 g/m2
55,000 Martindale



Environmental

FSC or equivalent, Low VOC / Greenguard, ISO 9001, Raw Materials sourced in same / neighbouring country, Cradle to Cradle / Design for Disassembly, Quality Policy, Recycleable content over 50%.

Ela Chaise+2



The Ela Chaise+2 embodies sustainable design with its contemporary elegance and meaningful features. This practical and modular OEM product is exceptionally comfortable and crafted with a long life-cycle in mind. Its removable and washable covers make maintenance and refurbishment effortless. The selection of fabrics with the Nordic Swan Ecolabel, one of the world's strictest environmental certifications, showcases its commitment to sustainability. All parts of this sofa can be individually renewed, and its flat-packed design prioritizes disassembly, recycling, and waste management. With a 5-year guarantee, the Ela Chaise+2 combines durability, style, and eco-consciousness.



Technical Information

Ela Chaise+2

Materials / Finishes

Fire Retardant Foam Seat & Back, Upholstered in Fabric or Wool

Fabric SKU: ELA-C+2-F

Armony [view color options](#)
100% Polyester
295 g/m2
100,000 Martindale



Rama [view color options](#)
100% Polyester, 25% Acetate
15% Polypropylene, 300 g/m2
100,000 Martindale



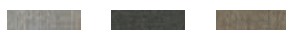
Velvet [view color options](#)
100% Polyester
360 g/m2
82,000 Martindale



Twist [view color options](#)
100% Polyester
400 g/m2
36,000 Martindale



Earth [view color options](#)
100% Polyester, 400 g/m2
78,000 Martindale
100,000 Martindale



Wool SKU: ELA-C+2-W

70% Recycled Wool
20% Polyester
5% Polyamide
5% Acrylic, 375 g/m2
55,000 Martindale



Leather SKU: ELA-C+2-L

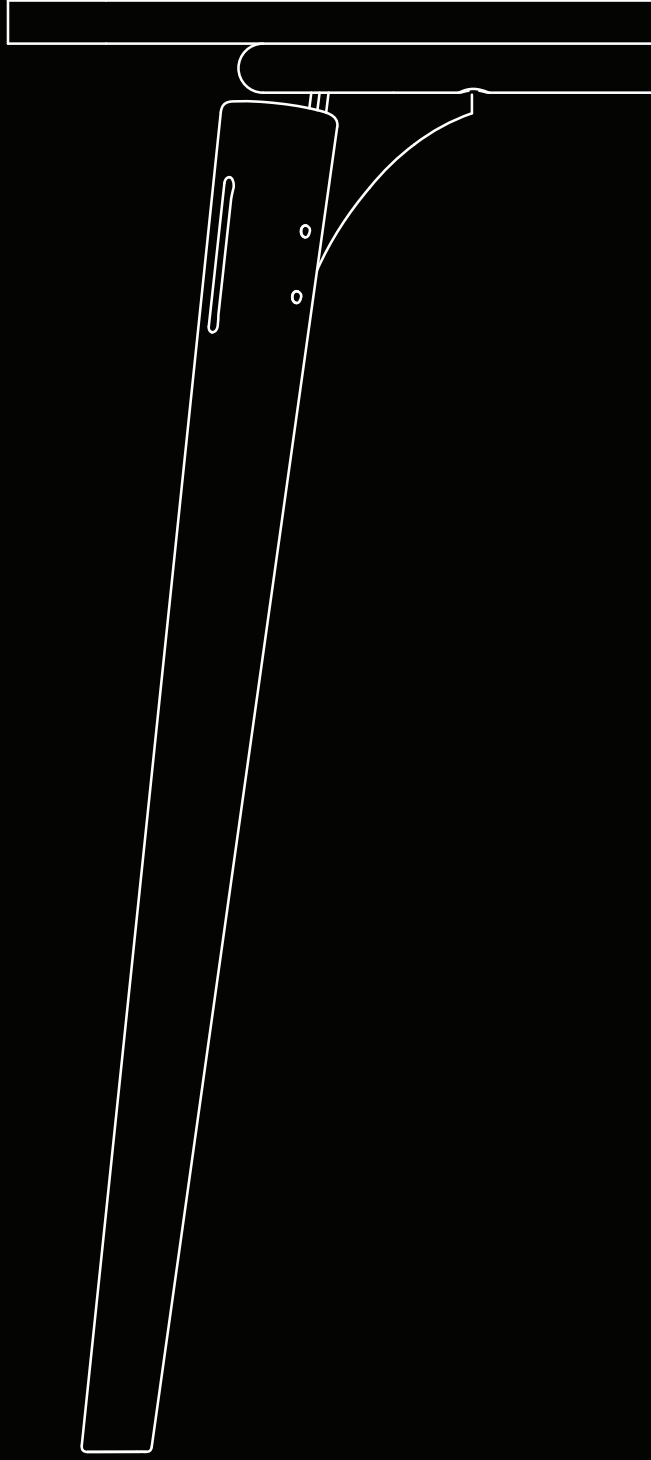
70% Recycled Wool
20% Polyester
5% Polyamide
5% Acrylic, 375 g/m2
55,000 Martindale



Environmental

FSC or equivalent, Low VOC / Greenguard, ISO 9001, Raw Materials sourced in same / neighbouring country, Cradle to Cradle / Design for Disassembly, Quality Policy, Recycleable content over 50%.

Tables



SLS Table

A testament to versatility
and sustainability



SLS Table - Square Wood Legs

Designed by Alejandro Villarreal

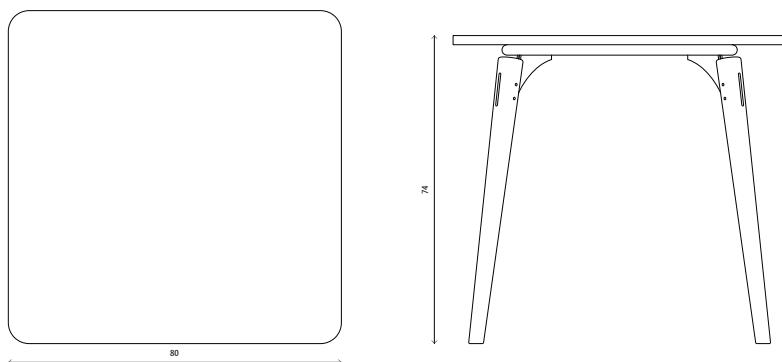


The Second Life System table, or SLS table, is a testament to versatility and sustainability. Comprising three distinct components—main frame, table top, and legs—this innovative table enables effortless reconfiguration, maintenance, and recycling throughout its lifetime. Designed with an elegant and modern aesthetic, the SLS table offers initially four different color combinations, yet its nature allows for virtually endless possibilities as it adapts to changing needs and styles. Embodying ease of use and adaptability, the SLS table is a dynamic and eco-conscious addition to dining rooms, restaurants, bars, and coffee shops.



Technical Information

SLS Table - Square - Wood legs



Materials/Finishes

Powder Coated Metal Frame, Beech Veneer on Top of Birch Plywood with Beech Edge, Solid Beech Legs
This product can be customised to different colors and finishes.



Black SKU: SLST-SQ-W-101

Black RAL 9005 Frame
Natural Beech Table top
Natural Beech Legs



Grey SKU: SLST-SQ-W-102

Grey RAL 7037 Frame
Stained Beech Table top
Stained Beech Legs



Brown SKU: SLST-SQ-W-103

Brown RAL 8015 Frame
Stained Beech Table top
Stained Beech Legs



Green SKU: SLST-SQ-W-104

Green RAL 6007 Frame
Natural Beech Table top
Natural Beech Legs

Environmental

Low VOC / Greenguard, Raw Materials sourced in same / neighbouring country, Cradle to Cradle / Design for Disassembly, Quality Policy, Recycleable content over 90%.

SLS Table - Square Metal Legs

Designed by Alejandro Villarreal

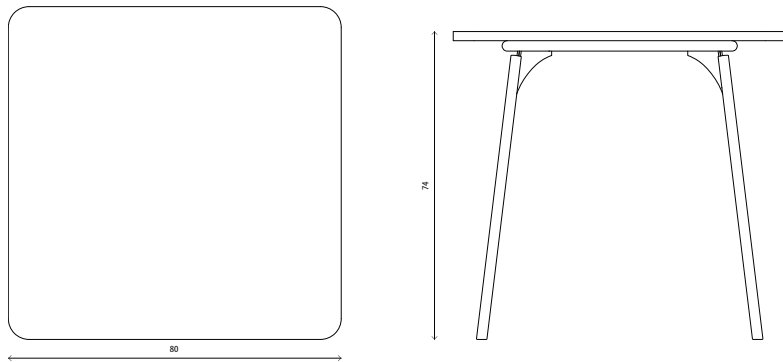


The Second Life System table, or SLS table, is a testament to versatility and sustainability. Comprising three distinct components—main frame, table top, and legs—this innovative table enables effortless reconfiguration, maintenance, and recycling throughout its lifetime. Designed with an elegant and modern aesthetic, the SLS table offers initially four different color combinations, yet its nature allows for virtually endless possibilities as it adapts to changing needs and styles. Embodying ease of use and adaptability, the SLS table is a dynamic and eco-conscious addition to dining rooms, restaurants, bars, and coffee shops.



Technical Information

SLS Table - Square - Metal legs



Materials/Finishes

Powder Coated Metal Frame and Legs, Beech Veneer on Top of Birch Plywood with Beech Edge
This product can be customised to different colors and finishes.



Black SKU: SLST-SQ-M-101

Black RAL 9005 Frame and legs
Natural Beech Table top



Grey SKU: SLST-SQ-M-102

Grey RAL 7037 Frame and legs
Stained Beech Table top



Brown SKU: SLST-SQ-M-103

Brown RAL 8015 Frame and legs
Stained Beech Table top



Green SKU: SLST-SQ-M-104

Green RAL 6007 Frame and legs
Natural Beech Table top

Environmental

Low VOC / Greenguard, Raw Materials sourced in same / neighbouring country, Cradle to Cradle / Design for Disassembly, Quality Policy, Recycleable content over 90%.

SLS Table - Circular Wood Legs

Designed by Alejandro Villarreal

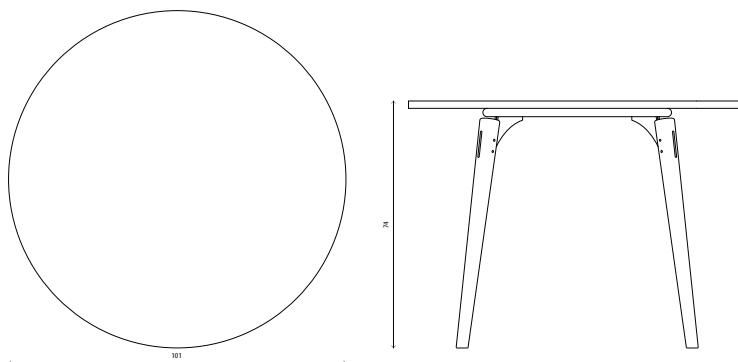


The Second Life System table, or SLS table, is a testament to versatility and sustainability. Comprising three distinct components—main frame, table top, and legs—this innovative table enables effortless reconfiguration, maintenance, and recycling throughout its lifetime. Designed with an elegant and modern aesthetic, the SLS table offers initially four different color combinations, yet its nature allows for virtually endless possibilities as it adapts to changing needs and styles. Embodying ease of use and adaptability, the SLS table is a dynamic and eco-conscious addition to dining rooms, restaurants, bars, and coffee shops.



Technical Information

SLS Table - Circular - Wood legs



Materials/Finishes

Powder Coated Metal Frame, Beech Veneer on Top of Birch Plywood with Beech Edge, Solid Beech Legs
This product can be customised to different colors and finishes.



Black SKU: SLST-CIR-W-101

Black RAL 9005 Frame and legs
Natural Beech Table top



Grey SKU: SLST-CIR-W-102

Grey RAL 7037 Frame and legs
Stained Beech Table top



Brown SKU: SLST-CIR-W-103

Brown RAL 8015 Frame and legs
Stained Beech Table top



Green SKU: SLST-CIR-W-104

Green RAL 6007 Frame and legs
Natural Beech Table top

Environmental

Low VOC / Greenguard, Raw Materials sourced in same / neighbouring country, Cradle to Cradle / Design for Disassembly, Quality Policy, Recycleable content over 90%.

SLS Table - Circular Metal Legs

Designed by Alejandro Villarreal

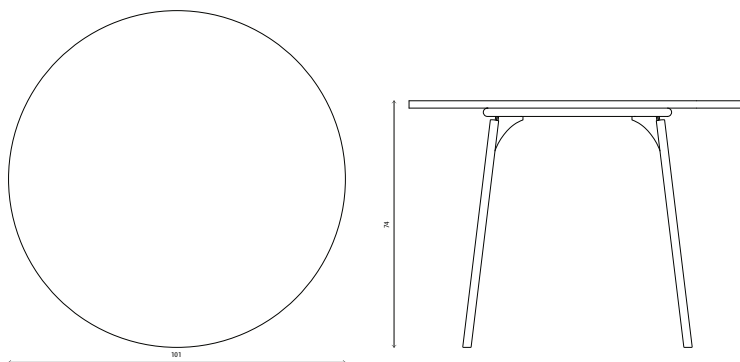


The Second Life System table, or SLS table, is a testament to versatility and sustainability. Comprising three distinct components—main frame, table top, and legs—this innovative table enables effortless reconfiguration, maintenance, and recycling throughout its lifetime. Designed with an elegant and modern aesthetic, the SLS table offers initially four different color combinations, yet its nature allows for virtually endless possibilities as it adapts to changing needs and styles. Embodying ease of use and adaptability, the SLS table is a dynamic and eco-conscious addition to dining rooms, restaurants, bars, and coffee shops.



Technical Information

SLS Table - Circular - Metal legs



Materials/Finishes

Powder Coated Metal Frame and Legs, Beech Veneer on Top of Birch Plywood with Beech Edge
This product can be customised to different colors and finishes.



Black SKU: SLST-CIR-M-101

Black RAL 9005 Frame and legs
Natural Beech Table top



Grey SKU: SLST-CIR-M-102

Grey RAL 7037 Frame and legs
Stained Beech Table top



Brown SKU: SLST-CIR-M-103

Brown RAL 8015 Frame and legs
Stained Beech Table top



Green SKU: SLST-CIR-M-104

Green RAL 6007 Frame and legs
Natural Beech Table top

Environmental

Low VOC / Greenguard, Raw Materials sourced in same / neighbouring country, Cradle to Cradle / Design for Disassembly, Quality Policy, Recycleable content over 90%.

SLS Table - Rectangular Wood

Designed by Alejandro Villarreal

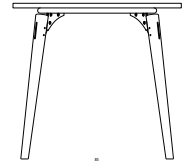
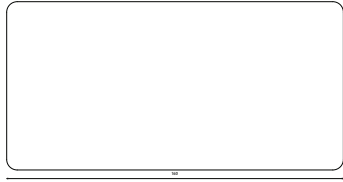


The Second Life System table, or SLS table, is a testament to versatility and sustainability. Comprising three distinct components—main frame, table top, and legs—this innovative table enables effortless reconfiguration, maintenance, and recycling throughout its lifetime. Designed with an elegant and modern aesthetic, the SLS table offers initially four different color combinations, yet its nature allows for virtually endless possibilities as it adapts to changing needs and styles. Embodying ease of use and adaptability, the SLS table is a dynamic and eco-conscious addition to dining rooms, restaurants, bars, and coffee shops.



Technical Information

SLST Table - Rectangular - Wood legs



Materials/Finishes

Powder Coated Metal Frame, Beech Veneer on Top of Birch Plywood with Beech Edge, Solid Beech Legs
This product can be customised to different colors and finishes.



Black SKU: SLST-REC-W-101

Black RAL 9005 Frame
Natural Beech Table top
Natural Beech Legs



Grey SKU: SLST-REC-W-102

Grey RAL 7037 Frame
Stained Beech Table top
Stained Beech Legs



Brown SKU: SLST-REC-W-103

Brown RAL 8015 Frame
Stained Beech Table top
Stained Beech Legs



Green SKU: SLST-REC-W-104

Green RAL 6007 Frame
Natural Beech Table top
Natural Beech Legs

Environmental

Low VOC / Greenguard, Raw Materials sourced in same / neighbouring country, Cradle to Cradle / Design for Disassembly, Quality Policy, Recycleable content over 90%.

SLS Table - Rectangular Metal

Designed by Alejandro Villarreal

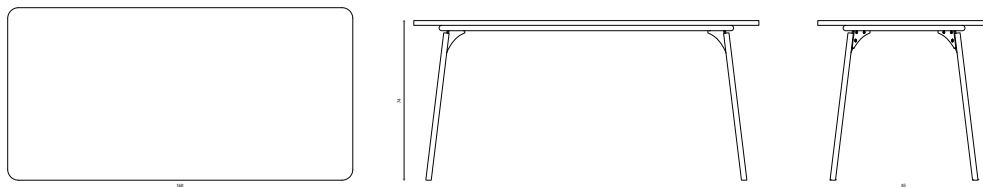


The Second Life System table, or SLS table, is a testament to versatility and sustainability. Comprising three distinct components—main frame, table top, and legs—this innovative table enables effortless reconfiguration, maintenance, and recycling throughout its lifetime. Designed with an elegant and modern aesthetic, the SLS table offers initially four different color combinations, yet its nature allows for virtually endless possibilities as it adapts to changing needs and styles. Embodying ease of use and adaptability, the SLS table is a dynamic and eco-conscious addition to dining rooms, restaurants, bars, and coffee shops.



Technical Information

SLS Table - Rectangular - Metal legs



Materials/Finishes

Powder Coated Metal Frame and Legs, Beech Veneer on Top of Birch Plywood with Beech Edge
This product can be customised to different colors and finishes.



Black SKU: SLST-REC-M-101

Black RAL 9005 Frame and legs
Natural Beech Table top



Grey SKU: SLST-REC-M-102

Grey RAL 7037 Frame and legs
Stained Beech Table top



Brown SKU: SLST-REC-M-103

Brown RAL 8015 Frame and legs
Stained Beech Table top



Green SKU: SLST-REC-M-104

Green RAL 6007 Frame and legs
Natural Beech Table top

Environmental

Low VOC / Greenguard, Raw Materials sourced in same / neighbouring country, Cradle to Cradle / Design for Disassembly, Quality Policy, Recycleable content over 90%.

WW Square Table

Designed by Alejandro Villarreal

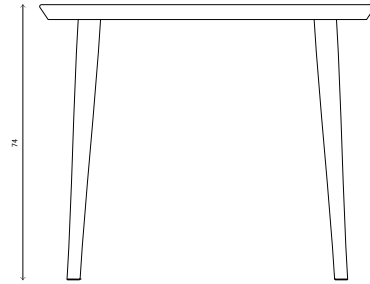
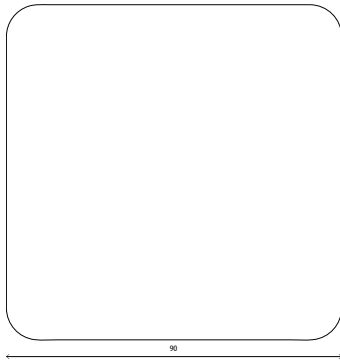


Based on a modern Windsor design, the WW table, was designed to go along the WW chairs. With the same angles and geometry of legs as the chairs, the WW table is made from a MDF core with natural oak veneer on the top and oak frame edges.



Technical Information

WW Square Table



Materials / Finishes

Solid Oak Legs, Oak Veneer on Top of Birch Plywood with Oak Edge
This product can be customised to different colors and finishes.



Oak & Black SKU:WWS701

Natural Lacquered Oak Top
Black RAL 9005 Edge
Black RAL 9005 Legs



Oak SKU:WWS702

Natural Lacquered Oak Top
Natural Lacquered Oak Edge
Natural Lacquered Oak Legs



CS3 SKU:WWS7CS3

Natural Lacquered Oak Top
Red RAL 3028 Edge
Deep Blue RAL 5008 Legs

Environmental

FSC or Equivalent, Raw Materials sourced in same/ neighbouring country, Cradle to Cradle/ Design for Disassembly, Quality Policy.

WW Rectangular Table

Designed by Alejandro Villarreal



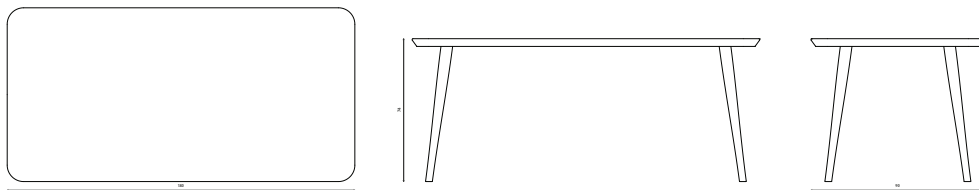
Based on a modern Windsor design, the WW table, was designed to go along the WW chairs. With the same angles and geometry of legs as the chairs, the WW table is made from a MDF core with natural oak veneer on the top and oak frame edges.

Available in 3 lengths.



Technical Information

WW Rectangular Table



This product is available in three lengths. 160 cm / 180 cm / 200 cm

Materials / Finishes

Solid Oak Legs, Oak Veneer on Top of Birch Plywood with Oak Edge
This product can be customised to different colors and finishes.



Oak & Black

160 cm SKU: WW1701
180 cm SKU: WW2701
200 cm SKU: WW3701

Natural Lacquered Oak Top
Black RAL 9005 Edge
Black RAL 9005 Legs



Oak

160 cm SKU: WW1702
180 cm SKU: WW2702
200 cm SKU: WW3702

Natural Lacquered Oak Top
Natural Lacquered Oak Edge
Natural Lacquered Oak Legs



CS3

160 cm SKU: WW17CS3
180 cm SKU: WW27CS3
200 cm SKU: WW37CS3

Natural Lacquered Oak Top
Red RAL 3028 Edge
Deep Blue RAL 5008 Legs

Environmental

FSC or Equivalent, Raw Materials sourced in same/ neighbouring country, Cradle to Cradle/ Design for Disassembly, Quality Policy.

Kensington Square Table

Designed by Faudet Harrison

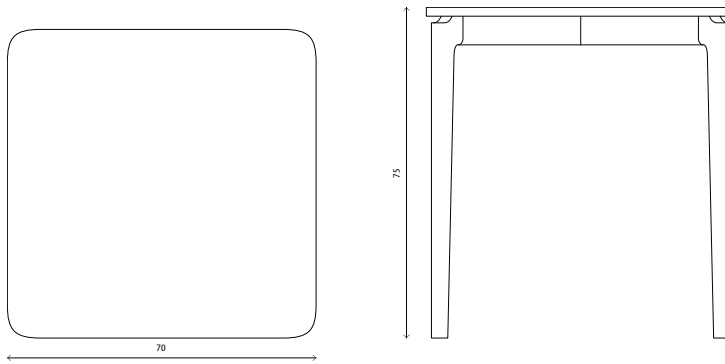


The Kensington group offers exquisite handwriting and precise detailing of the aesthetic within its collection. Elegant joinery and attention to fine detail adds to this family.



Technical Information

Kensington Square Table



Materials / Finishes

Solid Oak Frame, HPL on Top of Birch Plywood

This product can be customised to different colors and finishes.



Black SKU: KNS707

Black RAL 9005 Top
Black RAL 9005 Legs
Natural Oak Edge



Oak SKU: KNS703

Natural Oak Top
Natural Oak Legs
Natural Oak Edge

Environmental

FSC or Equivalent, Raw Materials sourced in same/ neighbouring country, Cradle to Cradle/ Design for Disassembly, Quality Policy.

Kensington Circular Table

Designed by Faudet Harrison

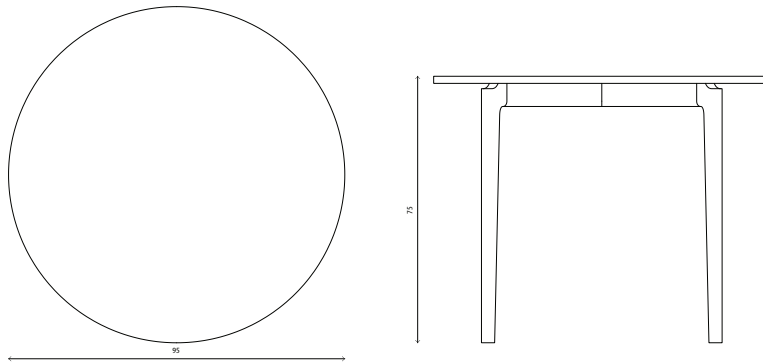


The Kensington group offers exquisite handwriting and precise detailing of the aesthetic within its collection. Elegant joinery and attention to fine detail adds to this family.



Technical Information

Kensington Circular Table



Materials / Finishes

Solid Oak Frame, HPL on Top of Birch Plywood

This product can be customised to different colors and finishes.



Black SKU: KNC707

Black RAL 9005 Top
Black RAL 9005 Legs
Natural Oak Edge



Oak SKU: KNC703

Natural Oak Top
Natural Oak Legs
Natural Oak Edge

Environmental

FSC or Equivalent, Raw Materials sourced in same/ neighbouring country, Cradle to Cradle/ Design for Disassembly, Quality Policy.

Kensington Rectangular

Designed by Faudet Harrison

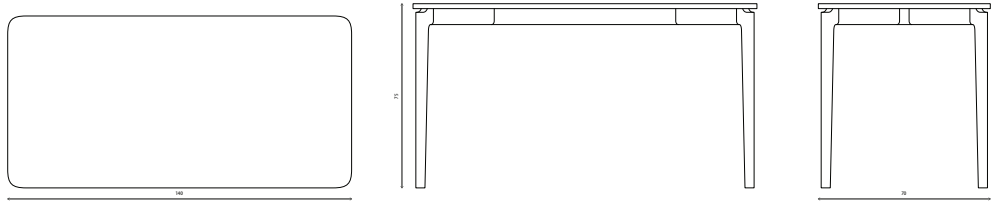


The Kensington group offers exquisite handwriting and precise detailing of the aesthetic within its collection. Elegant joinery and attention to fine detail adds to this family.



Technical Information

Kensington Rectangular Table



Materials / Finishes

Solid Oak Frame, HPL on Top of Birch Plywood

This product can be customised to different colors and finishes.



Black SKU:KNR707

Black RAL 9005 Top
Black RAL 9005 Legs
Natural Oak Edge



Oak SKU: KNR703

Natural Oak Top
Natural Oak Legs
Natural Oak Edge

Environmental

FSC or Equivalent, Raw Materials sourced in same/ neighbouring country, Cradle to Cradle/ Design for Disassembly, Quality Policy.



Otto Chair with Otto Table

Otto Square Table

Designed by Alejandro Villarreal

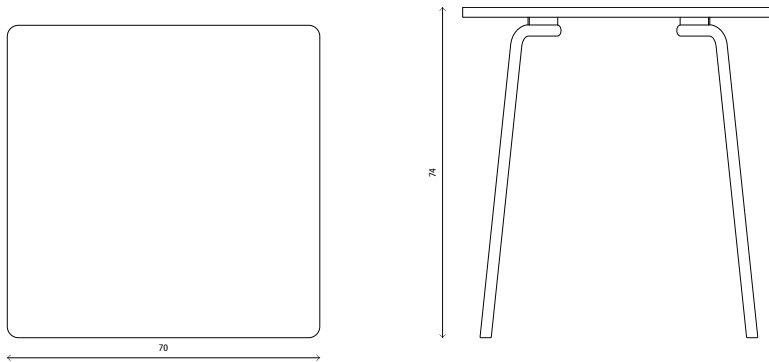


The Otto table is a playful and sophisticated piece that blends a simple and functional metal leg with a warm table top. The playful juxtaposition of materials is typical of its designer, Alejandro Villarreal. All the components of the table are easily detachable, aiding in the process of reparation, renovation and recycling.



Technical Information

Otto Square Table



Materials / Finishes

Powder Coated Steel Base, HPL on Top of Birch Plywood
This product can be customised to different colors and finishes.



Black SKU:OTS707

Black RAL 9005 Top
Black RAL 9005 Legs
Natural Oak Edge



White SKU:OTS711

White RAL 9003 Top
White RAL 9003 Legs
Natural Oak Edge

Environmental

FSC or Equivalent, Raw Materials sourced in same/ neighbouring country, Cradle to Cradle/ Design for Disassembly, Quality Policy.

Otto Circular Table

Designed by Alejandro Villarreal

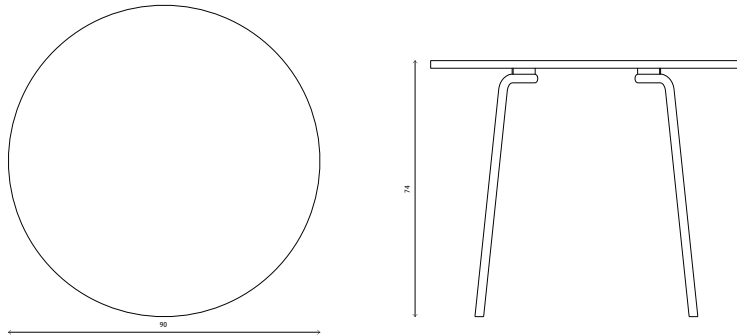


The Otto table is a playful and sophisticated piece that blends a simple and functional metal leg with a warm table top. The playful juxtaposition of materials is typical of its designer, Alejandro Villarreal. All the components of the table are easily detachable, aiding in the process of reparation, renovation and recycling.



Technical Information

Otto Circular Table



Materials / Finishes

Powder Coated Steel Base, HPL on Top of Birch Plywood
This product can be customised to different colors and finishes.



Black SKU:OTC707

Black RAL 9005 Top
Black RAL 9005 Legs
Natural Oak Edge



White SKU:OTC711

White RAL 9003 Top
White RAL 9003 Legs
Natural Oak Edge

Environmental

FSC or Equivalent, Raw Materials sourced in same/ neighbouring country, Cradle to Cradle/ Design for Disassembly, Quality Policy.

Otto Rectangular Table

Designed by Alejandro Villarreal

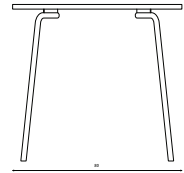
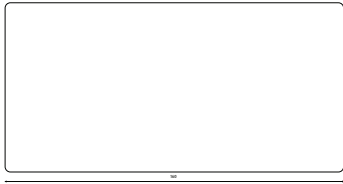


The Otto table is a playful and sophisticated piece that blends a simple and functional metal leg with a warm table top. The playful juxtaposition of materials is typical of its designer, Alejandro Villarreal. All the components of the table are easily detachable, aiding in the process of reparation, renovation and recycling.



Technical Information

Otto Rectangular Table



Materials / Finishes

Powder Coated Steel Base, HPL on Top of Birch Plywood
This product can be customised to different colors and finishes.



Black SKU:OTR707

Black RAL 9005 Top
Black RAL 9005 Legs
Natural Oak Edge



White SKU:OTR711

White RAL 9003 Top
White RAL 9003 Legs
Natural Oak Edge

Environmental

FSC or Equivalent, Raw Materials sourced in same/ neighbouring country, Cradle to Cradle/ Design for Disassembly, Quality Policy.

Reintroducing the Pie Chart System with countless configurations



Pie Chart System 1/4 Table

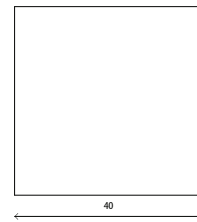
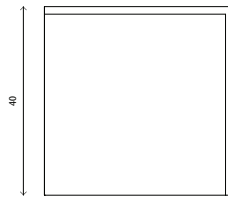
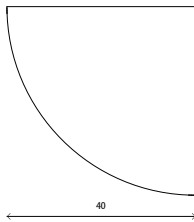
Designed by Alejandro Villarreal



This is an ingenious modular side- or coffee-table system that can be built up from three different units: a quarter circle, a half circle and a three-quarter circle. The different modules are all compatible and can be combined together — making almost endless configurations in all. It's simple, playful and highly versatile.

Technical Information

Pie Chart System - 1/4 Table



Materials / Finishes

Oak Veneer on Top of Birch Plywood with Oak Edge
This product can be customised to different colors and finishes.



Black SKU: PCS-1/4-101

Black RAL 9005



Yellow SKU: PCS-1/4-102

Yellow RAL 1018



Oak SKU: PCS-1/4-103

Natural Oak

Environmental

FSC or Equivalent, Raw Materials sourced in same/ neighbouring country, Cradle to Cradle/ Design for Disassembly, Quality Policy.

Pie Chart System 1/2 Table

Designed by Alejandro Villarreal

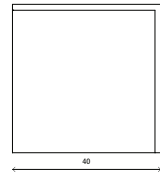
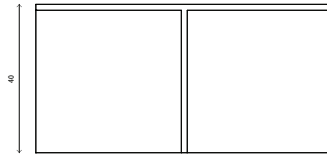
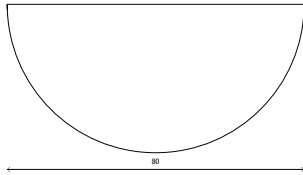


This is an ingenious modular side- or coffee-table system that can be built up from three different units: a quarter circle, a half circle and a three-quarter circle. The different modules are all compatible and can be combined together — making almost endless configurations in all. It's simple, playful and highly versatile.



Technical Information

Pie Chart System - 1/2 Table



Materials / Finishes

Oak Veneer on Top of Birch Plywood with Oak Edge
This product can be customised to different colors and finishes.



Black SKU: PCS-1/2-101

Black RAL 9005



Yellow SKU: PCS-1/2-102

Yellow RAL 1018



Oak SKU: PCS-1/2-103

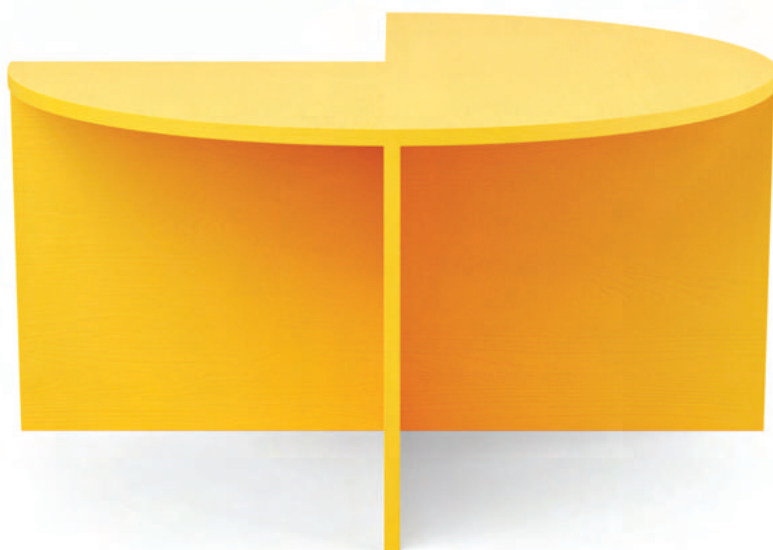
Natural Oak

Environmental

FSC or Equivalent, Raw Materials sourced in same/ neighbouring country, Cradle to Cradle/ Design for Disassembly, Quality Policy.

Pie Chart System 3/4 Table

Designed by Alejandro Villarreal

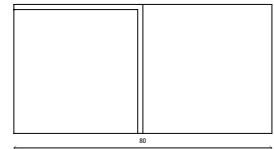
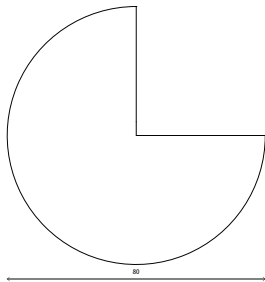


This is an ingenious modular side- or coffee-table system that can be built up from three different units: a quarter circle, a half circle and a three-quarter circle. The different modules are all compatible and can be combined together — making almost endless configurations in all. It's simple, playful and highly versatile.



Technical Information

Pie Chart System - 3/4 Table



Materials / Finishes

Oak Veneer on Top of Birch Plywood with Oak Edge
This product can be customised to different colors and finishes.



Black SKU: PCS-3/4-101

Black RAL 9005



Yellow SKU: PCS-3/4-102

Yellow RAL 1018



Oak SKU: PCS-3/4-103

Natural Oak

Environmental

FSC or Equivalent, Raw Materials sourced in same/ neighbouring country, Cradle to Cradle/ Design for Disassembly, Quality Policy.

WW Coffee Table

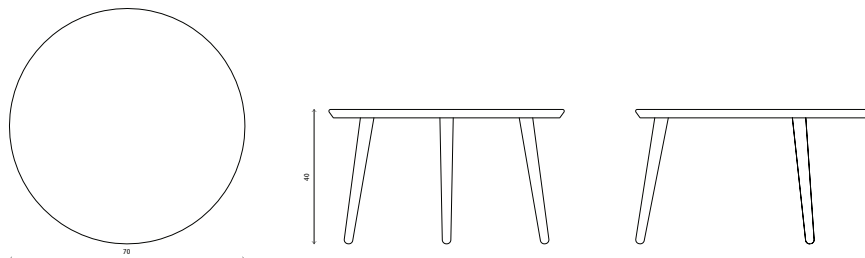
Designed by Alejandro Villarreal



The iconic WW collection celebrates the beauty of materials. An exquisite exercise in joinery and a future heirloom. This designed family is ever expanding.

Technical Information

WW Coffee Table



Materials / Finishes

Solid Oak Legs, Oak Veneer on Top of Birch Plywood with Oak Edge
This product can be customised to different colors and finishes.



Oak & Black SKU: WW1201

Natural Oak Laquered Top
Black RAL 9005 Edge
Black RAL 9005 Legs



CS3 SKU: WW12CS3

Natural Oak Laquered Top
Red RAL 3028 Edge
Deep Blue RAL 5008 Legs

Environmental

FSC or Equivalent, Raw Materials sourced in same/ neighbouring country, Cradle to Cradle/ Design for Disassembly, Quality Policy.

WW Side Table

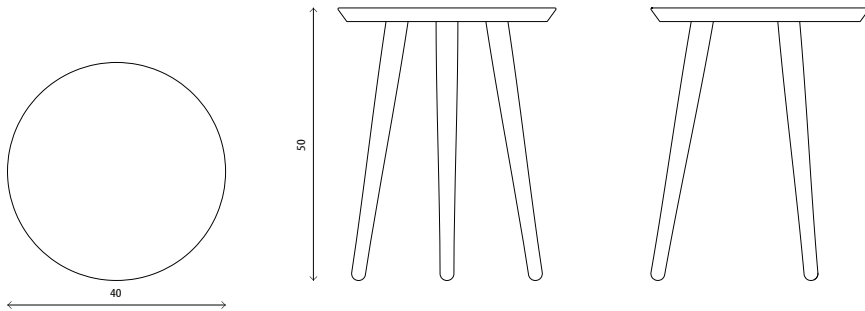
Designed by Alejandro Villarreal



The iconic WW collection celebrates the beauty of materials. An exquisite exercise in joinery and a future heirloom. This designed family is ever expanding.

Technical Information

WW Side Table



Materials / Finishes

Solid Oak Legs, Oak Veneer on Top of Birch Plywood with Oak Edge
This product can be customised to different colors and finishes.



Oak & Black SKU: WW1101

Natural Oak Laquered Top
Black RAL 9005 Edge
Black RAL 9005 Legs



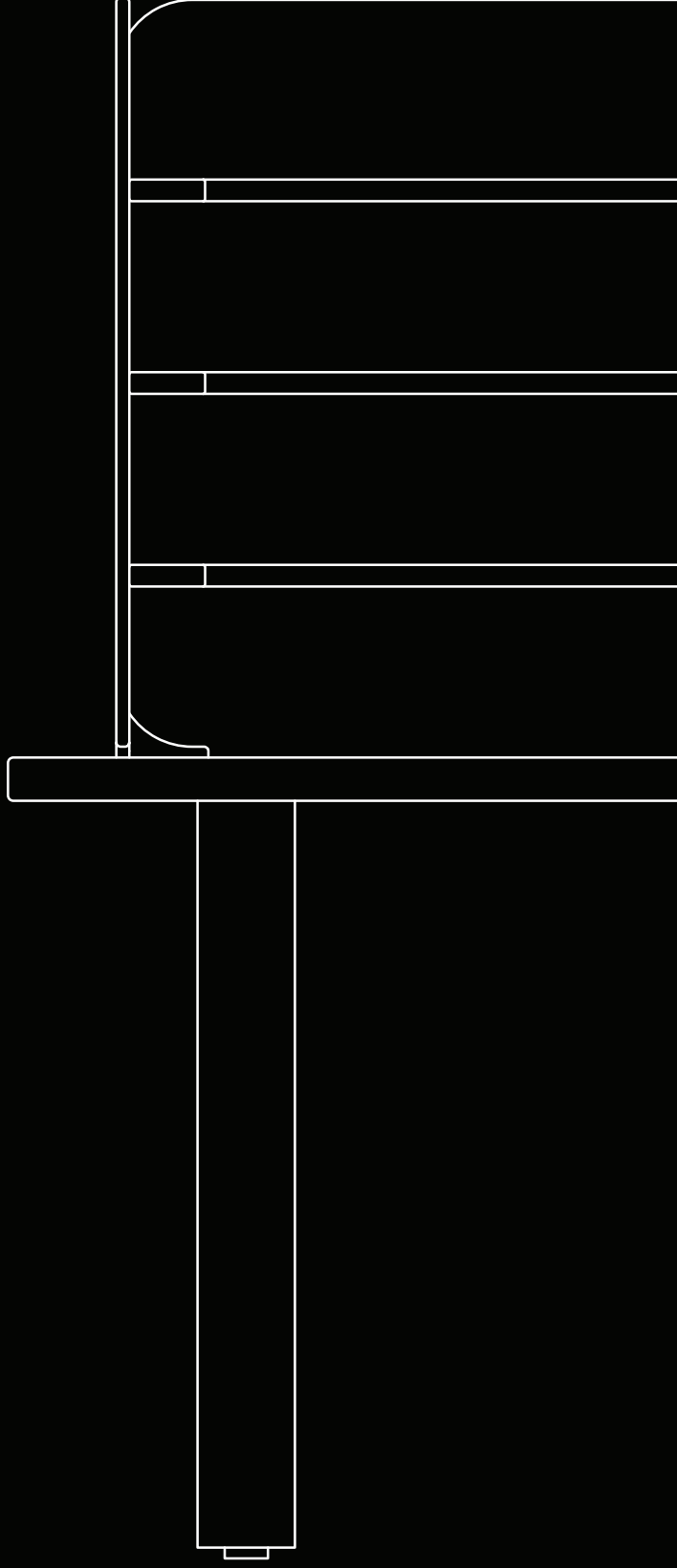
CS3 SKU: WW11CS3

Natural Oak Laquered Top
Red RAL 3028 Edge
Deep Blue RAL 5008 Legs

Environmental

FSC or Equivalent, Raw Materials sourced in same/ neighbouring country, Cradle to Cradle/ Design for Disassembly, Quality Policy.

Desks



SLS Desk

A testament to versatility
and sustainability



SLS Desk Wood Legs

Designed by Alejandro Villarreal

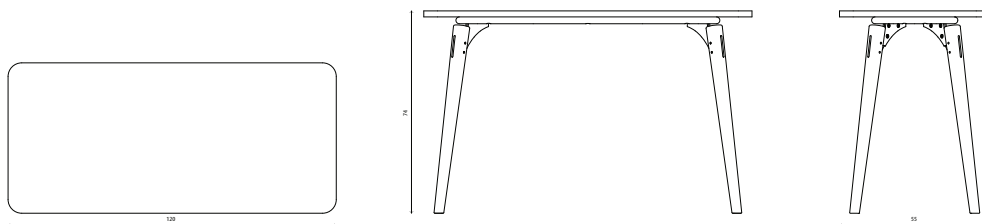


The Second Life System desk, or SLS desk, is a testament to versatility and sustainability. Comprising three distinct components—main frame, table top, and legs—this innovative table enables effortless reconfiguration, maintenance, and recycling throughout its lifetime. Designed with an elegant and modern aesthetic, the SLS desk offers initially four different color combinations, yet its nature allows for virtually endless possibilities as it adapts to changing needs and styles. Embodying ease of use and adaptability, the SLS desk is a dynamic and eco-conscious addition to bedroom and home office spaces.



Technical Information

SLS Desk - Wood legs



Materials/Finishes

Powder Coated Metal Frame, Beech Veneer on Top of Birch Plywood with Beech Edge, Solid Beech Legs
This product can be customised to different colors and finishes.



Black SKU: SLSD-W-101

Black RAL 9005 Frame
Natural Beech Table Top
Natural Beech Legs



Grey SKU: SLSD-W-102

Grey RAL 7037 Frame
Stained Beech Table Top
Stained Beech Legs



Brown SKU: SLSD-W-103

Brown RAL 8015 Frame
Stained Beech Table Top
Stained Beech Legs



Green SKU: SLSD-W-104

Green RAL 6007 Frame
Natural Beech Table Top
Natural Beech Legs

Environmental

Low VOC / Greenguard, Raw Materials sourced in same / neighbouring country, Cradle to Cradle / Design for Disassembly, Quality Policy, Recycleable content over 90%.

SLS Desk Metal Legs

Designed by Alejandro Villarreal

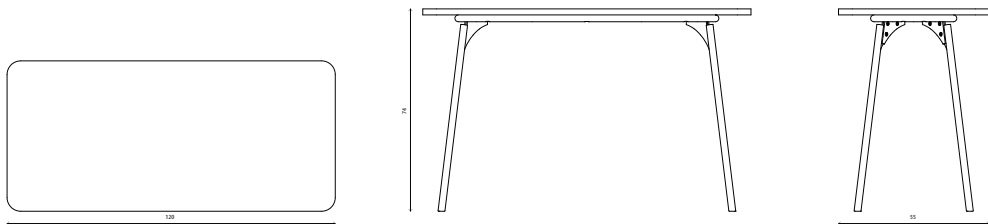


The Second Life System desk, or SLS desk, is a testament to versatility and sustainability. Comprising three distinct components—main frame, table top, and legs—this innovative table enables effortless reconfiguration, maintenance, and recycling throughout its lifetime. Designed with an elegant and modern aesthetic, the SLS desk offers initially four different color combinations, yet its nature allows for virtually endless possibilities as it adapts to changing needs and styles. Embodying ease of use and adaptability, the SLS desk is a dynamic and eco-conscious addition to bedroom and home office spaces.



Technical Information

SLS Desk - Metal legs



Materials/Finishes

Powder Coated Metal Frame and Legs, Beech Veneer on Top of Birch Plywood with Beech Edge
This product can be customised to different colors and finishes.



Black SKU: SLSD-M-101

Black RAL 9005 Frame and legs
Natural Beech Table Top



Grey SKU: SLSD-M-102

Grey RAL 7037 Frame and legs
Stained Beech Table Top



Brown SKU: SLSD-M-103

Brown RAL 8015 Frame and legs
Stained Beech Table Top



Green SKU: SLSD-M-104

Green RAL 6007 Frame
Green RAL 6007 Frame and legs
Natural Beech Table Top

Environmental

Low VOC / Greenguard, Raw Materials sourced in same / neighbouring country, Cradle to Cradle / Design for Disassembly, Quality Policy, Recycleable content over 90%.

Coffee Desk

An innovative coffee table that can easily transform into a small home office desk.



Coffee Desk

Designed by Alejandro Villarreal

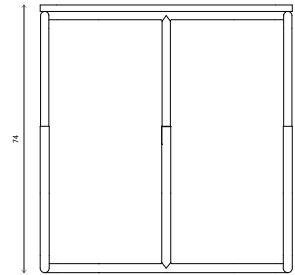
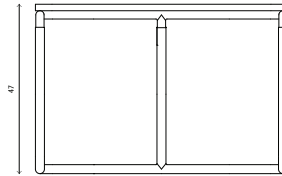
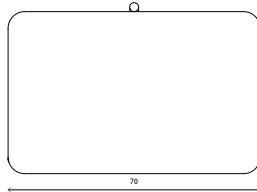


The Coffee Desk offers a unique blend of functionality and style, transforming effortlessly from a contemporary coffee table to a compact home office desk. Crafted with a metal tube structure and an oak veneer MDF tabletop, this piece is designed with modern living in mind. It caters specifically to the evolving needs of urban spaces, offering a versatile solution that balances the demands of smaller living areas with elegance and efficiency.



Technical Information

Coffee Desk



Materials/Finishes

Powder Coated Metal Frame, Beech Veneer on Top of Birch Plywood with Beech Edge
This product can be customised to different colors and finishes.



Black SKU: CD-101

Black RAL 9005 Frame and Legs
Natural Beech Table Top



Grey SKU: CD-102

Grey RAL 7037 Frame and Legs
Stained Beech Table Top



Brown SKU: CD-103

Brown RAL 8015 Frame and Legs
Stained Beech Table Top



Green SKU: CD-104

Green RAL 6007 Frame and Legs
Natural Beech Table Top

Environmental

Low VOC / Greenguard, Raw Materials sourced in same / neighbouring country, Cradle to Cradle / Design for Disassembly, Quality Policy, Recycleable content over 90%.

WW Desk

Designed by Alejandro Villarreal

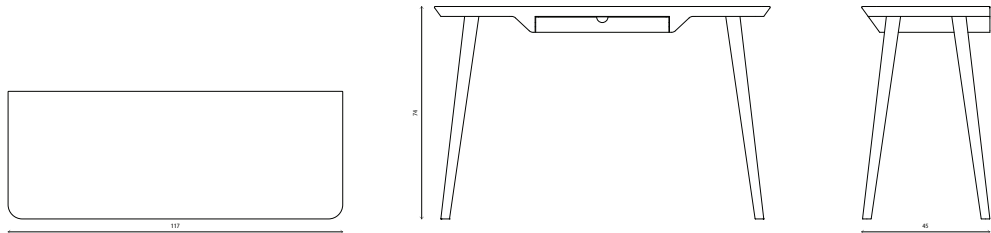


Based on a modern Windsor design, the WW desk, was designed to go along the WW chairs. With the same angles and geometry of legs as the chairs, the WW desk is made from a MDF core with natural oak veneer on the top and oak frame edges, and includes a very convenient drawer which sits almost invisibly under the table top.



Technical Information

WW Desk



Materials / Finishes

Solid Oak Legs, Oak Veneer on Top of Birch Plywood with Oak Edge
This product can be customised to different colors and finishes.



Oak & Black SKU: WW1301

Natural Oak Lacquered Top
Black RAL 9005 Edge
Black RAL 9005 Legs



CS3 SKU: WW13CS3

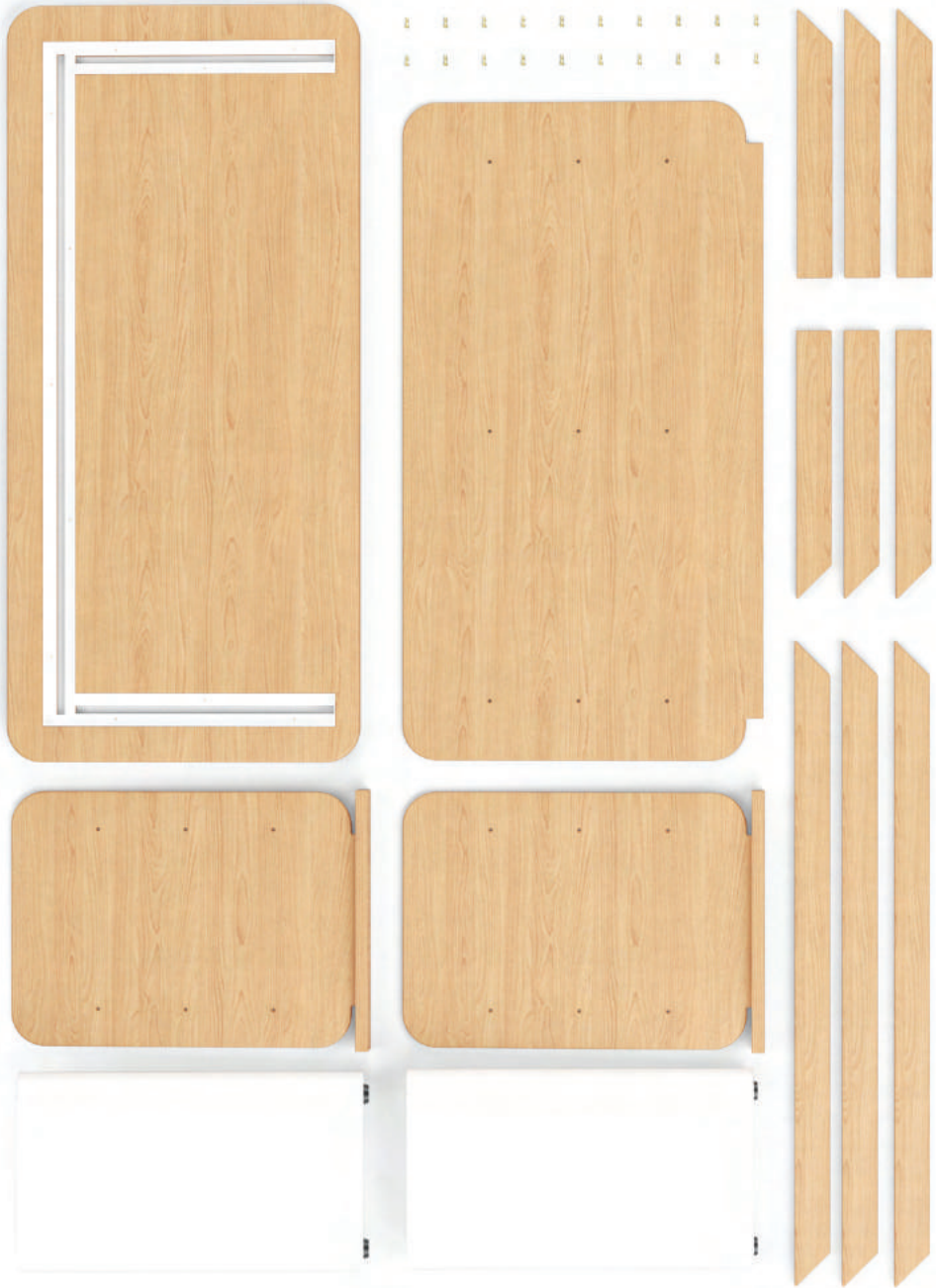
Natural Oak Lacquered Top
Red RAL 3028 Edge
Deep Blue RAL 5008 Legs

Environmental

FSC or Equivalent, Raw Materials sourced in same/ neighbouring country, Cradle to Cradle/ Design for Disassembly, Quality Policy.

Home Office System





HOS Desk components

HOS Desk

Designed by Alejandro Villarreal

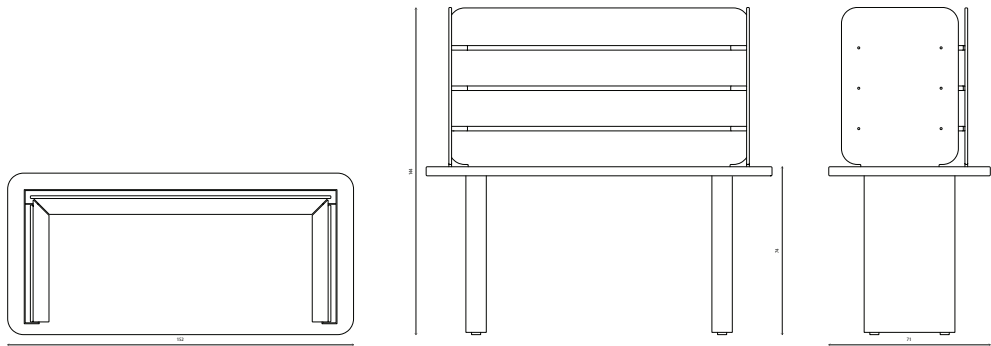


The HOS Desk, standing for Home Office System, epitomizes adaptability and modern design. Featuring three mountable and dismantable wooden panels, each with three detachable solid wood shelves, it caters to the evolving needs of the user. The sturdy metal legs are crafted from powder-coated steel, while the tabletop and panels are made from MDF with an oak veneer finish, exuding a timeless elegance. Created with the dynamic demands of modern living in mind, the HOS Desk addresses the burgeoning prominence of the home office, providing a versatile work solution that never compromises on style.



Technical Information

HOS Desk



Materials / Finishes

Powder Coated Metal Legs, Table top with Oak Veneer on Top of Birch Plywood with Oak Edge, Lateral panels with Oak Veneer on Top of Birch Plywood, Solid oak shelves.
This product can be customised to different colors and finishes.



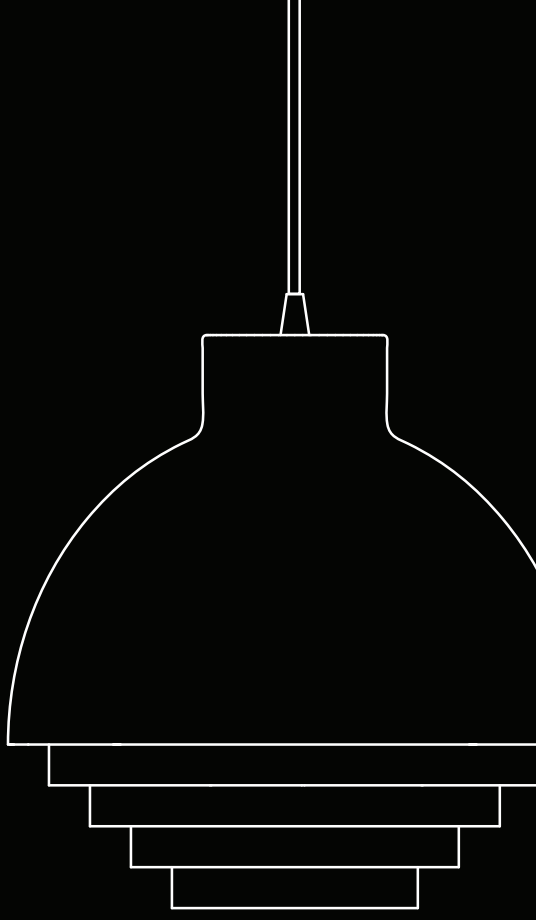
White SKU: HOS-101

White RAL 9016 Legs
Natural Oak Table Top
Natural Oak Panels
Solid Oak Shelves

Environmental

FSC or Equivalent, Raw Materials sourced in same/ neighbouring country, Cradle to Cradle/ Design for Disassembly, Quality Policy.

Lighting



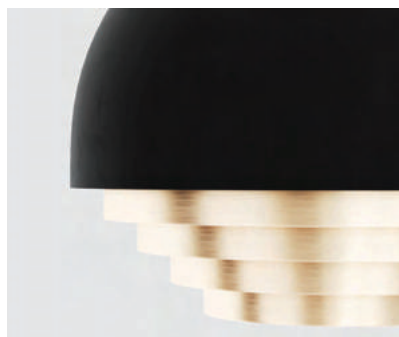


Strata Pendant Light

Designed by Alejandro Villarreal

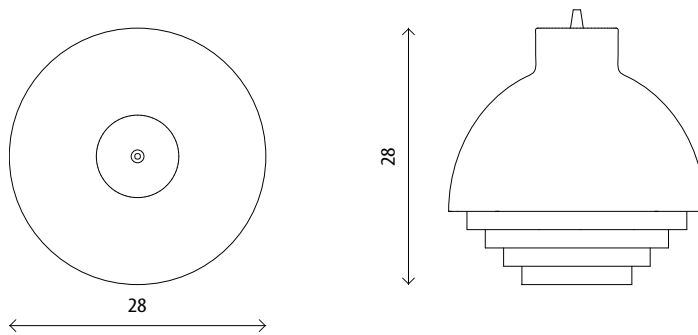


The Strata pendant lamp is the first lighting range designed by Hayche. With its reference to Mid-Century Scandinavian design, this contemporary lamp has an extended louvre detailing that enables a number of colour combinations and materials to be investigated within this design.



Technical Information

Strata Pendant Light



Materials / Finishes

Powder Coated Steel & Brass

This product can be customised to different colors and finishes.



Black & Brass SKU: ST0001

Matte Black RAL 9005 Dome
Satin Brass Louvres



White & Brass SKU: ST0002

Matte White RAL 9010 Dome
Satin Brass Louvres



Pink SKU: ST0003

Pantone 698C Dome
Pantone 699C Louvre 1
Pantone 700C Louvre 2
Pantone 701C Louvre 3



H Furniture Ltd
Registered Office
1, Brunswick House
Brunswick Way
L3 4BN, Liverpool

Registered in England
No. 08439199
VAT Registration
No. 162749292

hayche.com
hello@hayche.com