

UNIVERSAL SQUARE

How To Get The Most Out Of The Universal Square

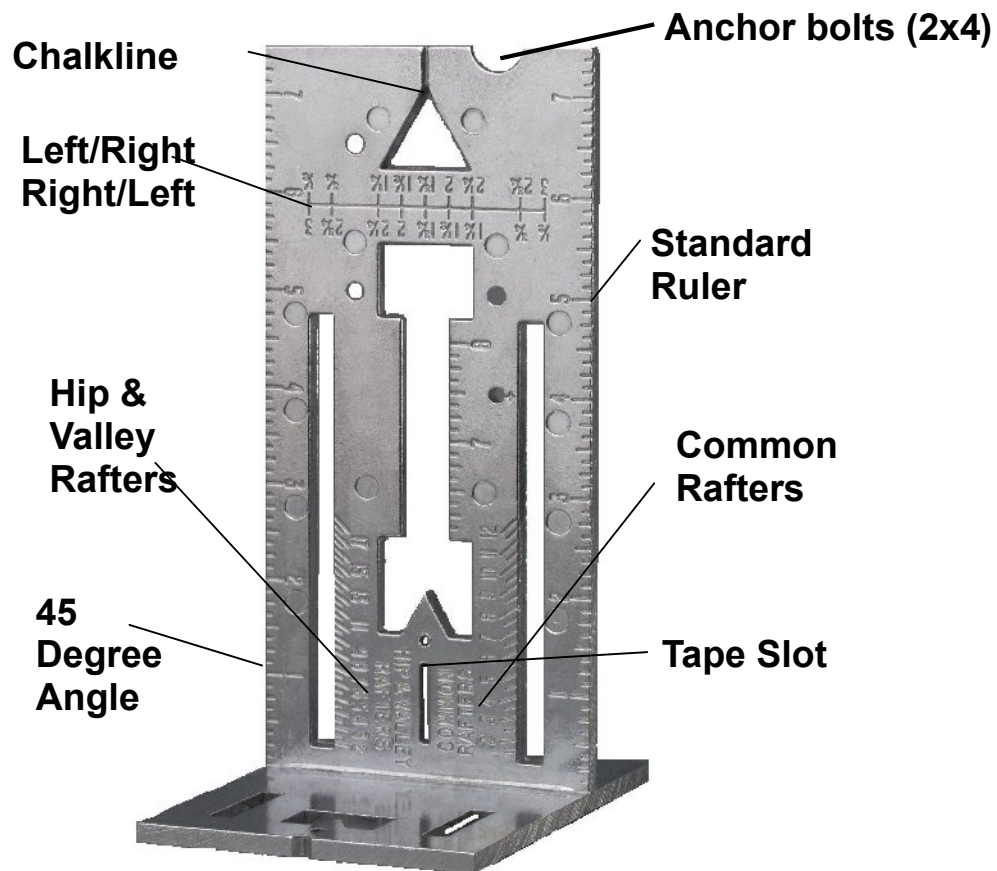


Table of Contents

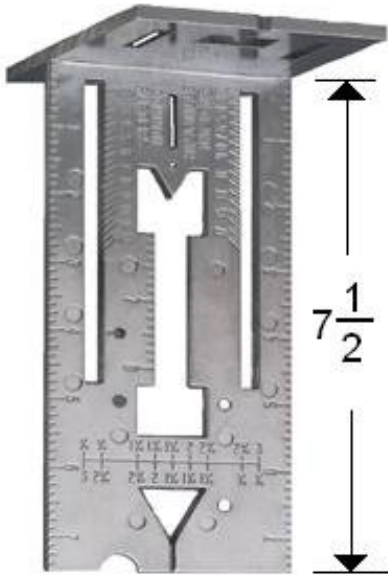
UNIVERSAL SQUARE Dimensions:

Cutouts/Fractions.....	1
Common Rafters/Hip & Valley Rafters.....	2
Fractions.....	3
Ruler.....	4

UNIVERSAL SQUARE Usage

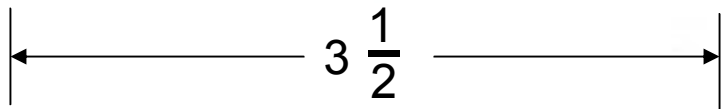
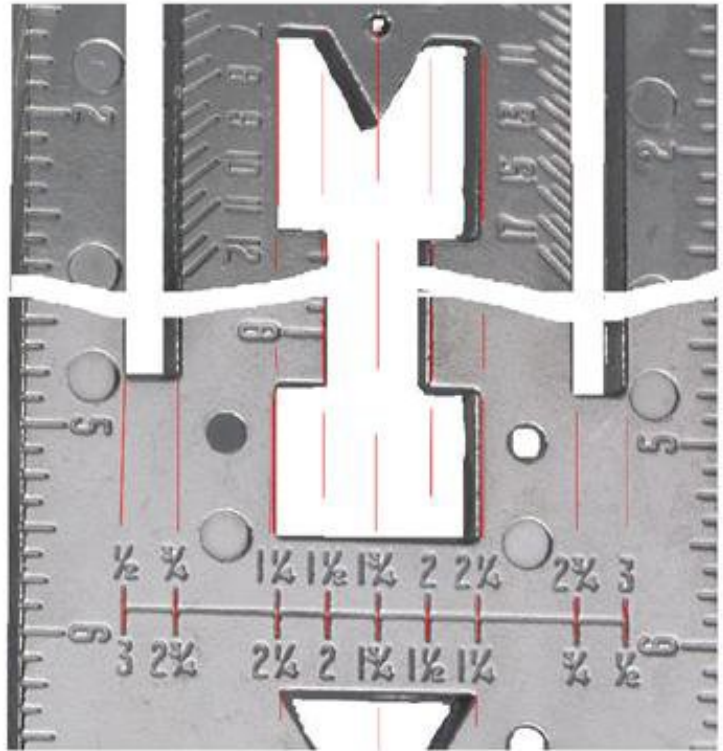
Line up boards.....	5
Straight cut/Circular saw.....	6
2x4 Ripping in half.....	7
Marking around 4x4/Corners.....	8
Tape Measure Assistance.....	9
Mark 2x4 Anchor Bolt.....	10
Square window and doors.....	11
2x4 Corner Foundation.....	12
2x6 Corner Foundation.....	13-14
2x8 Corner Foundation.....	15
2x4 Center Markings.....	16
2x6 Center Markings.....	17
Chalk line Assistance.....	18
Various ways to mark stud, middle partition, corner walls.....	19
2x4 Corner Stud Marking.....	20-21
2x6 Corner Stud Marking.....	22
2x4 Corner Stud Marking.....	23
2x6 Middle Partition.....	24
Common Rafter.....	25-26
Various Angles (example 45 degree).....	27
Illustrations.....	28-29
Other Uses (Fences and Decks).....	30
How to carry the Universal Square.....	31

Cutouts/Fractions



The fractions correspond with the cutouts for quick and easy measuring and marking.

$1\frac{3}{4}$ is the center. Half of a 2x4.



Exact width of a 2x4

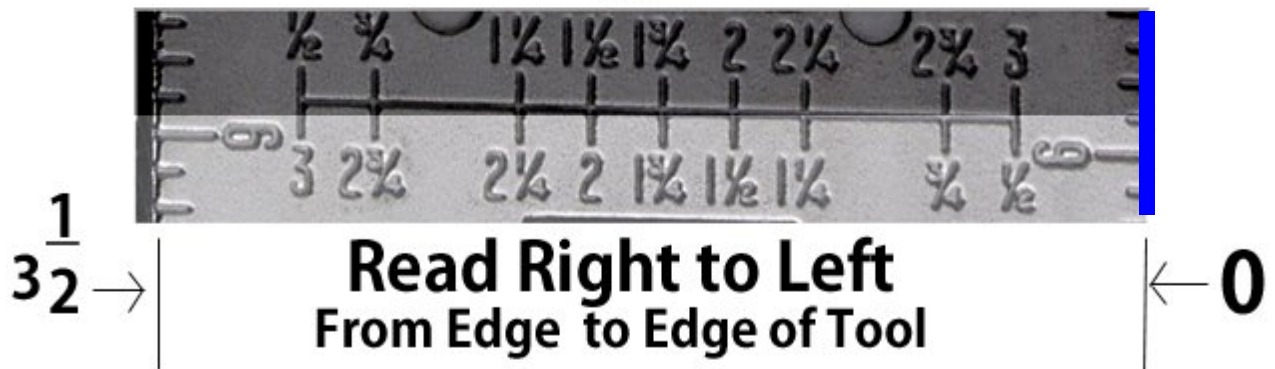
The cutouts on bottom of the Universal Square also correspond with the fractions for easy pencil markings.



Fractions

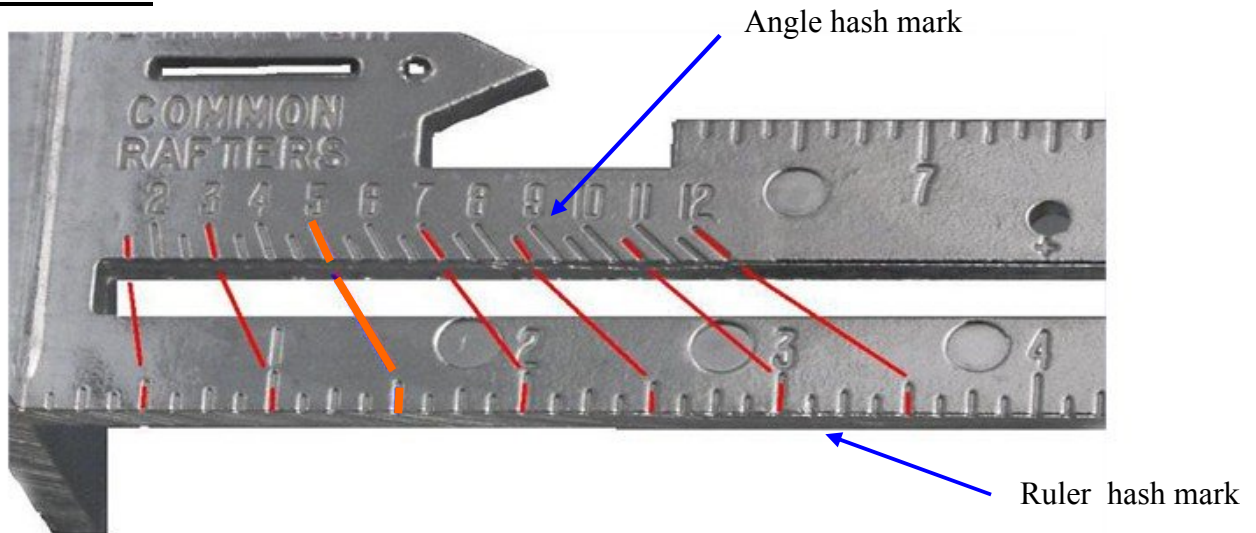


or



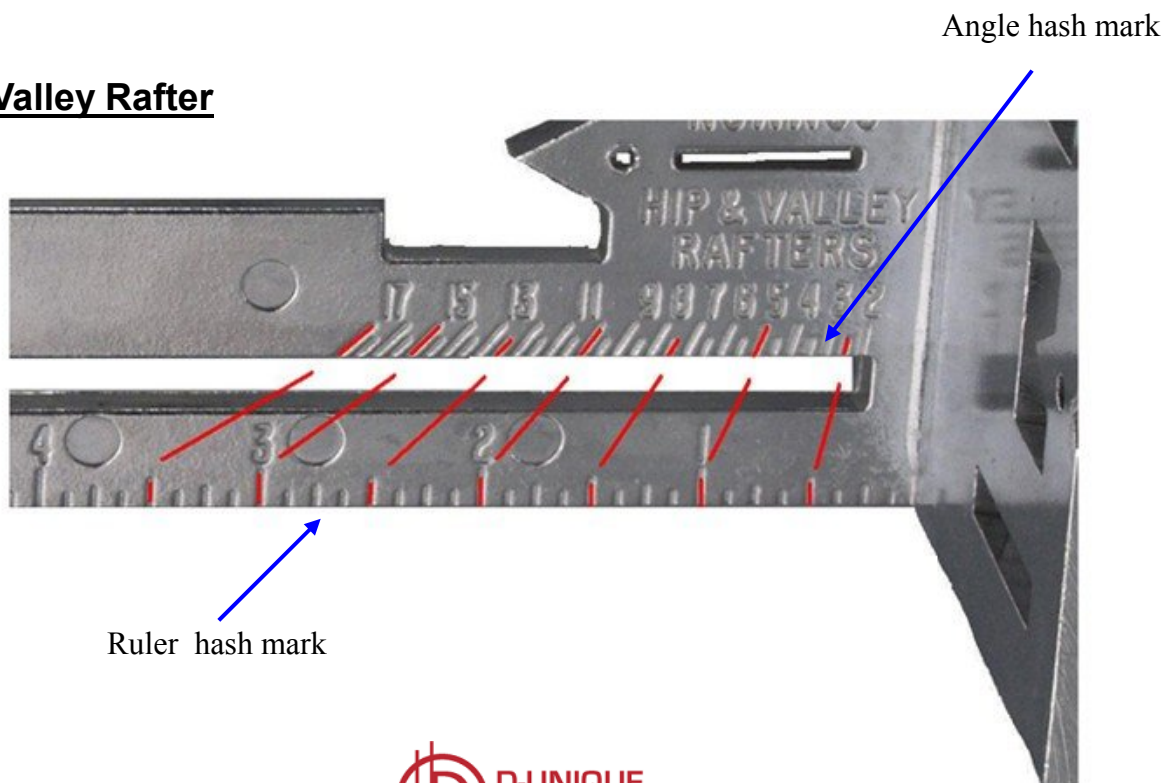
Common Rafters/ Hip & Valley Rafters (Dimension)

Common Rafter



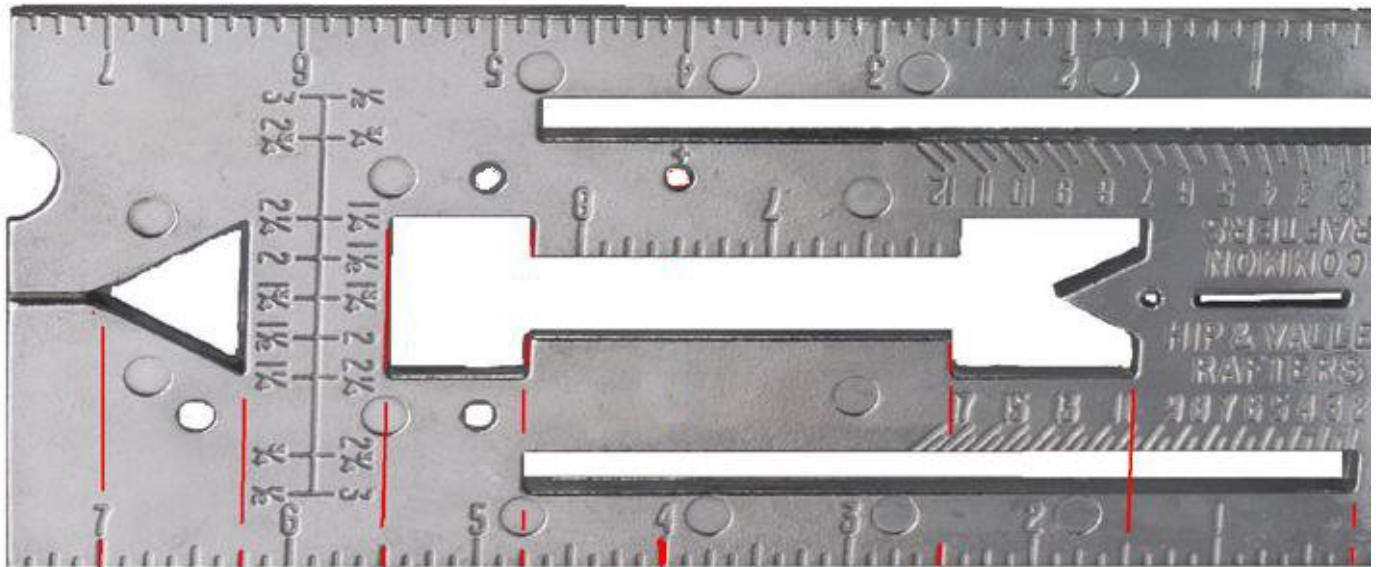
Each angle hash mark correspond with a ruler hash mark when it is lined up with the edge of a board and pivoted.

Hip & Valley Rafter



Ruler

The Ruler is 7 1/2 inches. Exact width of an 2x8.

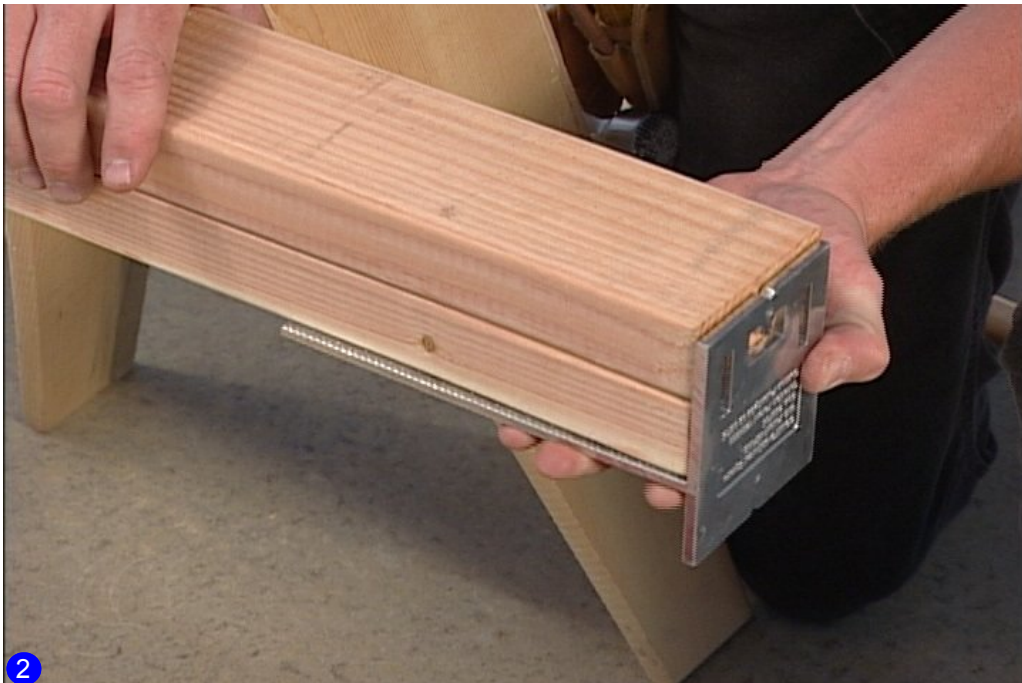


Ruler Hash Marks also correspond with cutouts.

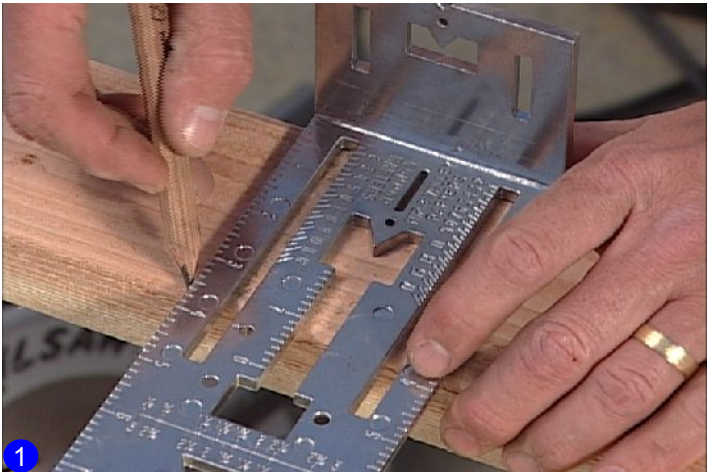
Line up boards



Place the Universal Square flush against a board, then move the other board against the tool.



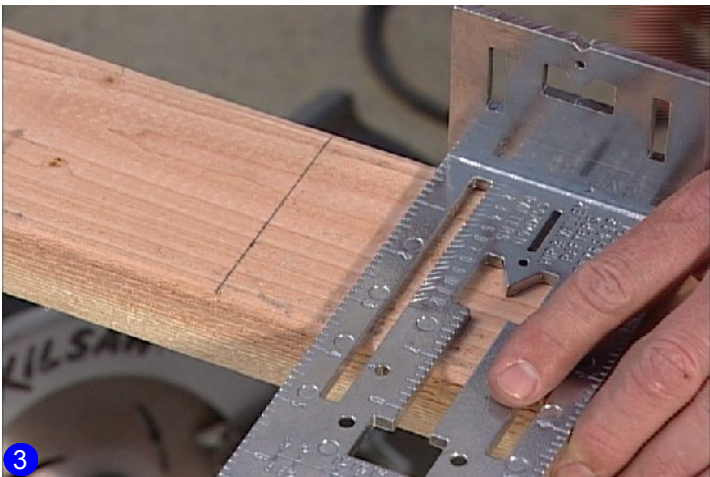
Straight cut/Circular saw



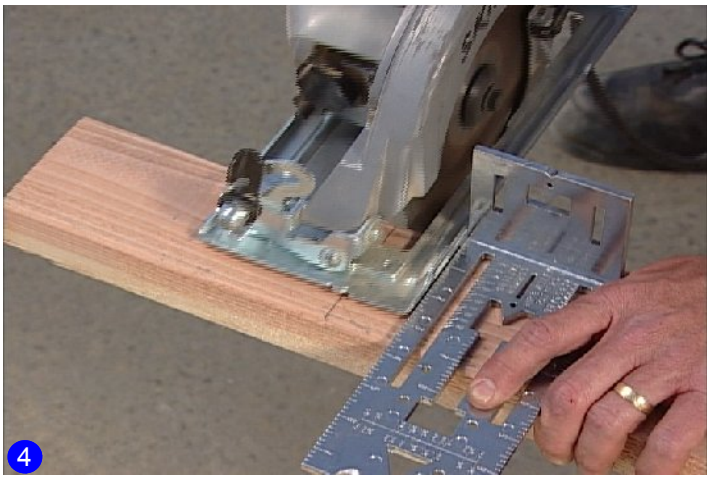
Place tool flush against board. Make cut mark.



Make second mark at the 1 1/2 cutout.



Move edge of tool to the second mark.

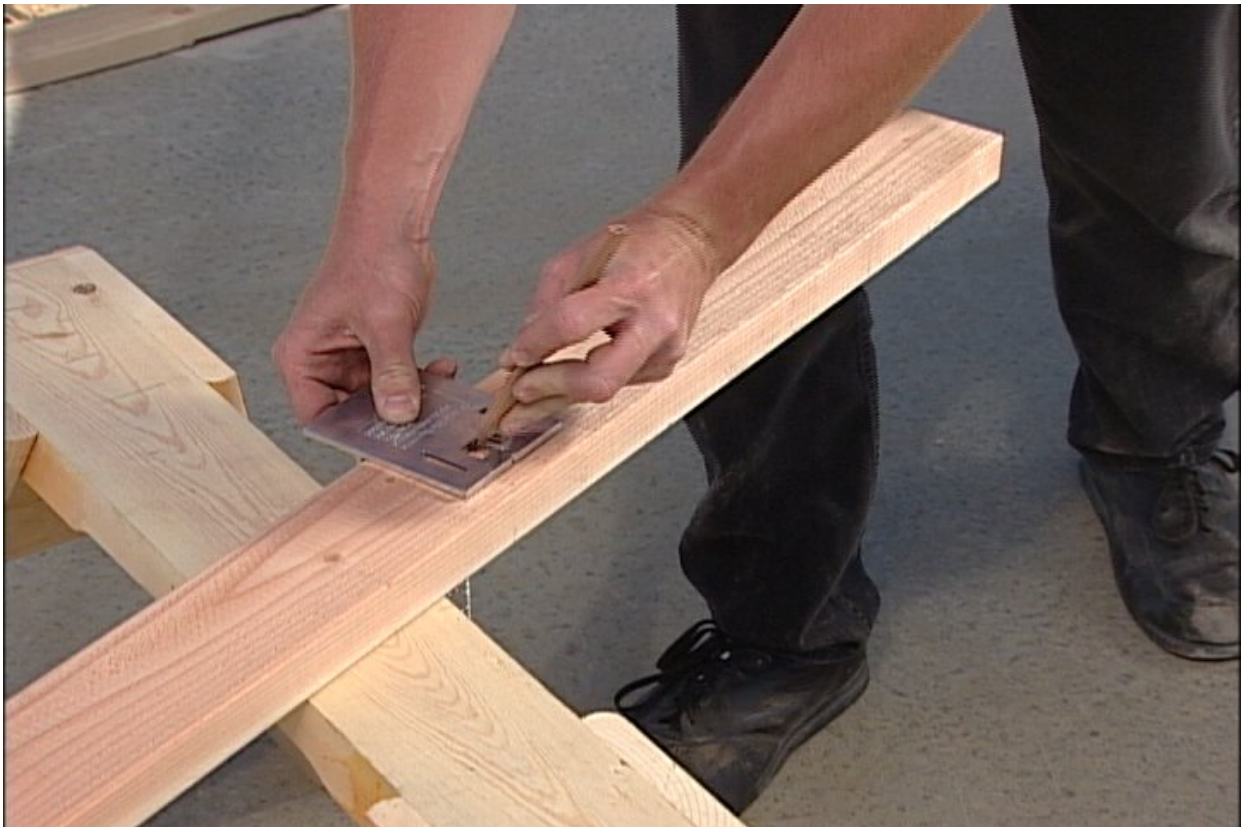
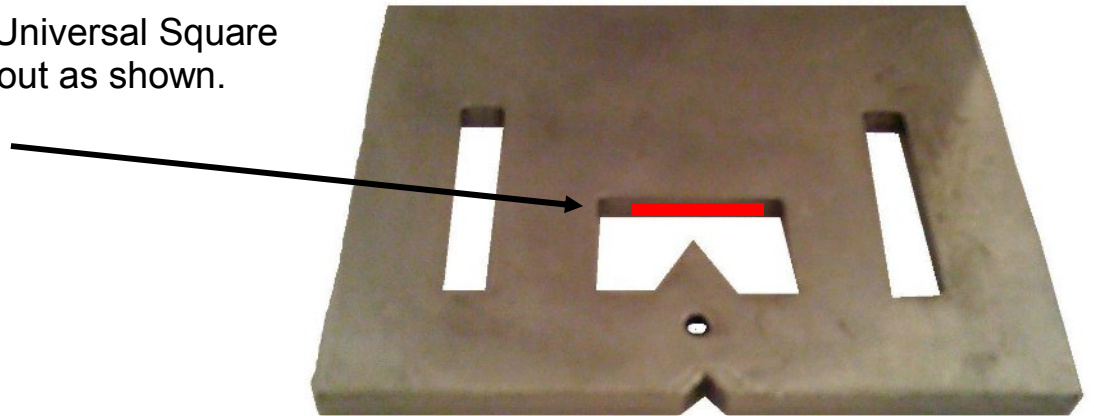


Place circular saw against the Universal Square and make a straight cut.



Ripping 2x4 in Half

Face the bottom of the Universal Square upward. Locate the cutout as shown.



Place the tool flush against the 2x4. Place pencil at cutout and mark by moving the tool and pencil along board

Marking around 4x4/Corners



Place the Universal Square flush against the 4x4. Make marks. Rotate board. Line up tool with previous marks. Complete the marks.



Tape Measure Assistance.



Example: 16" on center marks
According to your plan, measure and make first 16" on center mark.



Place tool flush against board. Line up tool's center with previous mark. Tap a nail into the tool's center hole.



Place tape measure in the slot.



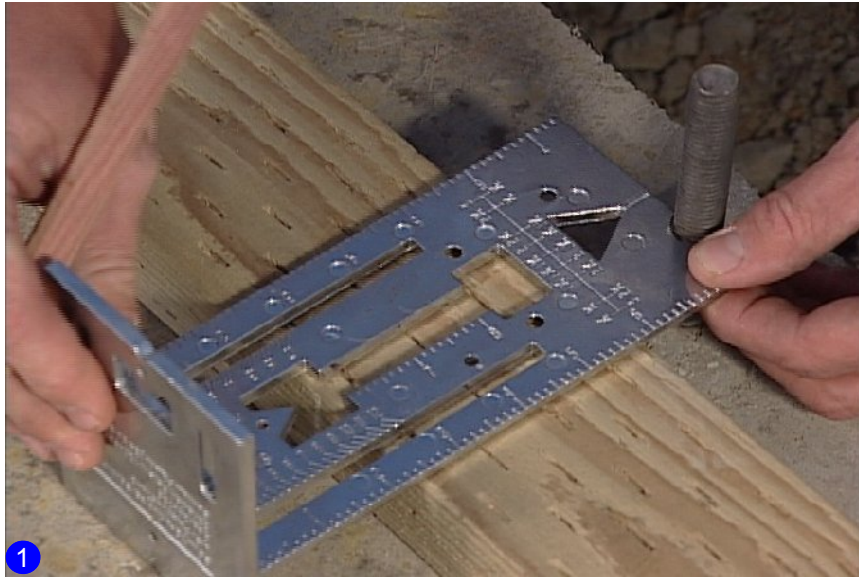
As the Universal Square holds one end of the tape measure, measure and mark for 16" on center.



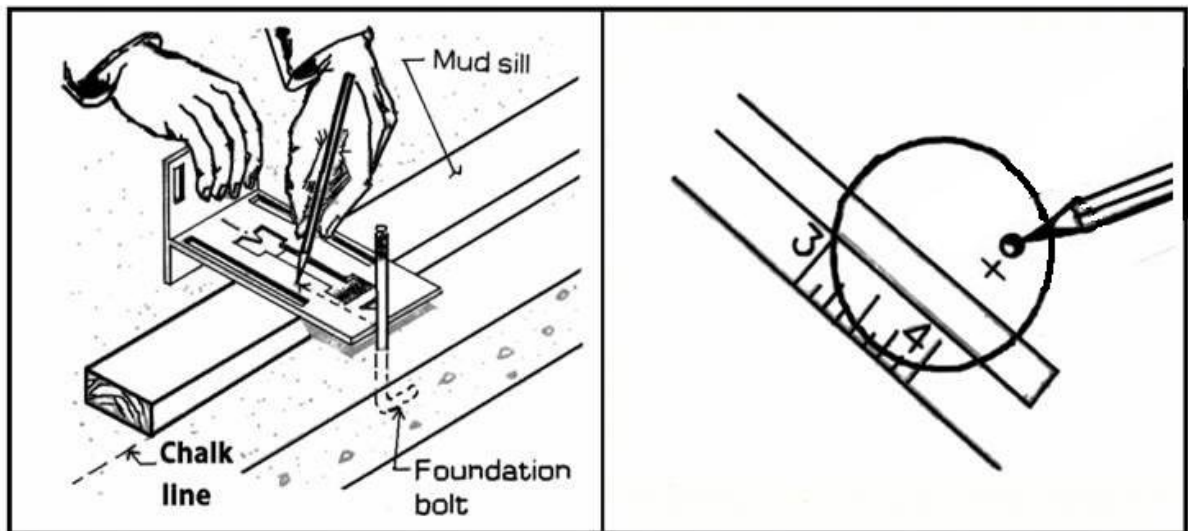
Remove nail and tape measure. Complete by lining up tool with previous marks, then marking both top and bottom plate.



Mark for Anchor Bolt (2x4)



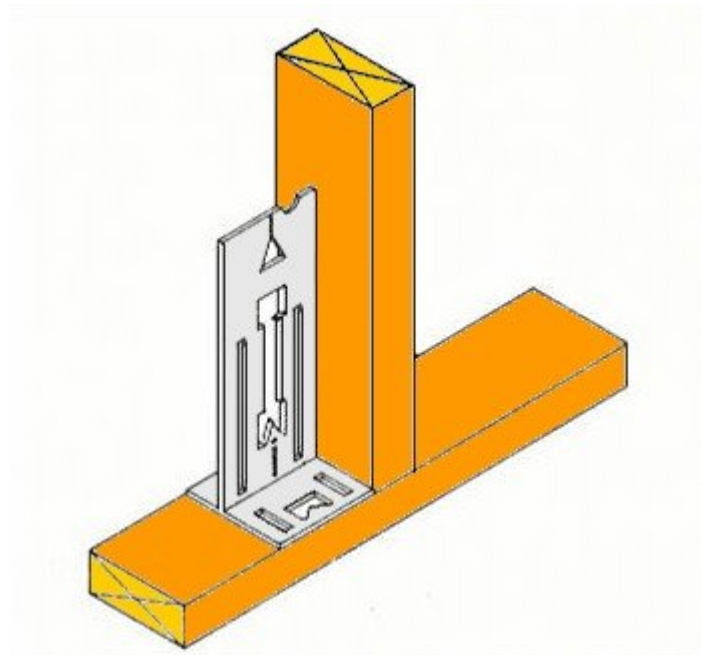
Transfer the anchor bolt locations to sill plate by placing the half moon shape at the tip of the tool to the bolt...



... then mark at the hole marked {+}; with out using a tape measure.



Square Windows And Doors



2x4 Corner Foundation



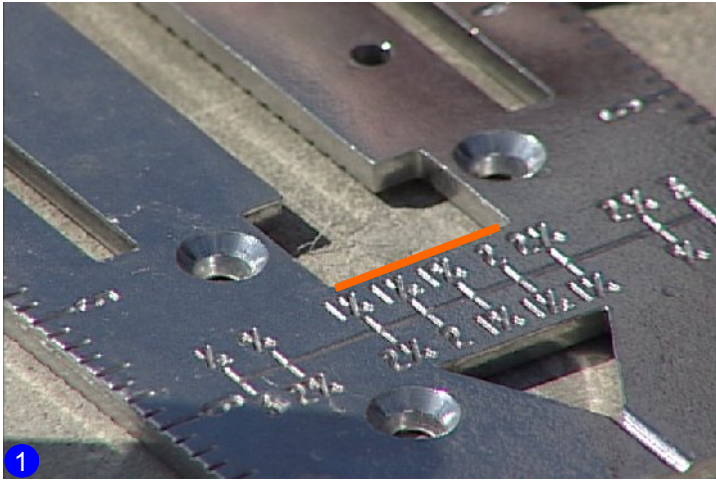
Line up the Universal Square with the corner edge of the foundation then make mark.



Move tool and mark accordingly.



2x6 Corner Foundation



Place the Universal Square near the corner edge of the foundation. Locate cutout at 5 1/2"



Make mark at 5 1/2"



Move the tool to opposite corner edge of the foundation. Line up the tool with previous mark.



Complete the first mark by marking along side of tool.

2x6 Corner Foundation



Locate cutout at 5 1/2". Make mark.



Line up tool with previous mark.



Complete the second mark by marking along the tool's ruler edge.



2x8 Corner Foundation



1 Place the Universal Square near the corner edge of the foundation. Mark at 7 1/2".



2 Move the tool to opposite corner edge of the foundation. Line up the tool with previous mark. Make mark along the tool's ruler edge.



3 Mark at 7 1/2".



4 Move the tool to opposite corner edge of the foundation. Line up the tool with previous mark. Make mark along the tool's ruler edge.



5

2x4 Center Markings



Locate center mark



Line up center of tool with center mark.



Make marks on both sides of tool.



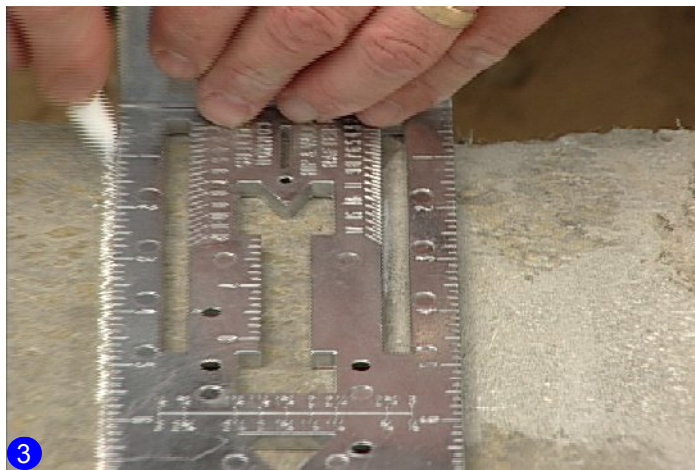
2x6 Center Markings



Locate center mark.



Line up tool at the 3/4 cutout with the center mark.



Mark the opposite side of the Universal Square.



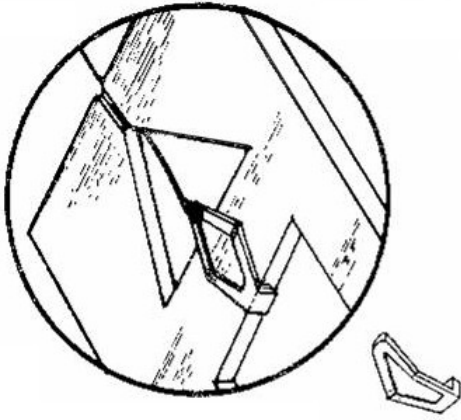
Line up tool at the 3/4 cutout with the center mark on the opposite side.



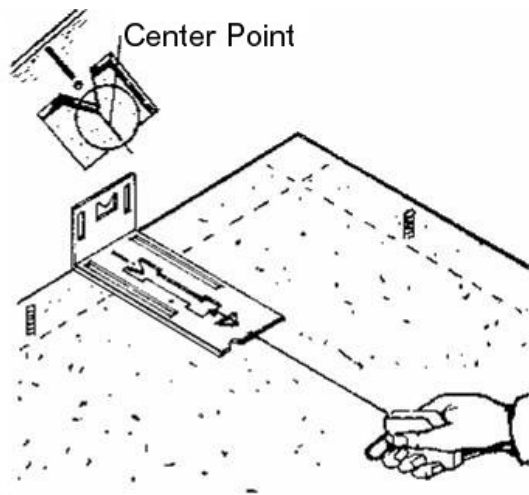
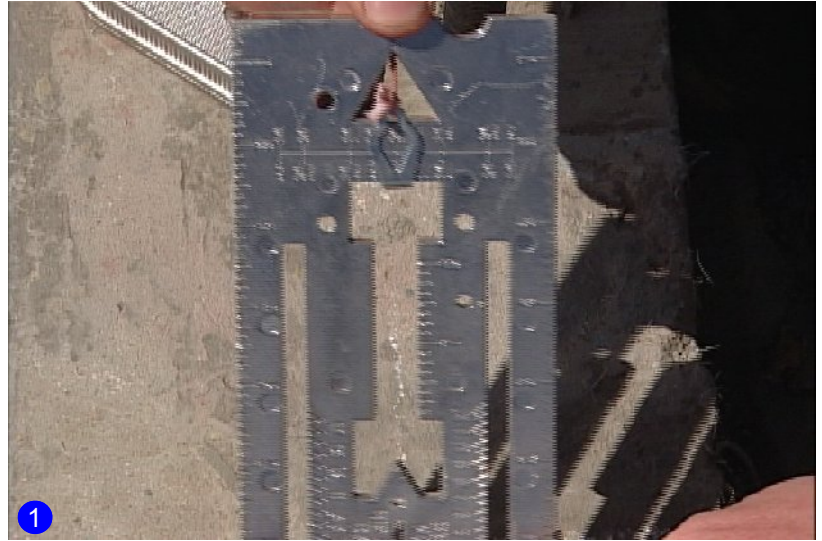
Mark the opposite side of the Universal Square.



Snapping Chalk Line without assistance



Insert chalkline thru triangle window and hook chalkline on tool as shown, to assure a good hold bend tip.



Then line up the center point of the tool with the mark, then pull and snap.



Various ways to mark stud locations, middle partition and corner walls.



Stack top and sole plates



Stand top and sole plates

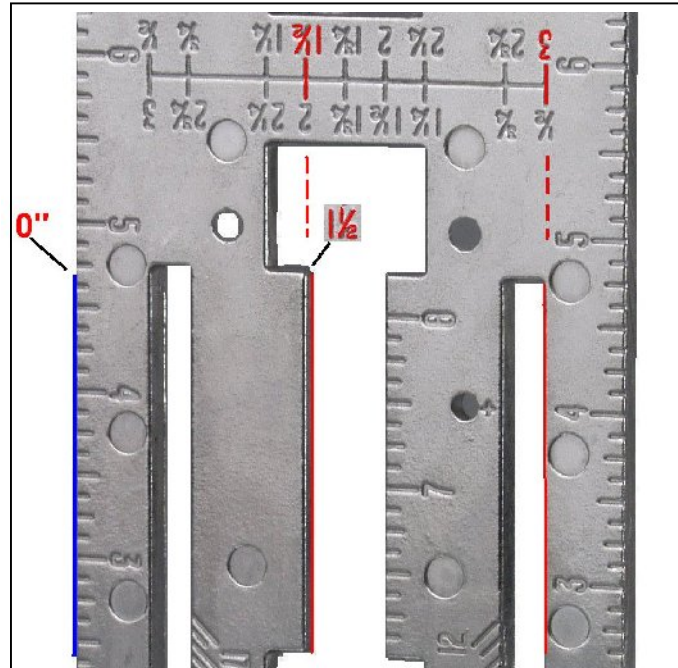


With sole plate in place over foundation bolt, tack top plate on the side of slab with nails.



With two 2x4's side by side, mark top and sole plate in this position.

2x4 Corner Stud Marking



Note: Cut out at 1 1/2" and 3"



2x4 Three stud corners are easily laid out by placing the layout tool on the corner of the top and sole plates then mark as shown.



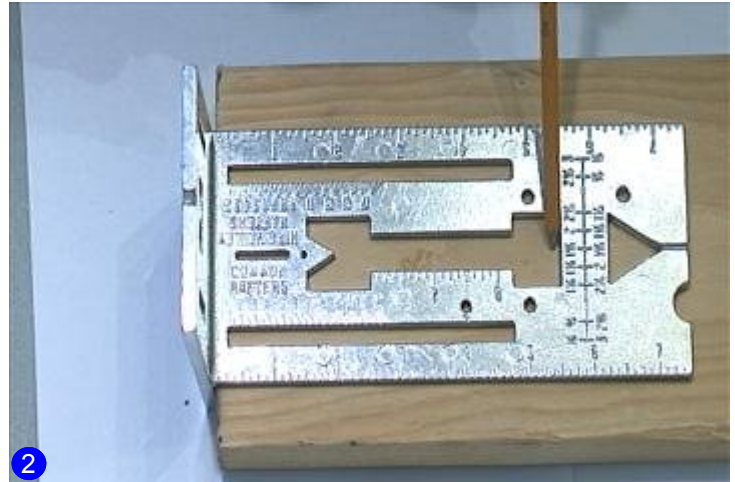
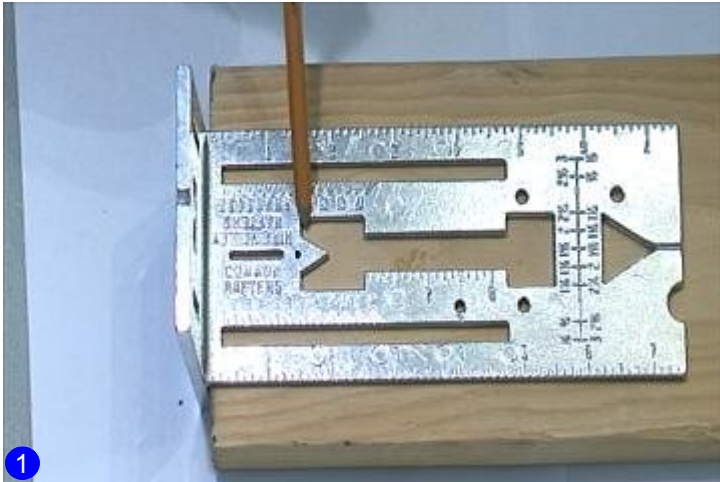
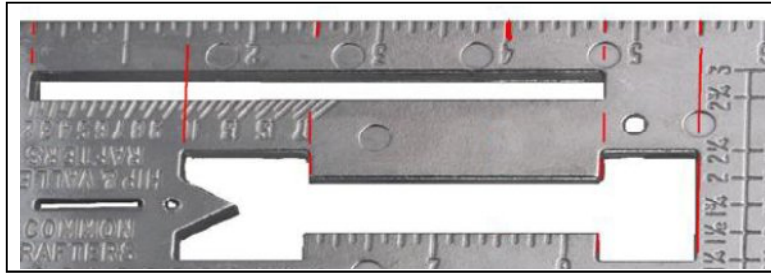
2x4 Corner Stud Marking



Line up the Universal Square's ruler edge with first mark and complete it.



2x6 Corner Stud



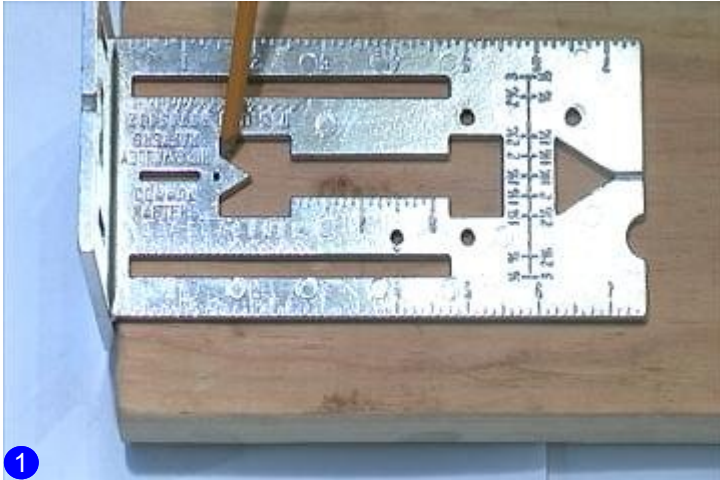
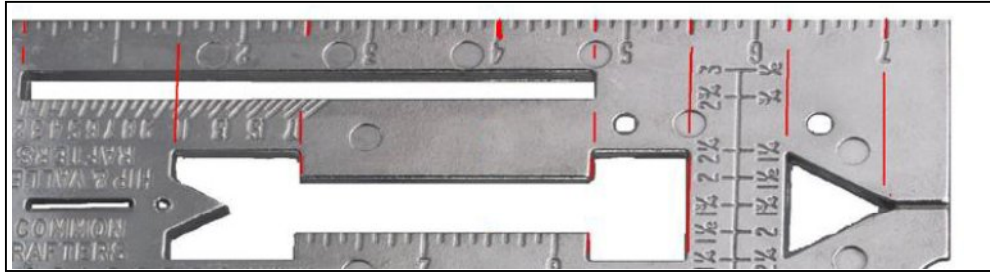
Place the layout tool against the edge of the 2x6.
Make reference marks at the 1 1/2 and 5 1/2 cutout as shown.



Line up the Universal Square's ruler edge with reference marks and complete the lines.



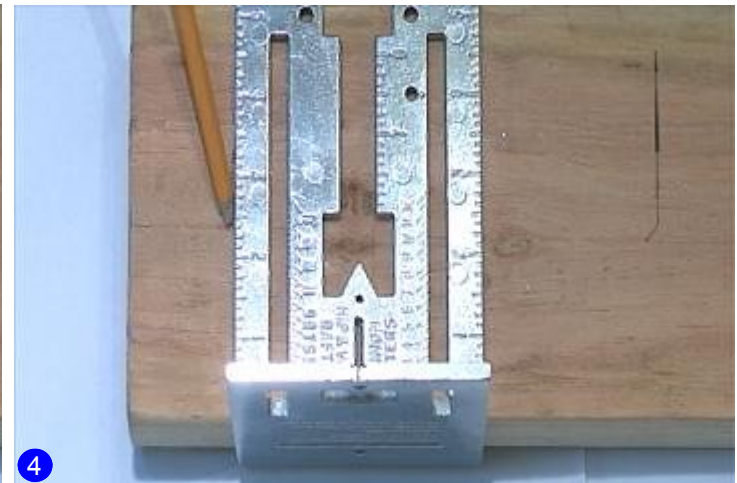
2x8 Corner Stud



1

2

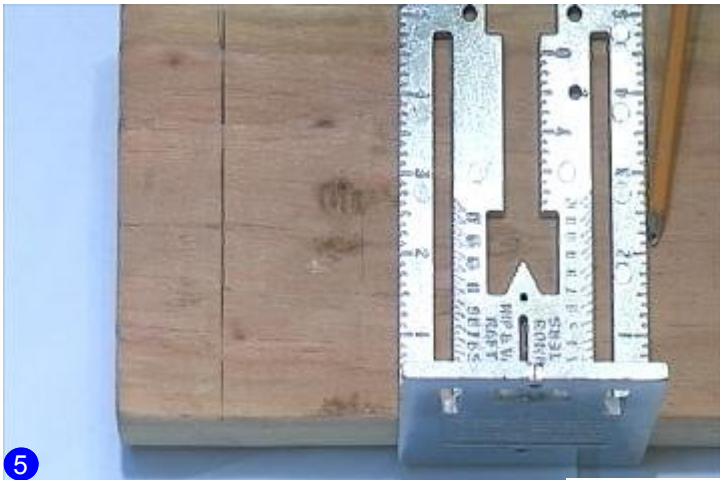
Place the lay out tool against the edge of the 2x8.
Make reference marks at the 1 1/2 cutout and 7 1/2 edge as shown.



3

4

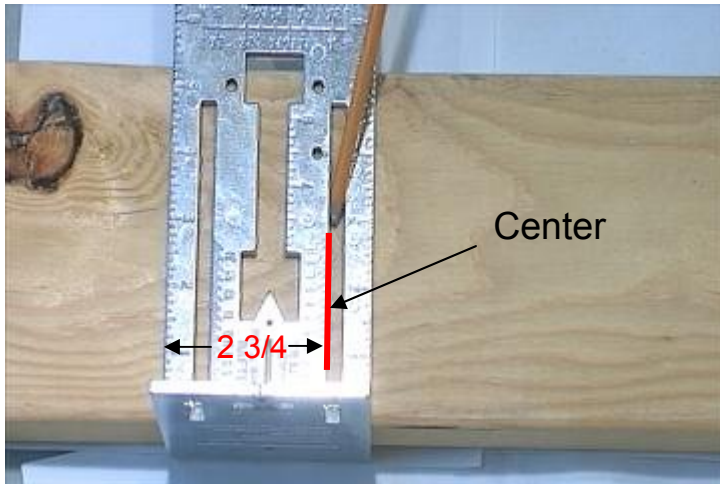
Line up the Universal Square's ruler edge with references marks and complete the lines.



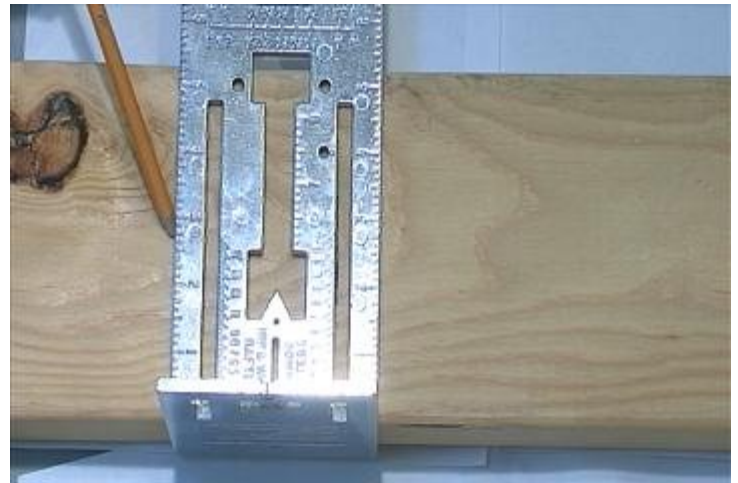
5

6

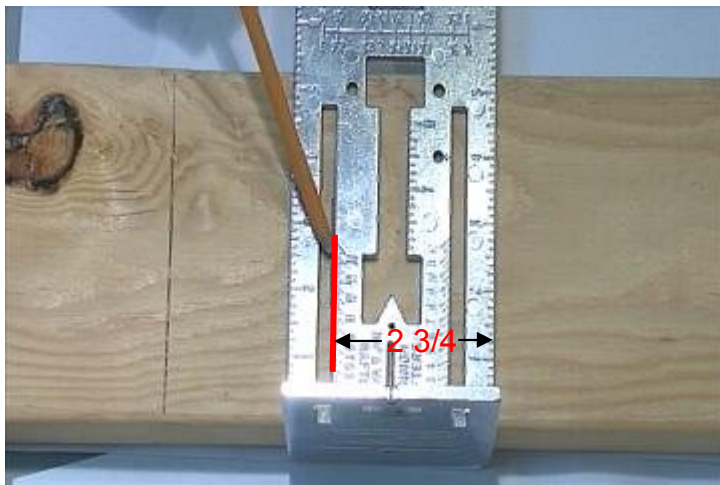
2x6 Middle Partition



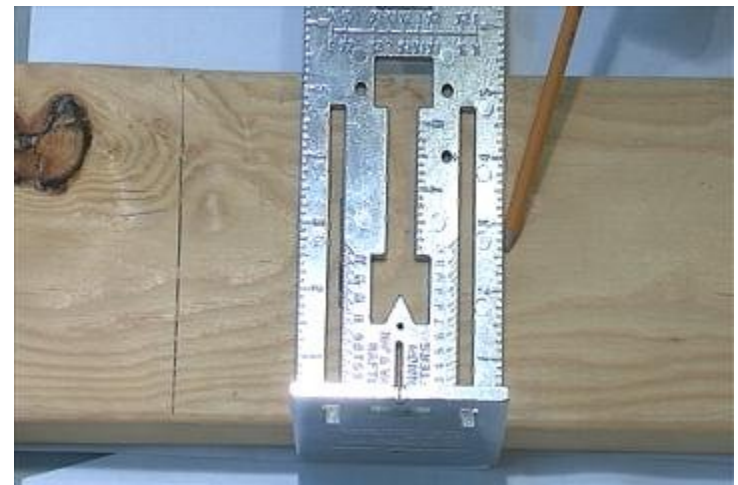
Line up tool cutout at $2 \frac{3}{4}$ with center mark....



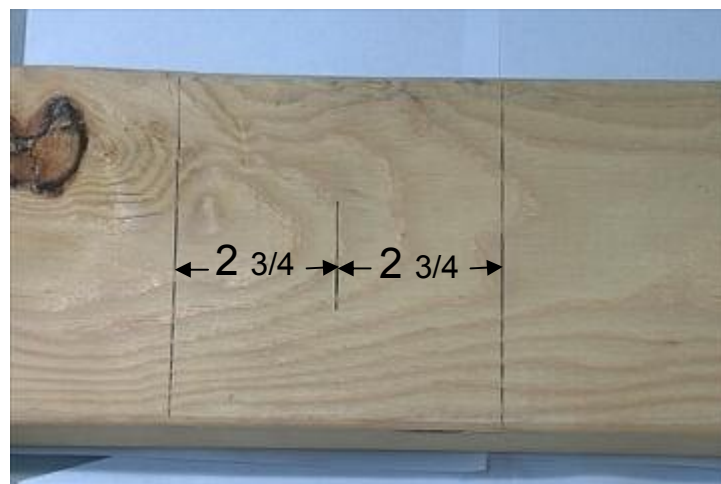
...mark along ruler edge.



Duplicate the same procedure to opposite side.
Line up tool cutout at $2 \frac{3}{4}$ with center mark....

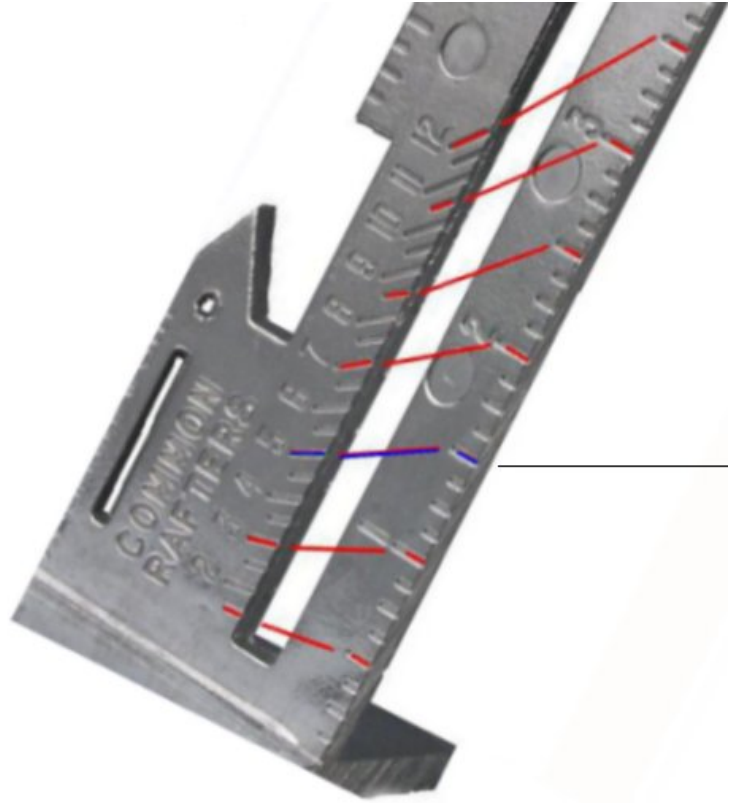
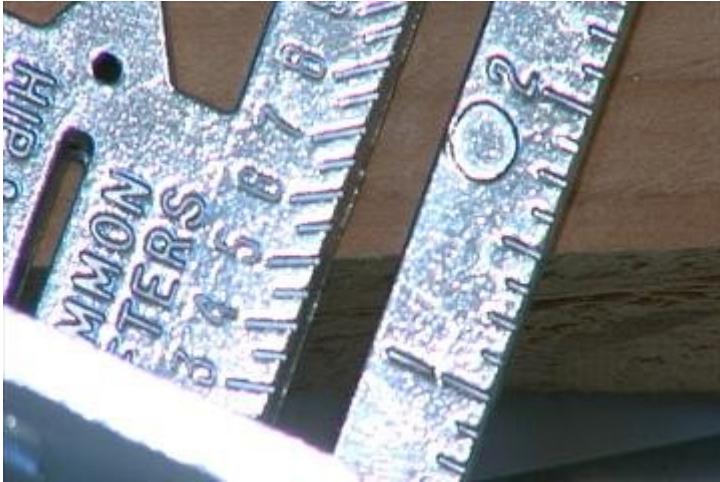


...mark along ruler edge.



Common Rafter Example 5-12 pitch

Lay the tool flush against board. Locate the 5 pitch angle hash mark then pivot tool until the angle mark lines up with edge of board.

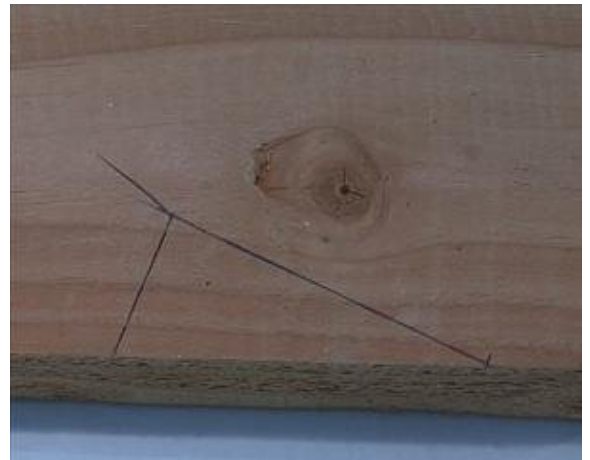


Notice that the ruler hash mark at 1 1/2" is in direct path of the 5 pitch angle hash mark. Make a reference mark.

Common Rafter Example 5-12 pitch



Use the ruler on the opposite side to draw a line from the edge of the board to 1 1/2”.

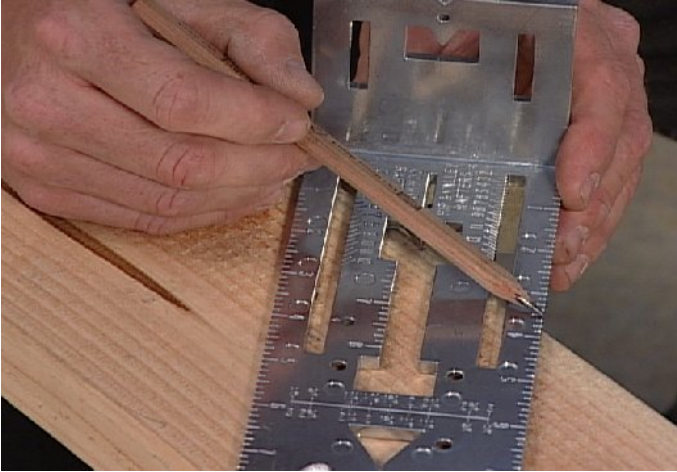


Pivot the Universal Square, then line up both marks and draw a line to connect the marks.

For **Hip and Valley Rafters** use the same procedure (5 and 17 pitch) to the opposite side.

Various Angles (example 45 degree)

Start with the Universal Square flush against board.



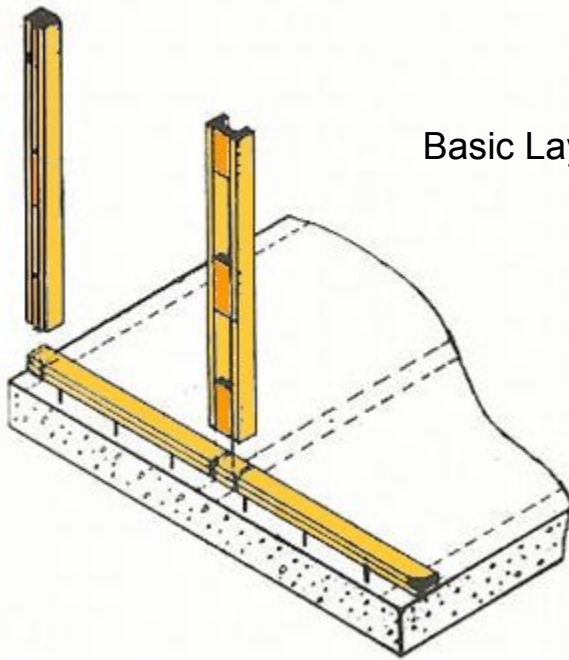
Pivot the tool, lining up the 45 degree hash mark with the edge of the board,



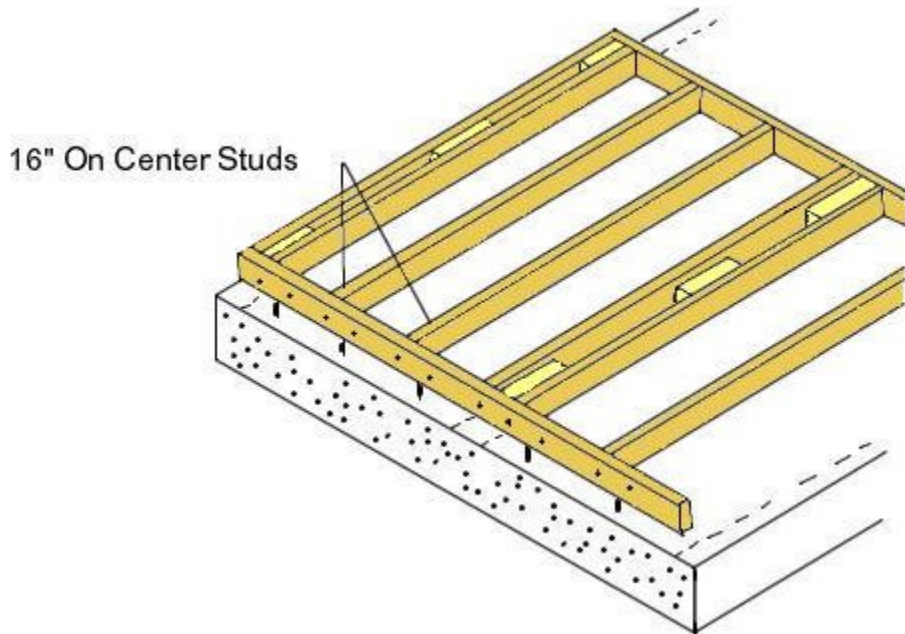
...then make your mark.

(Notice that the 45 degree hash mark is in line with the 3 1/2 ruler mark. The 45 can be achieved on the opposite/any side of the tool by lining up the 3 1/2 ruler hash with the edge of the board.

Illustrations



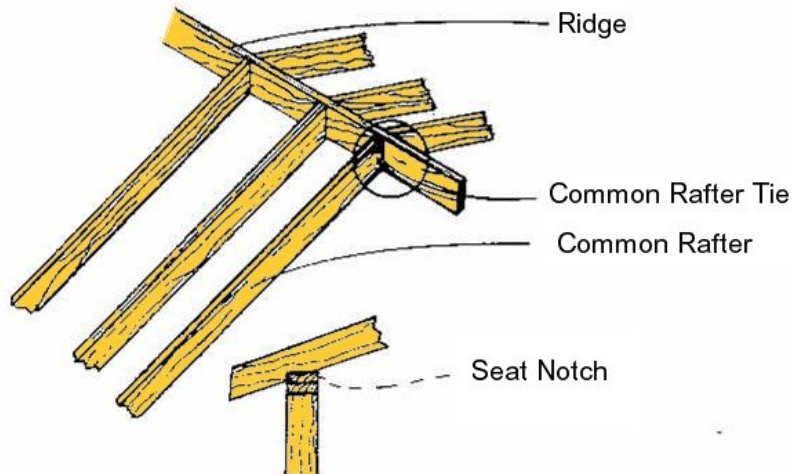
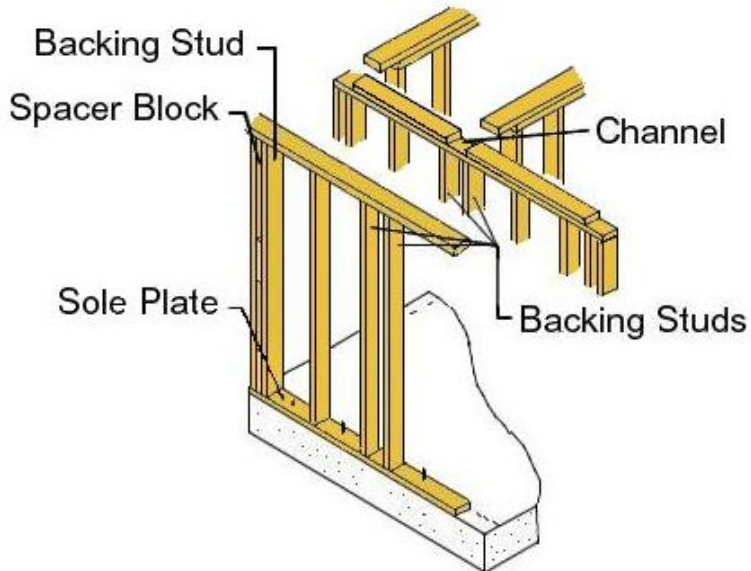
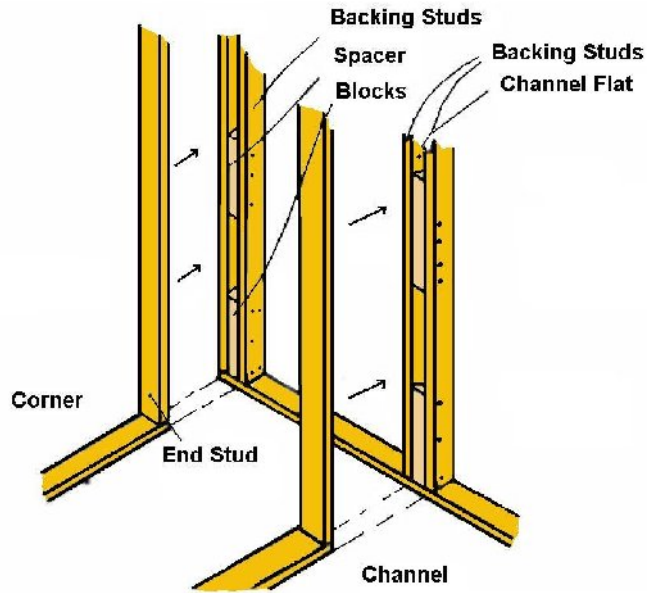
Basic Layout for middle and corner walls



16" On Center Studs

After marking top and sole plates, separate the plates then line up and nail studs as marked on plates.

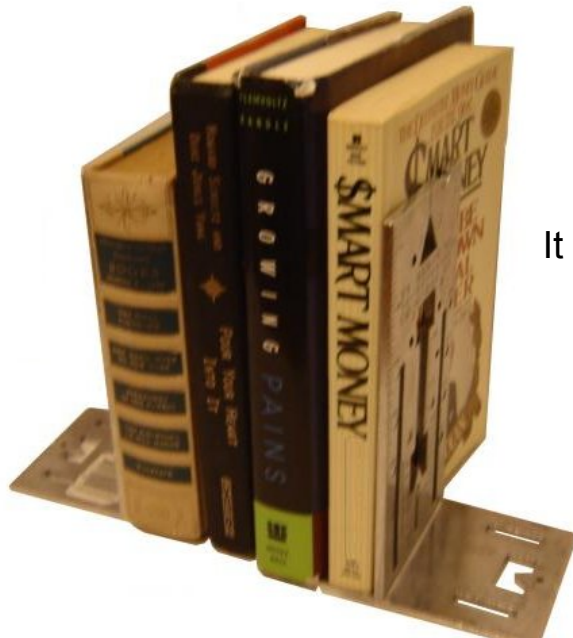
Illustrations



Other Uses (Fences and Decks)



The Universal Square can be used as a Spacer and more.



It can also be used as bookends.

How to carry the Universal Square.

Pouch assessor Add-On

(D-Unique Tools has a Limited stock of the leather pouch assessor add-on strap.)





D-Unique Tools
P.O. Box 2112
Oakland, CA 94621

Website: duniquetools.com
support@duniquetools.com

