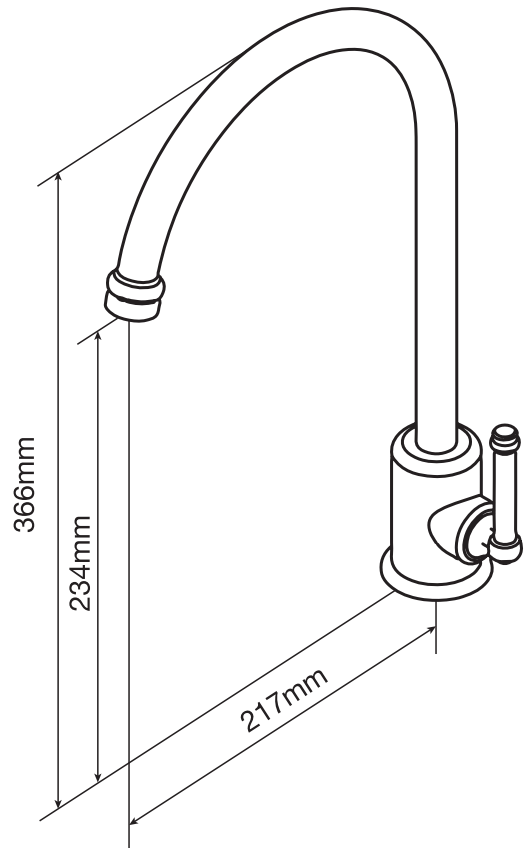


# FEDERATION | F9410

Specifications  
gooseneck sink mixer

# OXFORD & NELSON



## Features

|                 |   |
|-----------------|---|
| Recommended Use | Domestic, Commercial, Hotel   |
| Material        | Brass Body  |
| Handle          | Lever Handle, Porcelain Lever Handle  |
| Tap Outlet      | Fixed, Swivel and English   |
| Finishes        | Satin Chrome, Nickel, Brushed Nickel, Gold, Brass Gold N18, Brushed Gold N18, Rose Gold, Brushed Rose Gold, Matt Black, Black Sapphire, Brushed Black Sapphire, Gunmetal, Satin Pearl, Copper, Antique Copper |
| Dimensions      | 336W x 217D x 234H mm x 70Ø mm Flange   |
| Standards       | AS/NZS 3718   |
| WELS Rating     | Flow Rate: 6L/min, Stars: 5   |



### Disclaimer:

Products in this specification manual must by regulation be installed by licensed and registered trade people. Under our commitment to product development and improvement, we may change product specifications and dimensions or delete models from the range without prior notification. Dimensions and set-outs listed are correct at time of publication and could contain dimensions which are approximate due to tolerances in manufacturing processes. It is important that you thoroughly review the product and check specifications and dimensions prior to surface preparation, cut-out and installation.

*During the installation of the product by a qualified trained personnel, make sure that the entire fastening surface is even and smooth (no protruding seams or tile offset), that the finish of the wall is suitable to apply the product and has no weak points. It is recommended that all accessories are secured to timber studs.*

# BASTOW™

---

## Cleaning Instructions

---

We recommend the use of soapy water or approved cleaners.

This product should not be cleaned with abrasive materials.

Damage caused by any improper treatment is not covered by the product warranty - refer to our Warranty Conditions.

---

## Specifications

---

|                                 |   |
|---------------------------------|---|
| <b>Pressure Rating</b>          | As per AS/NZS3500 pressure must be limited to 500kPa on any new home, extension or renovation.<br><br>For best performance and longer life we recommend 150-500kPa.<br><br>Hot and cold water inlet pressure should be equal. |
| <b>Temperature Rating</b>       | 80°C maximum continuous working temperature   |
| <b>Suitable Hot Water Units</b> | Storage Tank - Yes<br>Continuous Flow - Yes<br>Gravity Feed - Not suitable  |

---

## For the Plumber

---

Check 1. All work should be carried out by a licensed plumber. Responsibility will not be accepted by Tribata for incorrect installation of this tapware, or any tapware not installed by a Registered Plumber.

Check 2. The water supply lines need to be 'flushed out' prior to installation. This will avoid any foreign materials blocking the flow regulator, damaging the cartridge/valve and reducing the flow of water.

Check 3. Ensure all connections are tight.

Check 4. Turn on the main water supply and check for leaks.

**Plumbers, please ensure a copy of the installation instructions is left with the end user for future reference**

### Disclaimer:

Products in this specification manual must by regulation be installed by licensed and registered trade people. Under our commitment to product development and improvement, we may change product specifications and dimensions or delete models from the range without prior notification. Dimensions and set-outs listed are correct at time of publication and could contain dimensions which are approximate due to tolerances in manufacturing processes. It is important that you thoroughly review the product and check specifications and dimensions prior to surface preparation, cut-out and installation.

*During the installation of the product by a qualified trained personnel, make sure that the entire fastening surface is even and smooth (no protruding seams or tile offset), that the finish of the wall is suitable to apply the product and has no weak points. It is recommended that all accessories are secured to timber studs.*

---

## Installation Instructions

---

**IMPORTANT INFORMATION, please read before starting installation.**

**CHECK 1**

For packaging purposes, this tapware may come partially assembled.

**CHECK 2**

Before installation, please ensure that you have checked the assembly of all components and joints.

**CHECK 3**

Always use plumbers tape or a recommended sealing compound on all threaded joints.

**CHECK 4**

Please pressure test the tapware prior to installation using recommended testing equipment.

**CHECK 5**

The installer is responsible for selecting the correct fittings and that the distances are correct before installation.

### Plumber Instructions

**Note: Installation should only be carried out by a licensed plumber. Tribata do not accept any responsibility of incorrect installation if not installed by a registered plumber.**

**Note: Foreign materials can block the flow regulator, damage the valve and reduce water flow. Please flush the supply lines prior to installation.**

## INSTALLATION

### BASINS AND SINKS

1. Place the spout assembly into the centre hole of the basin, and securely mount from beneath.
2. Take the taps and remove the handle and flange. Trim the breaching piece if required, and assemble with the tap bodies.
3. Push the tap bodies through the underside of the sink, and then reattach the handle and flange.
4. Connect both water supplies, ensure connections are tight, turn on water and check for leaks.

### WALL INSTALLATION

1. Place the spout assembly into the wall outlet
2. Install the stuffing box assembly, and connect to the correct water supply.
3. Tighten all connections, turn on the water and check for leaks.

### HOB INSTALLATION

1. Place the spout assembly into the hob outlet
2. Install the stuffing box assembly, and connect to the correct water supply.
3. Tighten all connections, turn on the water and check for leaks.

### SINGLE INLET

1. Connect the tap assembly to the outlet
2. Tighten all connections, turn on the water and check for leaks.

### Disclaimer:

Products in this specification manual must by regulation be installed by licensed and registered trade people. Under our commitment to product development and improvement, we may change product specifications and dimensions or delete models from the range without prior notification. Dimensions and set-outs listed are correct at time of publication and could contain dimensions which are approximate due to tolerances in manufacturing processes. It is important that you thoroughly review the product and check specifications and dimensions prior to surface preparation, cut-out and installation.

*During the installation of the product by a qualified trained personnel, make sure that the entire fastening surface is even and smooth (no protruding seams or tile offset), that the finish of the wall is suitable to apply the product and has no weak points. It is recommended that all accessories are secured to timber studs.*