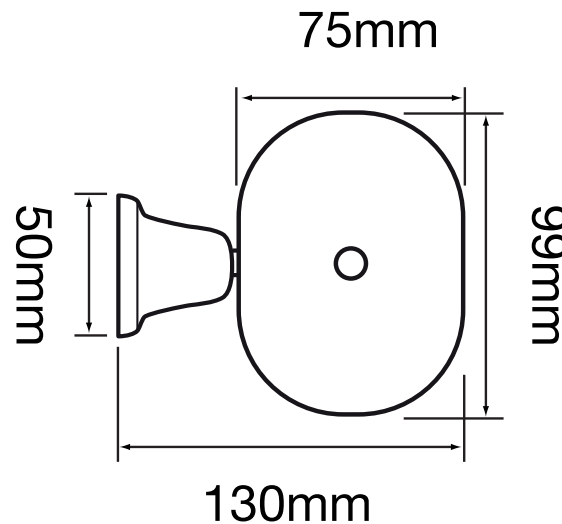


FEDERATION | F9116 Specifications

soap dish

OXFORD & NELSON



Features

| | |
|------------------------|---|
| Recommended Use | Domestic, Commercial, Hotel |
| Material | Brass Body |
| Finishes | Satin Chrome, Nickel, Brushed Nickel, Gold, Brass Gold N18, Brushed Gold N18, Rose Gold, Brushed Rose Gold, Matt Black, Black Sapphire, Brushed Black Sapphire, Gunmetal, Satin Pearl, Copper, Antique Copper |
| Dimensions | 99W x 130D x 75D (soap dish) x 50Ø mm Flange |

Disclaimer:

Products in this specification manual must by regulation be installed by licensed and registered trade people. Under our commitment to product development and improvement, we may change product specifications and dimensions or delete models from the range without prior notification. Dimensions and set-outs listed are correct at time of publication and could contain dimensions which are approximate due to tolerances in manufacturing processes. It is important that you thoroughly review the product and check specifications and dimensions prior to surface preparation, cut-out and installation.

During the installation of the product by a qualified trained personnel, make sure that the entire fastening surface is even and smooth (no protruding seams or tile offset), that the finish of the wall is suitable to apply the product and has no weak points. It is recommended that all accessories are secured to timber studs.

BASTOW™

Cleaning Instructions

We recommend the use of soapy water or approved cleaners.

This product should not be cleaned with abrasive materials.

Damage caused by any improper treatment is not covered by the product warranty - refer to our Warranty Conditions.

Disclaimer:

Products in this specification manual must by regulation be installed by licensed and registered trade people. Under our commitment to product development and improvement, we may change product specifications and dimensions or delete models from the range without prior notification. Dimensions and set-outs listed are correct at time of publication and could contain dimensions which are approximate due to tolerances in manufacturing processes. It is important that you thoroughly review the product and check specifications and dimensions prior to surface preparation, cut-out and installation.

During the installation of the product by a qualified trained personnel, make sure that the entire fastening surface is even and smooth (no protruding seams or tile offset), that the finish of the wall is suitable to apply the product and has no weak points. It is recommended that all accessories are secured to timber studs.