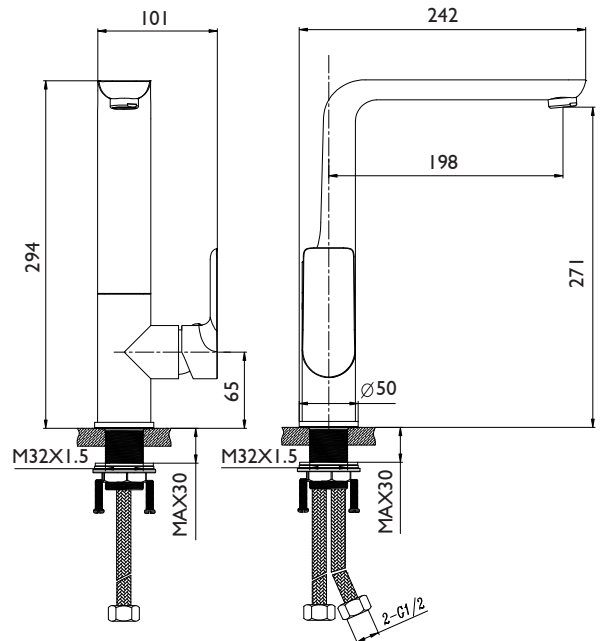


730 SERIES | 73005 Specifications

sink mixer

OXFORD & NELSON



Features

Recommended Use	Domestic, Commercial, Hotel
Material	Brass Body
Finishes	Chrome, Matte Black
Dimensions	294W x 198D x 271H mm x 50Ø mm Flange
Standards	AS/NZS 3718
WELS Rating	Flow Rate: 5.5L/min, Stars: 5



Disclaimer:

Products in this specification manual must by regulation be installed by licensed and registered trade people. Under our commitment to product development and improvement, we may change product specifications and dimensions or delete models from the range without prior notification. Dimensions and set-outs listed are correct at time of publication and could contain dimensions which are approximate due to tolerances in manufacturing processes. It is important that you thoroughly review the product and check specifications and dimensions prior to surface preparation, cut-out and installation.

During the installation of the product by a qualified trained personnel, make sure that the entire fastening surface is even and smooth (no protruding seams or tile offset), that the finish of the wall is suitable to apply the product and has no weak points. It is recommended that all accessories are secured to timber studs.

730 SERIES | 73005

sink mixer Specifications

**OXFORD &
NELSON**

Cleaning Instructions

We recommend the use of soapy water or approved cleaners.

This product should not be cleaned with abrasive materials.

Damage caused by any improper treatment is not covered by the product warranty - refer to our Warranty Conditions.

Specifications

Pressure Rating	As per AS/NZS3500 pressure must be limited to 500kPa on any new home, extension or renovation. For best performance and longer life we recommend 150-500kPa. Hot and cold water inlet pressure should be equal.
Temperature Rating	55°C maximum continuous working temperature
Suitable Hot Water Units	Storage Tank - Yes Continuous Flow - Yes Gravity Feed - Not suitable

For the Plumber

Check 1. All work should be carried out by a licensed plumber. Responsibility will not be accepted by Tribata for incorrect installation of this tapware, or any tapware not installed by a Registered Plumber.

Check 2. The water supply lines need to be 'flushed out' prior to installation. This will avoid any foreign materials blocking the flow regulator, damaging the cartridge/valve and reducing the flow of water.

Check 3. Ensure all connections are tight.

Check 4. Turn on the main water supply and check for leaks.

Plumbers, please ensure a copy of the installation instructions is left with the end user for future reference

Disclaimer:

Products in this specification manual must by regulation be installed by licensed and registered trade people. Under our commitment to product development and improvement, we may change product specifications and dimensions or delete models from the range without prior notification. Dimensions and set-outs listed are correct at time of publication and could contain dimensions which are approximate due to tolerances in manufacturing processes. It is important that you thoroughly review the product and check specifications and dimensions prior to surface preparation, cut-out and installation.

During the installation of the product by a qualified trained personnel, make sure that the entire fastening surface is even and smooth (no protruding seams or tile offset), that the finish of the wall is suitable to apply the product and has no weak points. It is recommended that all accessories are secured to timber studs.



Installation Instructions

IMPORTANT INFORMATION, please read before starting installation.

CHECK 1

For packaging purposes, this tapware may come partially assembled.

CHECK 2

Before installation, please ensure that you have checked the assembly of all components and joints.

CHECK 3

Always use plumbers tape or a recommended sealing compound on all threaded joints.

CHECK 4

Please pressure test the tapware prior to installation using recommended testing equipment.

CHECK 5

The installer is responsible for selecting the correct fittings and that the distances are correct before installation.

Plumber Instructions

Note: Installation should only be carried out by a licensed plumber. Oxford & Nelson do not accept any responsibility of incorrect installation if not installed by a registered plumber.

Note: Foreign materials can block the flow regulator, damage the valve and reduce water flow. Please flush the supply lines prior to installation.

INSTALLATION

1. Place O Ring Washer over the hole in basin/kitchen where the mixer is to be installed.
2. Fit the mixer body onto the basin/kitchen hole.
3. Place the rubber gasket washer on top of the steel gasket plate and fit it onto the mounting bolt using the mounting nut to tighten up the mixer from the underneath of the basin/kitchen.
4. Install the flexible hoses now and ensure the flexible hoses are hand tightened tightened into place (DO NOT USE SPANNER TO TIGHTEN AS IT CAN DAMAGE O RING). The flexible hoses are to be fitted into the correct inlets for hot water and for cold water (Red band for hot and blue band for cold).
5. It is important to flush out the supply pipes before installing the mixer and connecting the flexible hoses to hot/cold water supply, regardless whether a stop valve and filter has been installed or not. This procedure will stop foreign objects entering the cartridge.

Disclaimer:

Products in this specification manual must by regulation be installed by licensed and registered trade people. Under our commitment to product development and improvement, we may change product specifications and dimensions or delete models from the range without prior notification. Dimensions and set-outs listed are correct at time of publication and could contain dimensions which are approximate due to tolerances in manufacturing processes. It is important that you thoroughly review the product and check specifications and dimensions prior to surface preparation, cut-out and installation.

During the installation of the product by a qualified trained personnel, make sure that the entire fastening surface is even and smooth (no protruding seams or tile offset), that the finish of the wall is suitable to apply the product and has no weak points. It is recommended that all accessories are secured to timber studs.