

SANTOS

Corner Sofa with Rising Table and 3 Stools



Box 1 of 3	Sofa Sections + 3 Stools	Box 2 of 3	Table Base	Box 3 of 3	Table Top
-------------------	--------------------------	-------------------	------------	-------------------	-----------

WHAT'S IN THE BOX

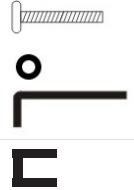
- 1* 3 Seater Sofa with 2 Arms
- 1* 3 Seater Sofa with 1 RHF Arm
- 1* Rising Dining/Coffee Table / Glass
- 3* Stools

CUSHIONS

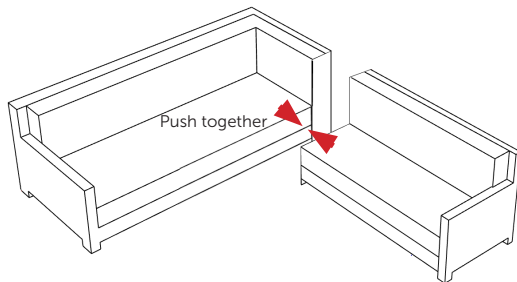
- 6* Back Cushions
- 1* small back Cushion
- 6* Seat Cushions
- 3* Stool Cushions
- Cushions inside the rattan frame

ACCESSORIES

- 4* Bolts M6*40mm
- 4* Washers
- Allen Key
- 1* Connecting clips

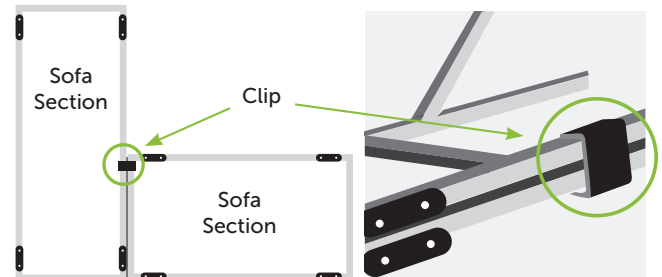


PUSH THE SOFA TOGETHER



Push the two sofa units together and secure the clips underneath the sofa.

CONNECTING CLIPS - Under the sofa



We have additional clips for sale www.clubrattan.co.uk

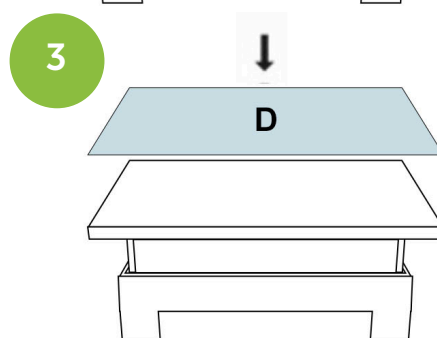
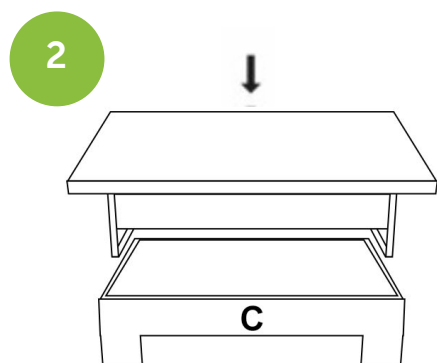
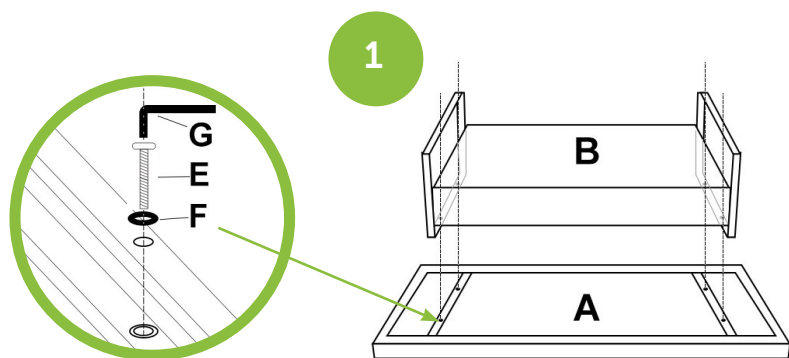
SANTOS Corner Sofa with Rising Table and 3 Stools

Part	Picture	Qty
A	Table Top	1PC
B	Table Top Frame	1PC

Part	Picture	Qty
C	Baseframe	1PC
D	Glass	1PC

Part	Picture	Qty
E	Screw	4PC
F	Washer	4PC

Part	Picture	Qty
G	Bracket	1PC



Cushions should be stored dry when the set is not in use. The life span of your cushions will reduce significantly if they are left exposed to the elements.

Keep your garden set away from sources of extreme heat and naked flames. This includes direct sunlight and firepits.

Please check our website for all your Care Instruction.

Leave us a review