

# ISOBELLA

Corner Sofa with Dining Table



<b>Box 1 of 3</b>	2 x Corner Section	<b>Box 2 of 3</b>	1 x Corner Section + Stools	<b>Box 3 of 3</b>	1 x Dining Table
-------------------	--------------------	-------------------	-----------------------------	-------------------	------------------

## WHAT'S IN THE BOX

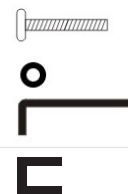
2\* 2 Seater Sofa Section LHF Arm  
 1\* 2 Seater Sofa Section RHF Arm  
 1\* Dining Table / Glass  
 3\* Stool

## CUSHIONS

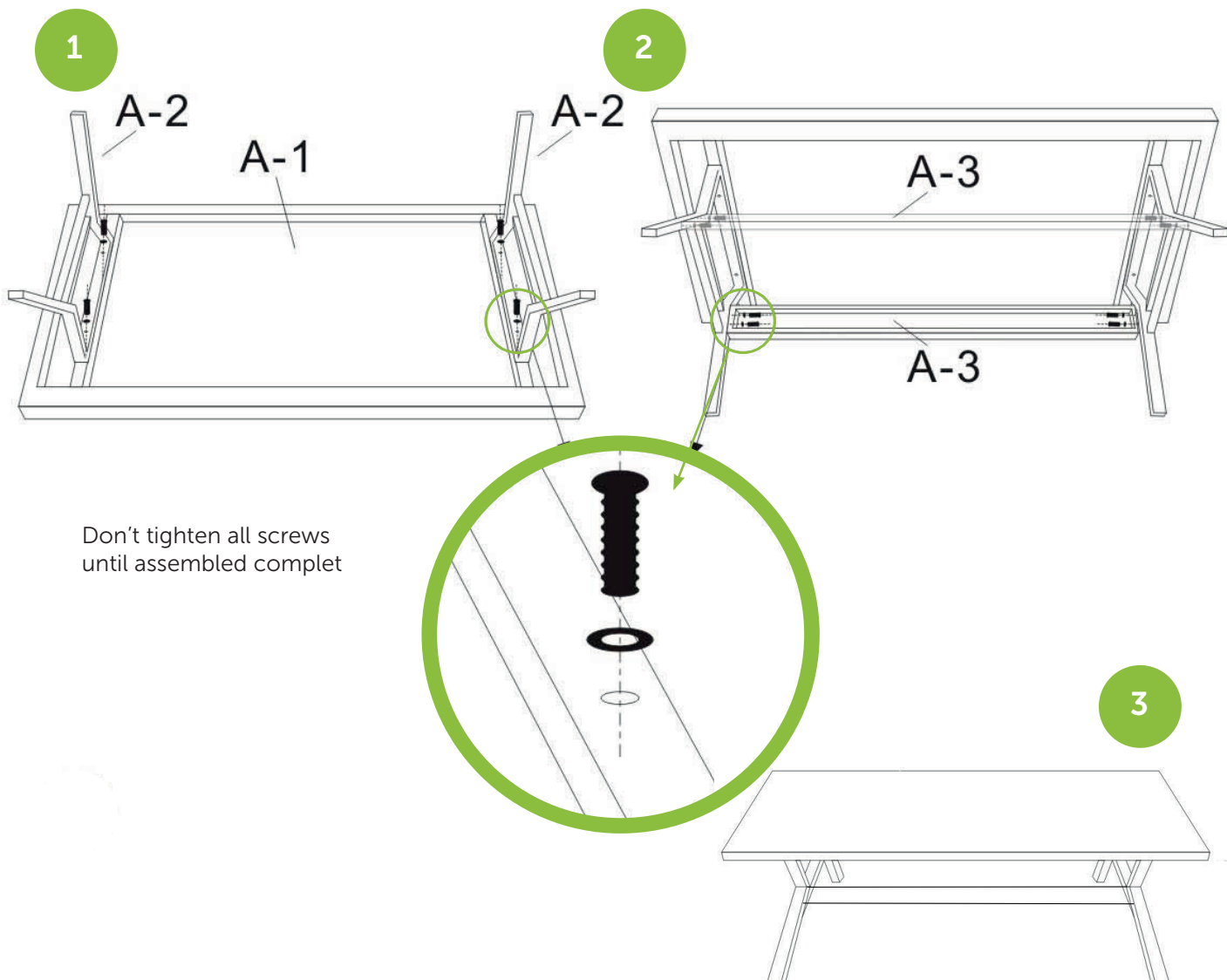
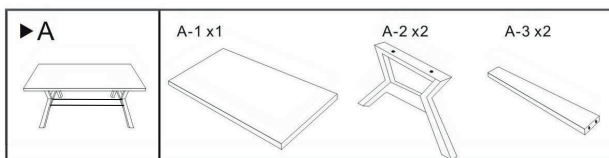
6 x Seat Cushions  
 6 x Large Back Cushions  
 1 x Small Back Cushion  
 3 x Stools Cushions  
 Cushions inside the rattan frame

## ACCESSORIES

12\* Bolts M6\*40mm  
 12\* Washers  
 Allen Key  
 2\* Connecting clips

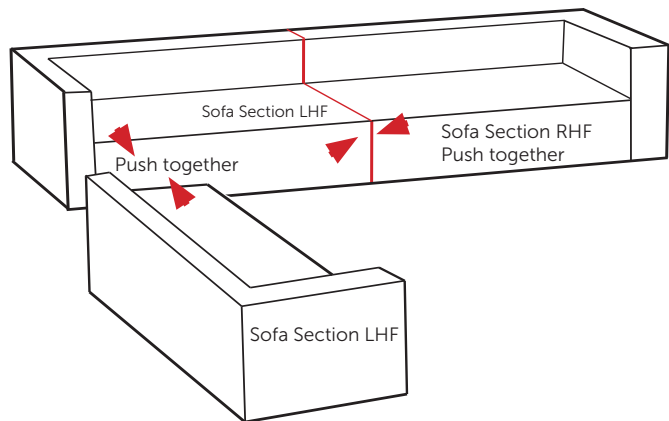


## TABLE CONSTRUCTION



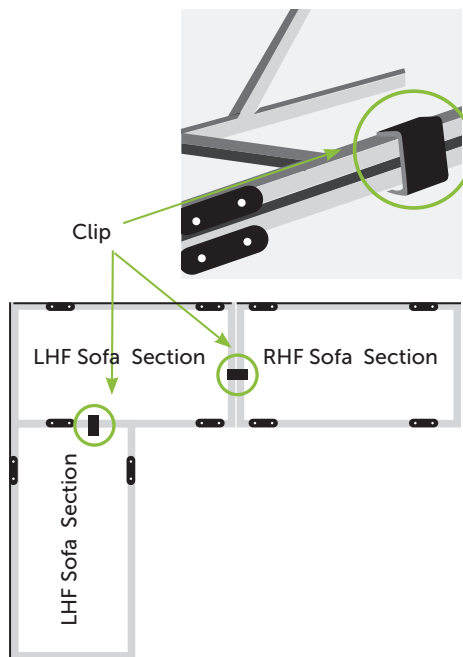
# ISOBELLA Corner Sofa with Dining Table

## PUSH THE SOFA TOGETHER



## CONNECTING CLIPS

Under the sofa



We have additional clips for sale [www.clubrattan.co.uk](http://www.clubrattan.co.uk)

Push the sofa units together and secure the clips underneath the sofa.

Remove white plastic protector on feet

Cushions should be stored dry when the set is not in use. The life span of your cushions will reduce significantly if they are left exposed to the elements.

Keep your garden set away from sources of extreme heat and naked flames. This includes direct sunlight and firepits.

Please check our website for all your Care Instruction.

Leave us a review