

HARMONY

Corner Sofa with Dining Table and 3 Stools



Box 1 of 3	Sofa Sections + Stools	Box 2 of 2	Dining Table
-------------------	------------------------	-------------------	--------------

WHAT'S IN THE BOX

- 1* 3 Seater Sofa with 2 Arms
- 1* 3 Seater Sofa with 1 Attachable Arm
- 1* Dining Table / Glass
- 3* Stools

CUSHIONS

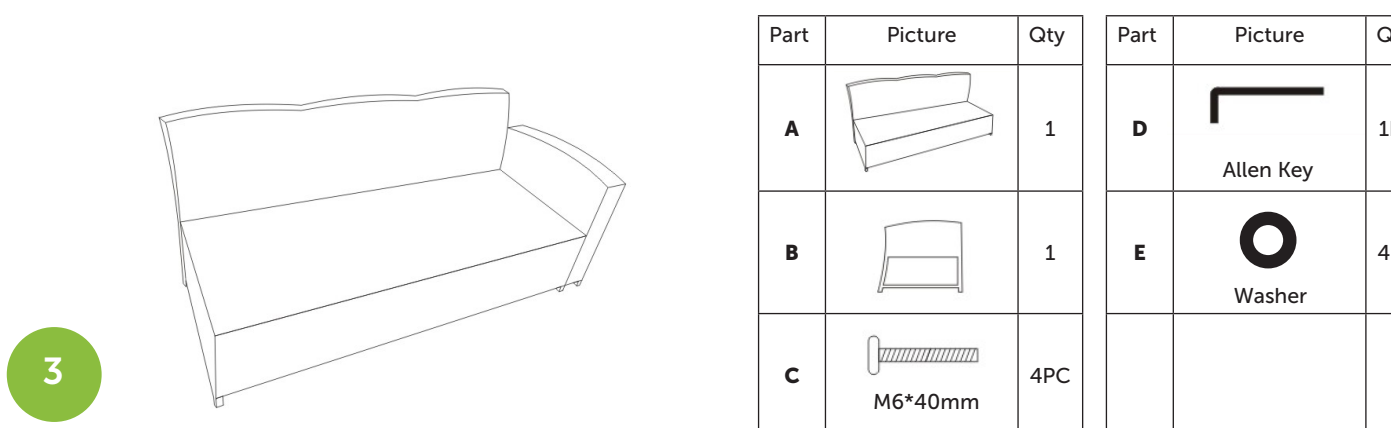
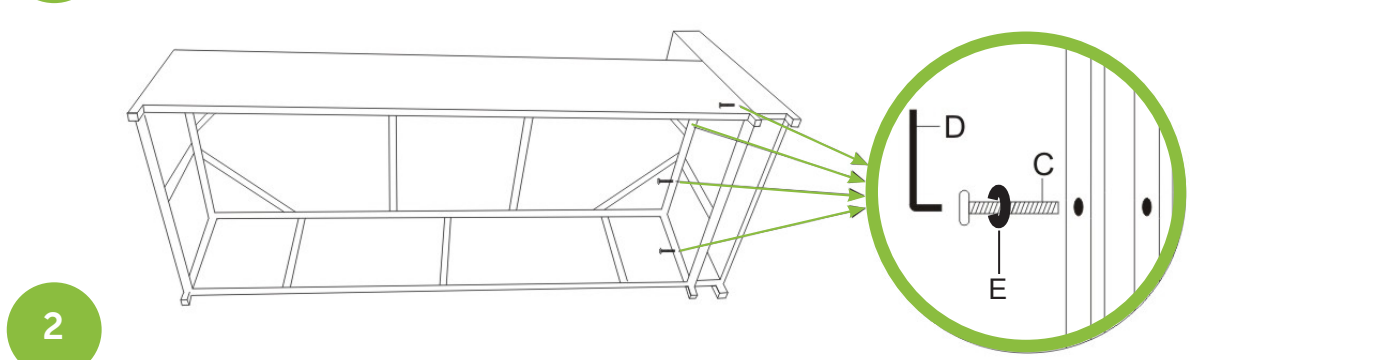
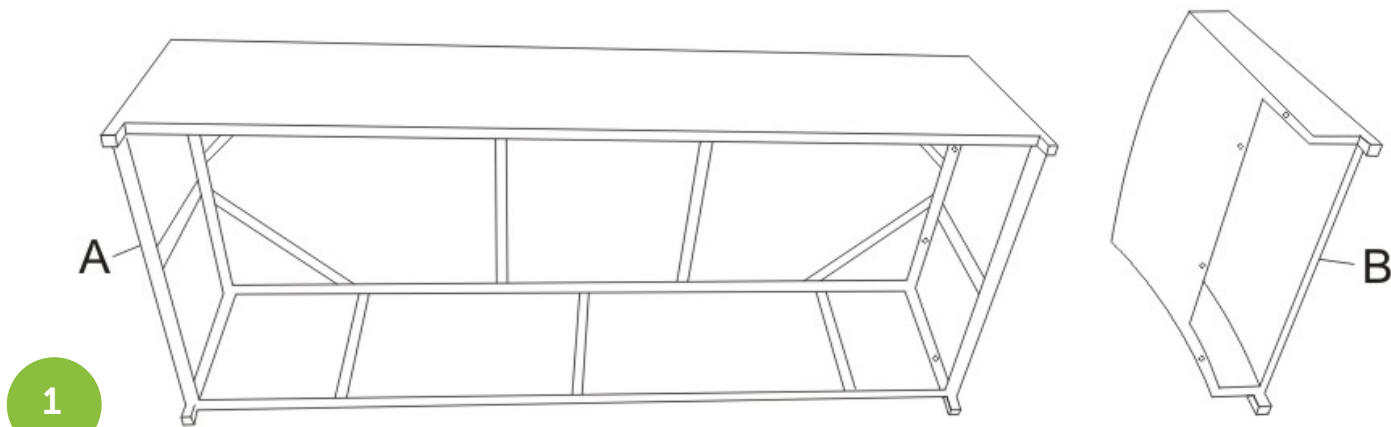
- 6* Seat Cushions
- 6* Back Cushions
- 1* Small Back Cushions
- 3* Stools Cushions
- Cushions inside the rattan frame

ACCESSORIES

- 16* Bolts M6*40mm
- 16* Washers
- Allen Key
- 1* Connecting clips



SOFA ASSEMBLY INSTRUCTIONS

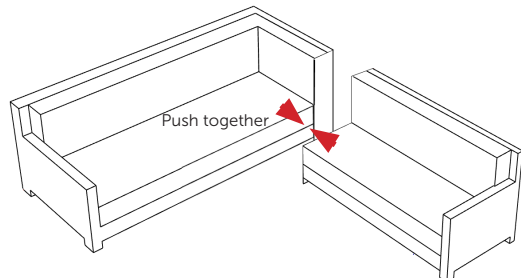


Part	Picture	Qty	Part	Picture	Qty
A		1	D	 Allen Key	1PC
B		1	E	 Washer	4PC
C	 M6*40mm	4PC			

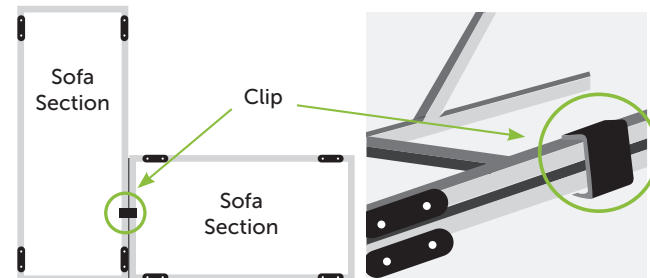
HARMONY

Corner Sofa with Dining Table and 3 Stools

PUSH THE SOFA TOGETHER



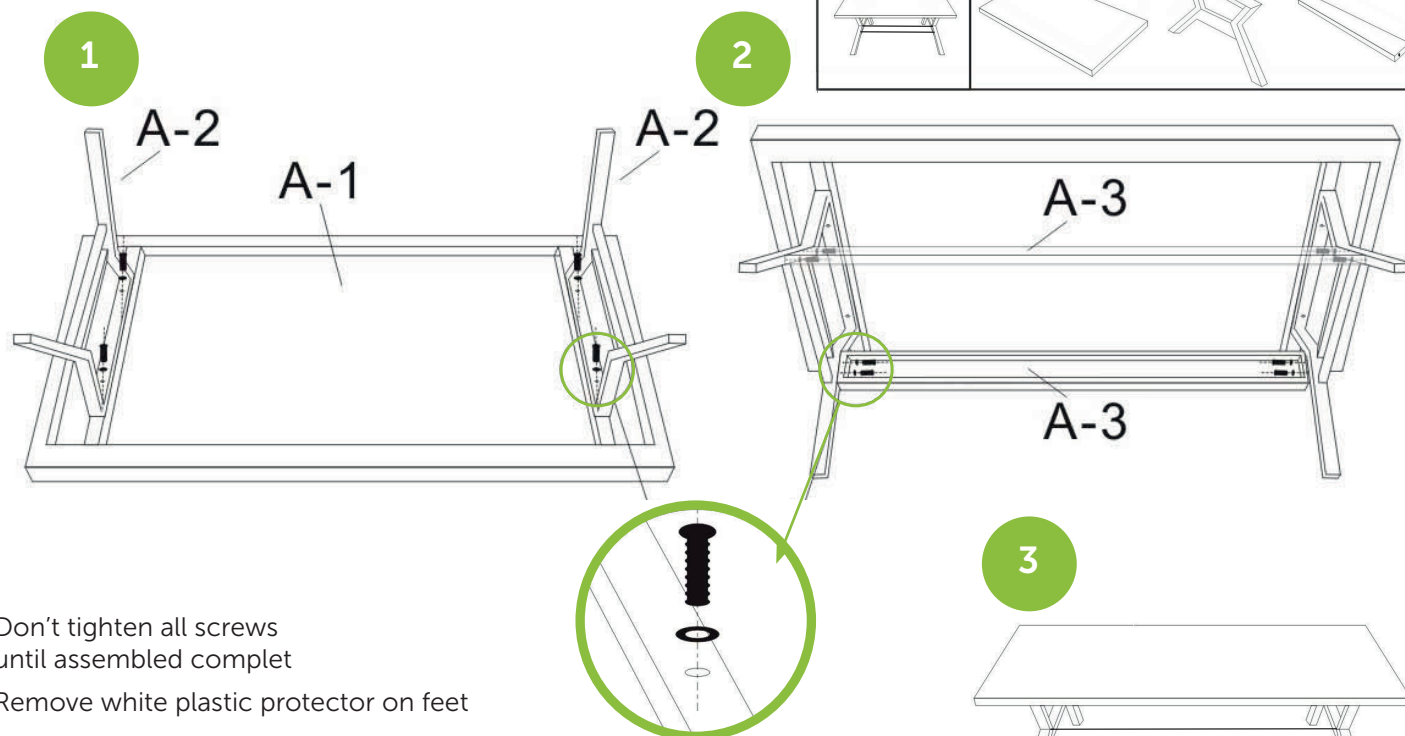
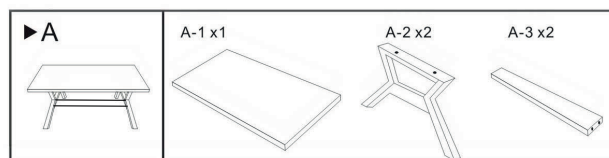
CONNECTING CLIPS - Under the sofa



We have additional clips for sale www.clubrattan.co.uk

TABLE CONSTRUCTION

TABLE ASSEMBLY



Don't tighten all screws until assembled complete

Remove white plastic protector on feet

Cushions should be stored dry when the set is not in use. The life span of your cushions will reduce significantly if they are left exposed to the elements.

Keep your garden set away from sources of extreme heat and naked flames. This includes direct sunlight and firepits.

Please check our website for all your Care Instruction.

Leave us a review