

# HARMONY

Corner Sofa with Coffee Table



**Box 1 of 1** Corner Sofa and Coffee Table, 2 Stools

## WHAT'S IN THE BOX

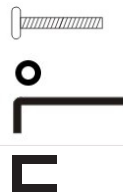
- 1\* 3 Seater Sofa 2 Arms
- 1\* 3 Seater Sofa with 1 Attachable Arm
- 1\* Coffee Table / Glass
- 2\* Stools

## CUSHIONS

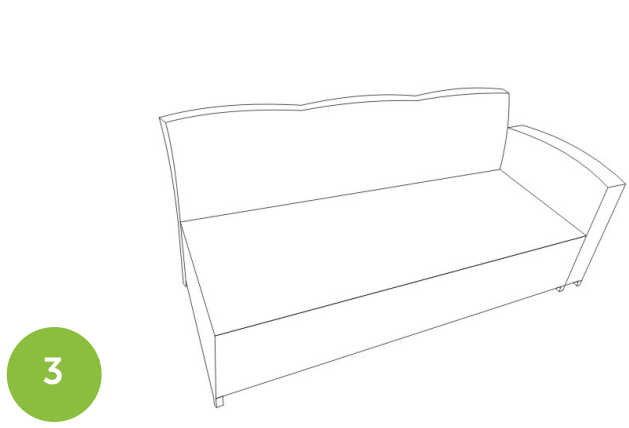
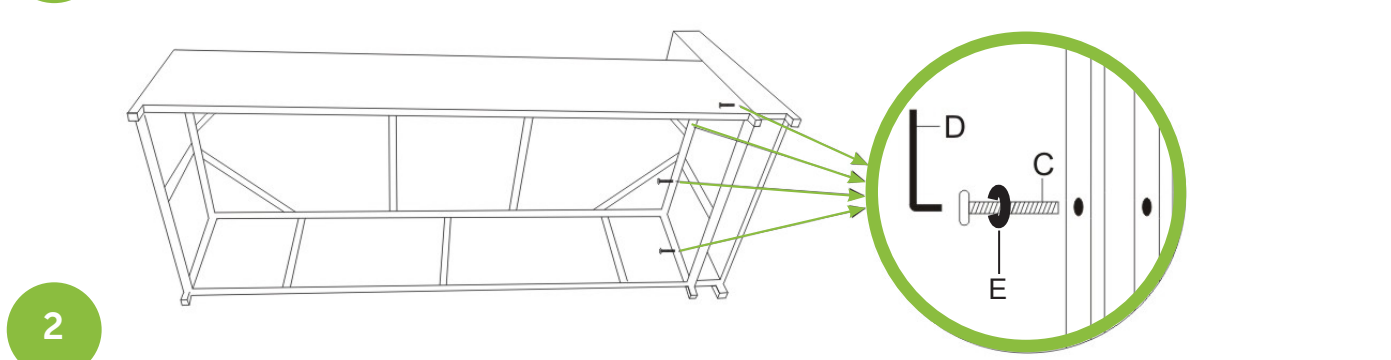
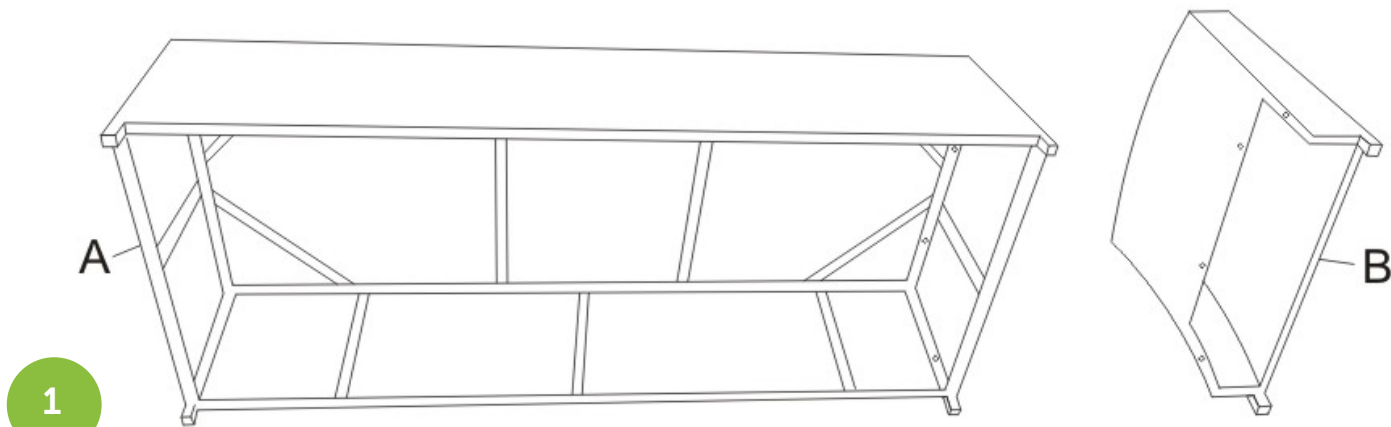
- 6\* Seat Cushions
- 6\* Back Cushions
- 1\* Small Back Cushion
- 2\* Stool Cushion
- Cushions inside the rattan frame



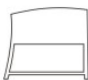


## ACCESSORIES

- 4\* Bolts M6\*40mm
- 4\* Washers
- Allen Key
- 1\* Connecting clips



## SOFA ASSEMBLY INSTRUCTIONS

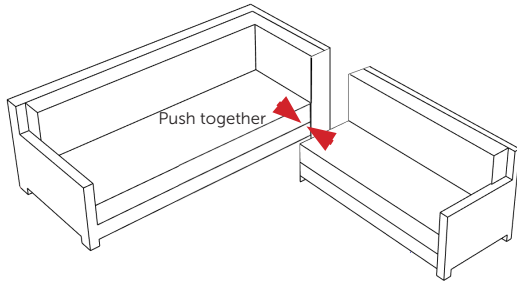


Part	Picture	Qty	Part	Picture	Qty
A		1	D	 Allen Key	1PC
B		1	E	 Washer	4PC
C	 M6*40mm	4PC			

# HARMONY

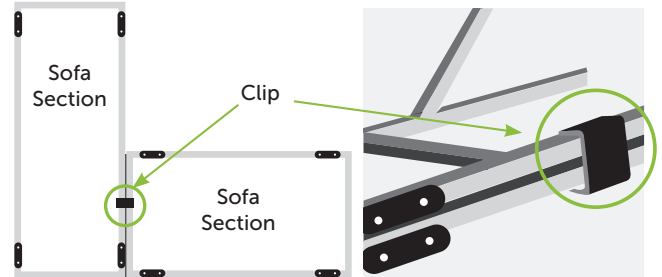
Corner Sofa with Coffee Table

## PUSH THE SOFA TOGETHER



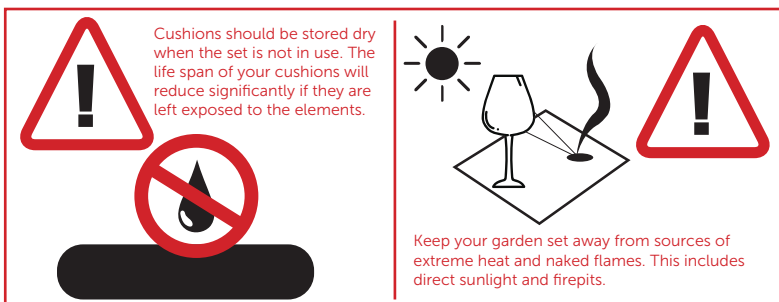
Push the two sofa units together and secure the clips underneath the sofa.

## CONNECTING CLIPS - Under the sofa



We have additional clips for sale [www.clubrattan.co.uk](http://www.clubrattan.co.uk)

Remove white plastic protector on feet



Please check our website for all your Care Instruction.

Leave us a review