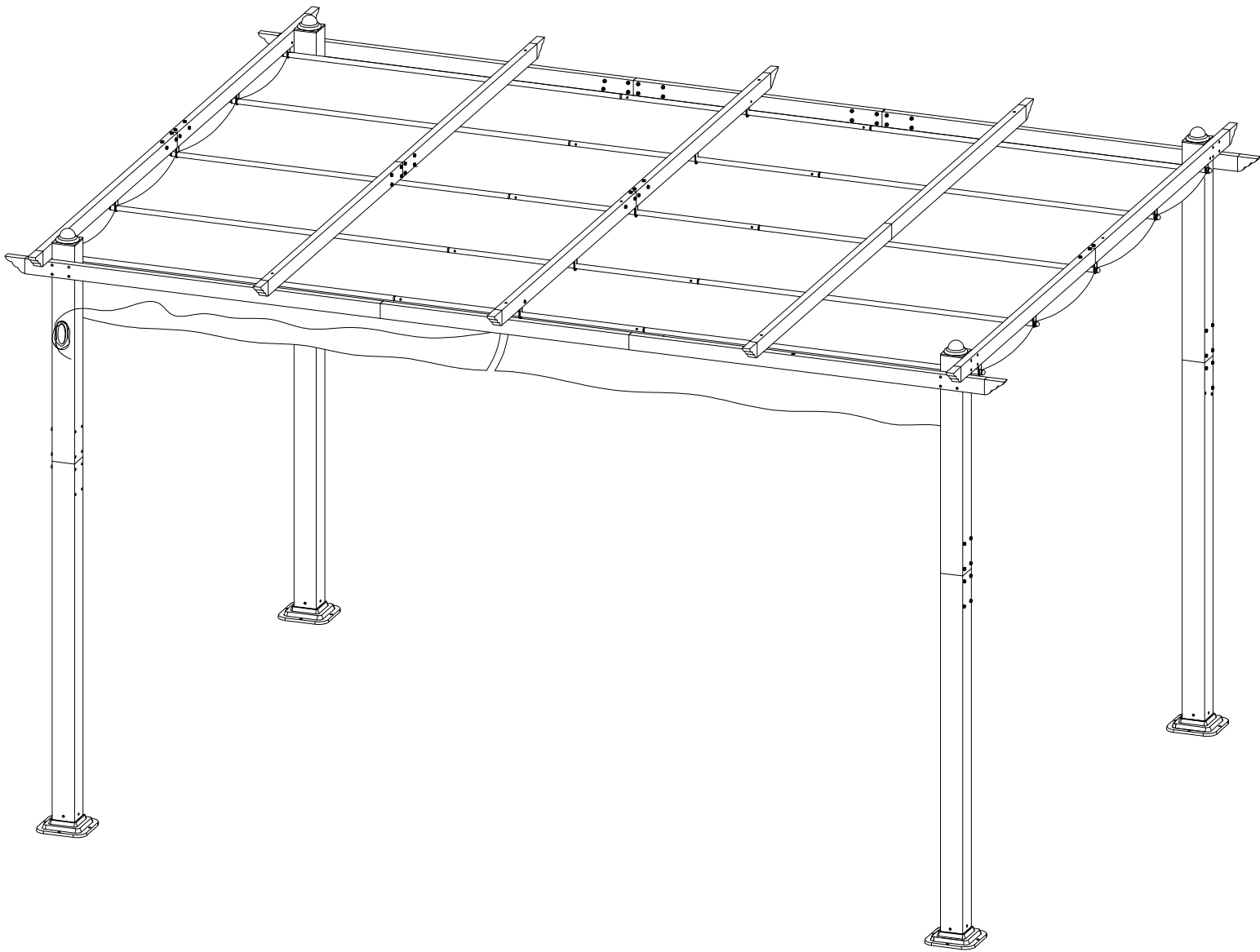
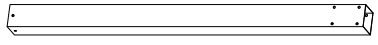
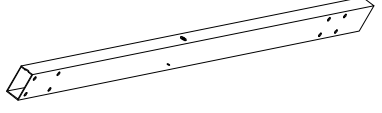
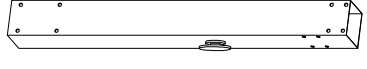
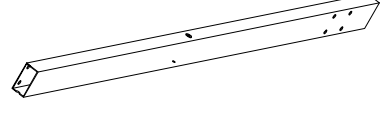
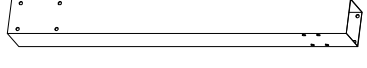

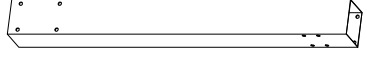
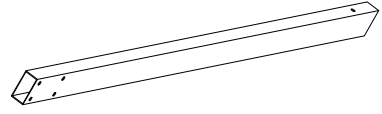
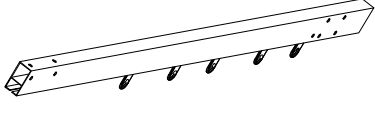

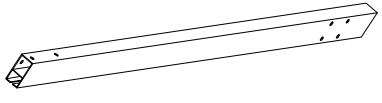

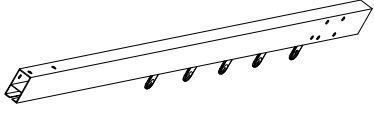
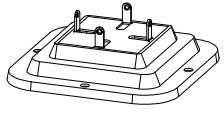
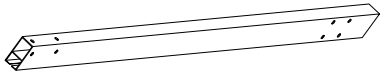

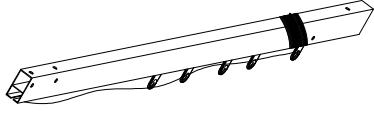

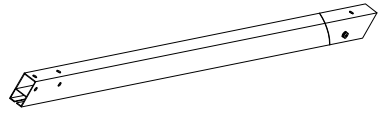

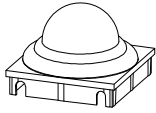
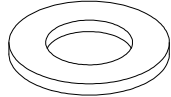
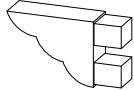




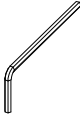

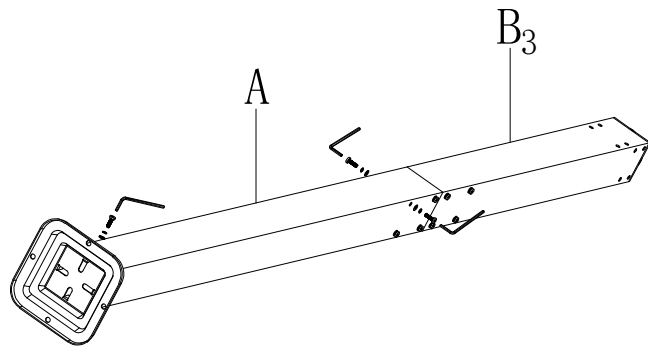
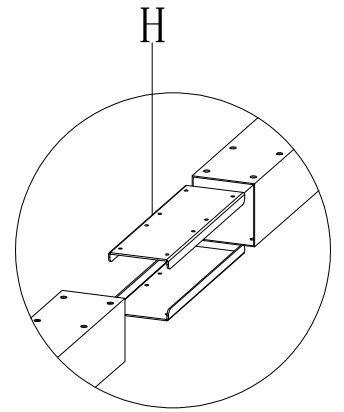
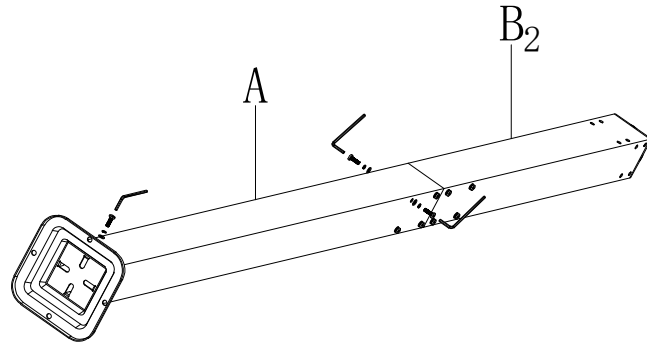
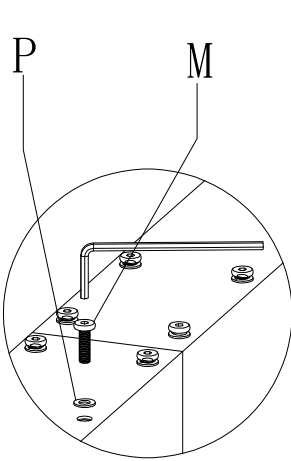
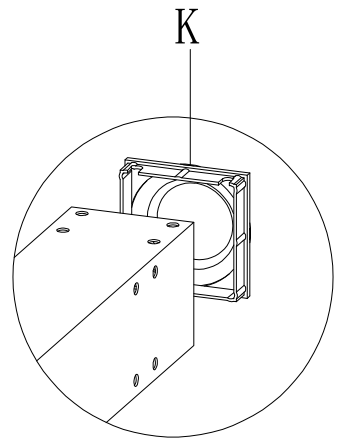
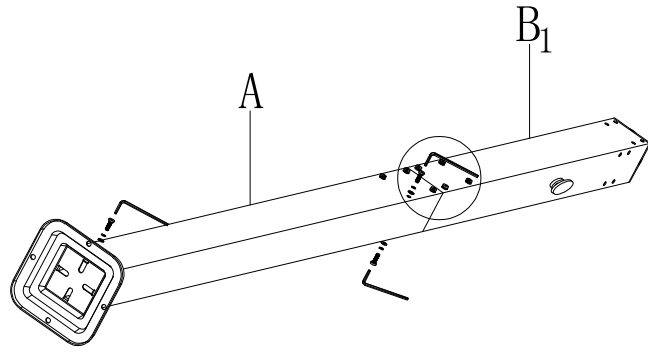
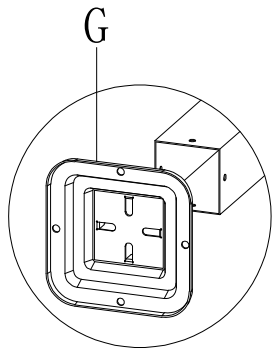


# PEG-34G

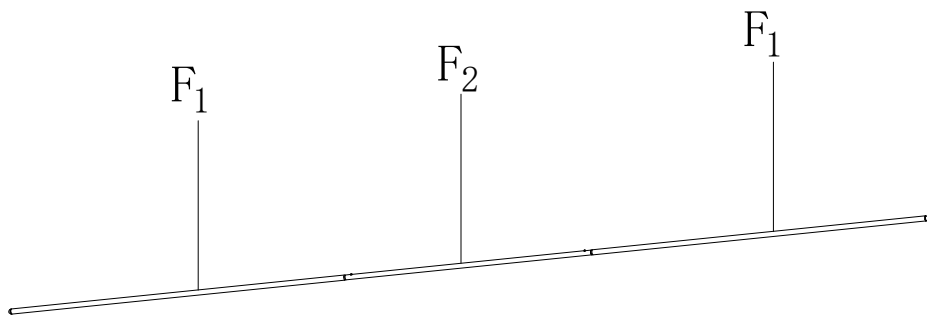


|                |   |   |                |    |   |
|----------------|---|---|----------------|----|---|
| A              | 4 |    | D <sub>1</sub> | 2  |    |
| B <sub>1</sub> | 1 |    | D <sub>2</sub> | 2  |    |
| B <sub>2</sub> | 2 |    | D <sub>3</sub> | 2  |    |
| B <sub>3</sub> | 1 |    | E              | 4  |    |
| C <sub>1</sub> | 1 |   | F <sub>1</sub> | 10 |   |
| C <sub>2</sub> | 1 |  | F <sub>2</sub> | 5  |  |
| C <sub>3</sub> | 1 |  | G              | 4  |  |
| C <sub>4</sub> | 1 |  | H              | 8  |  |
| C <sub>5</sub> | 1 |  | I              | 6  |  |
| C <sub>6</sub> | 1 |  | J              | 3  |  |

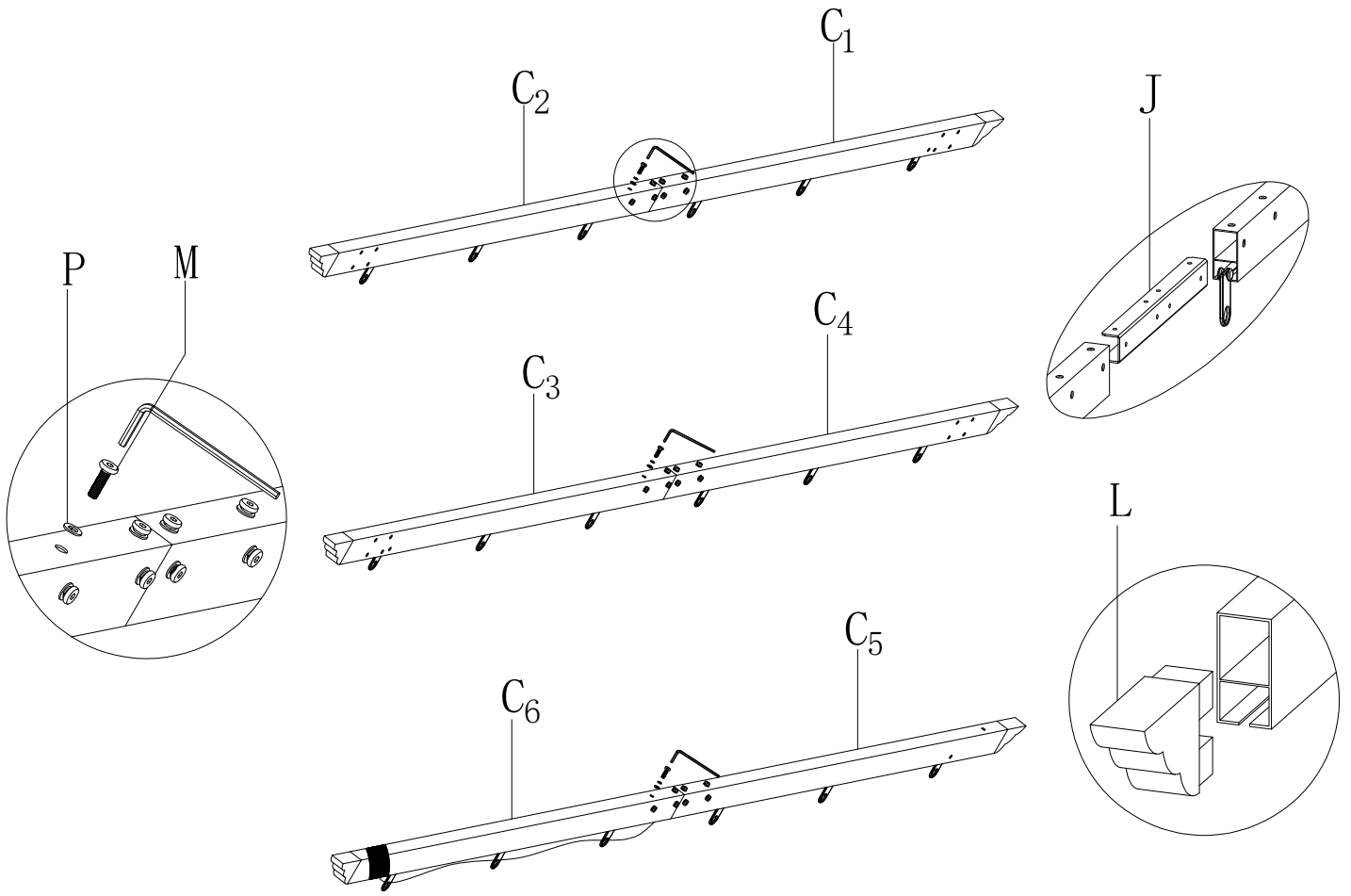
|   |     |  |   |     |   |
|---|-----|--|---|-----|---|
| K | 4   |           | P | 190 |  |
| L | 14  |           | Q | 1   |  |
| M | 152 | M6*15<br> | R | 16  |  |
| N | 32  | M6*40<br> | S | 1   |  |
| O | 6   | M6*75<br> |   |     |   |



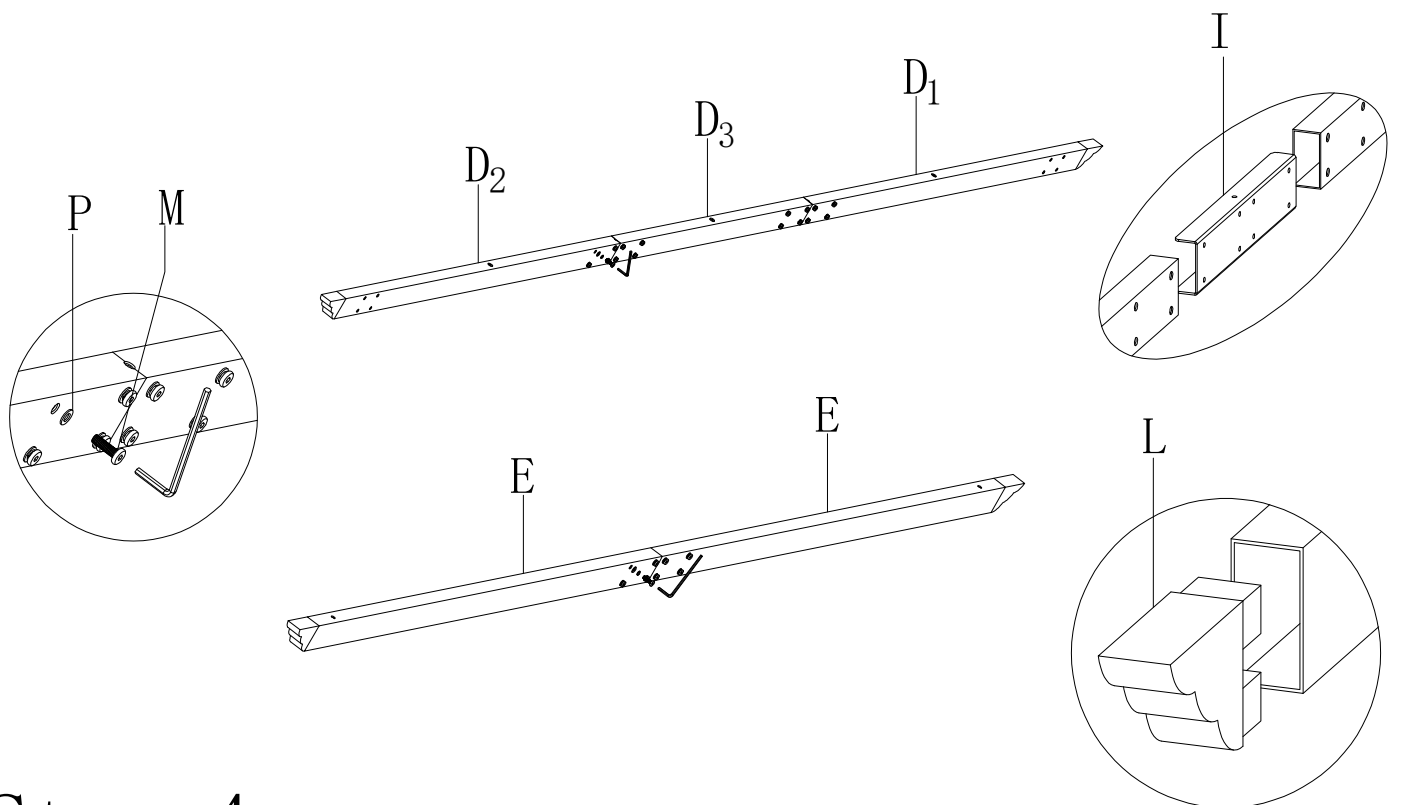
Step 1



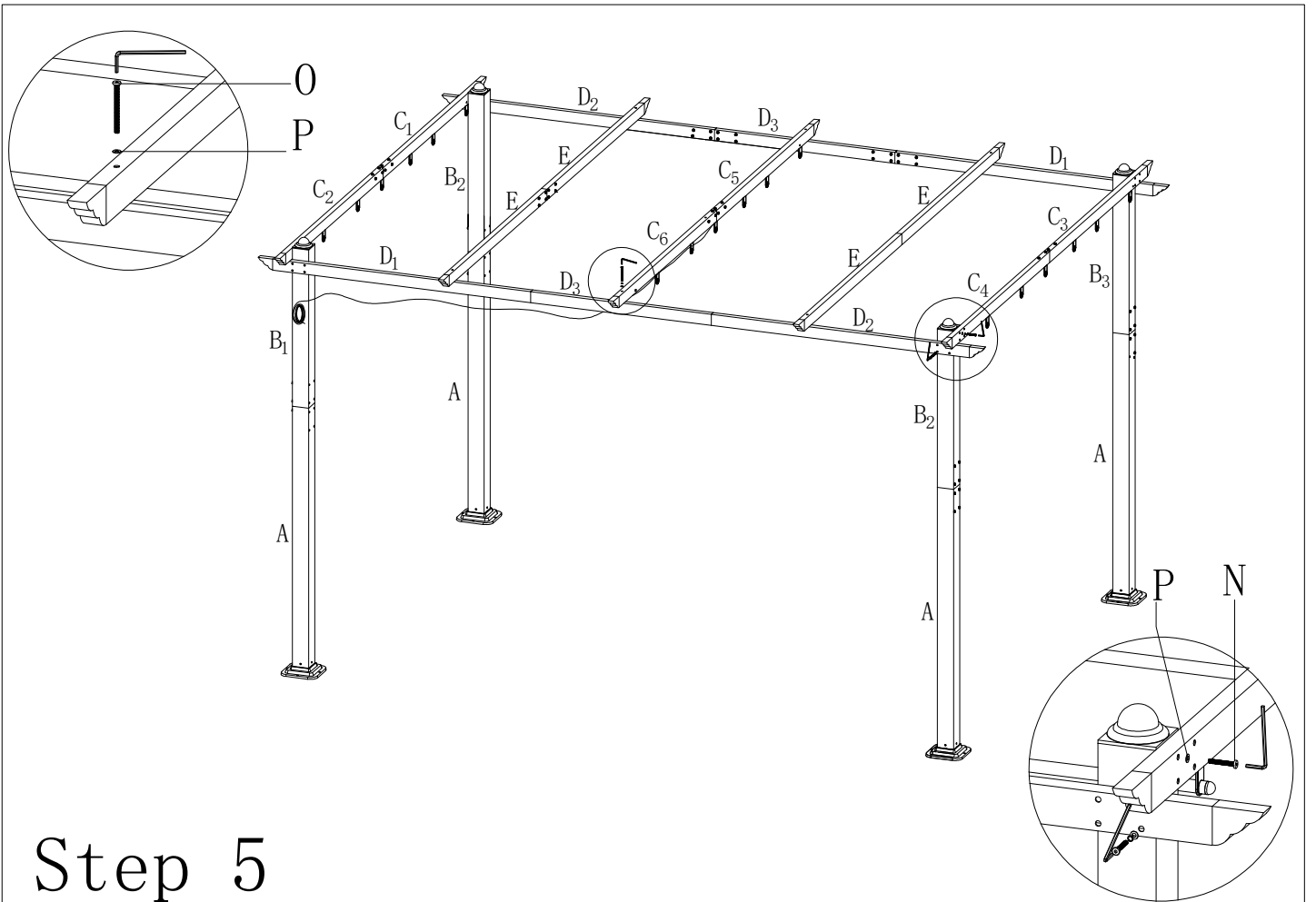
Step 2



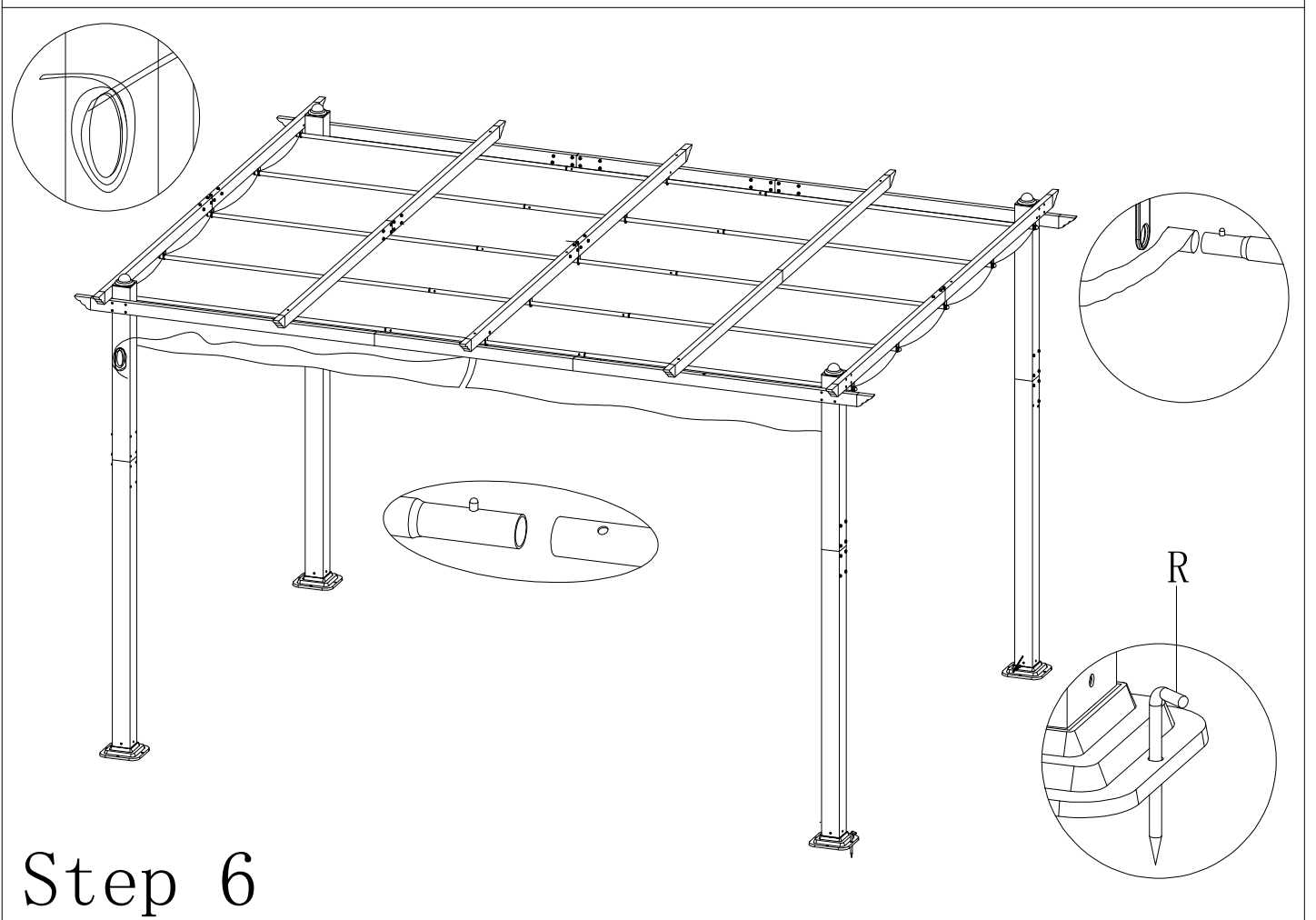
### Step 3



### Step 4



Step 5



Step 6