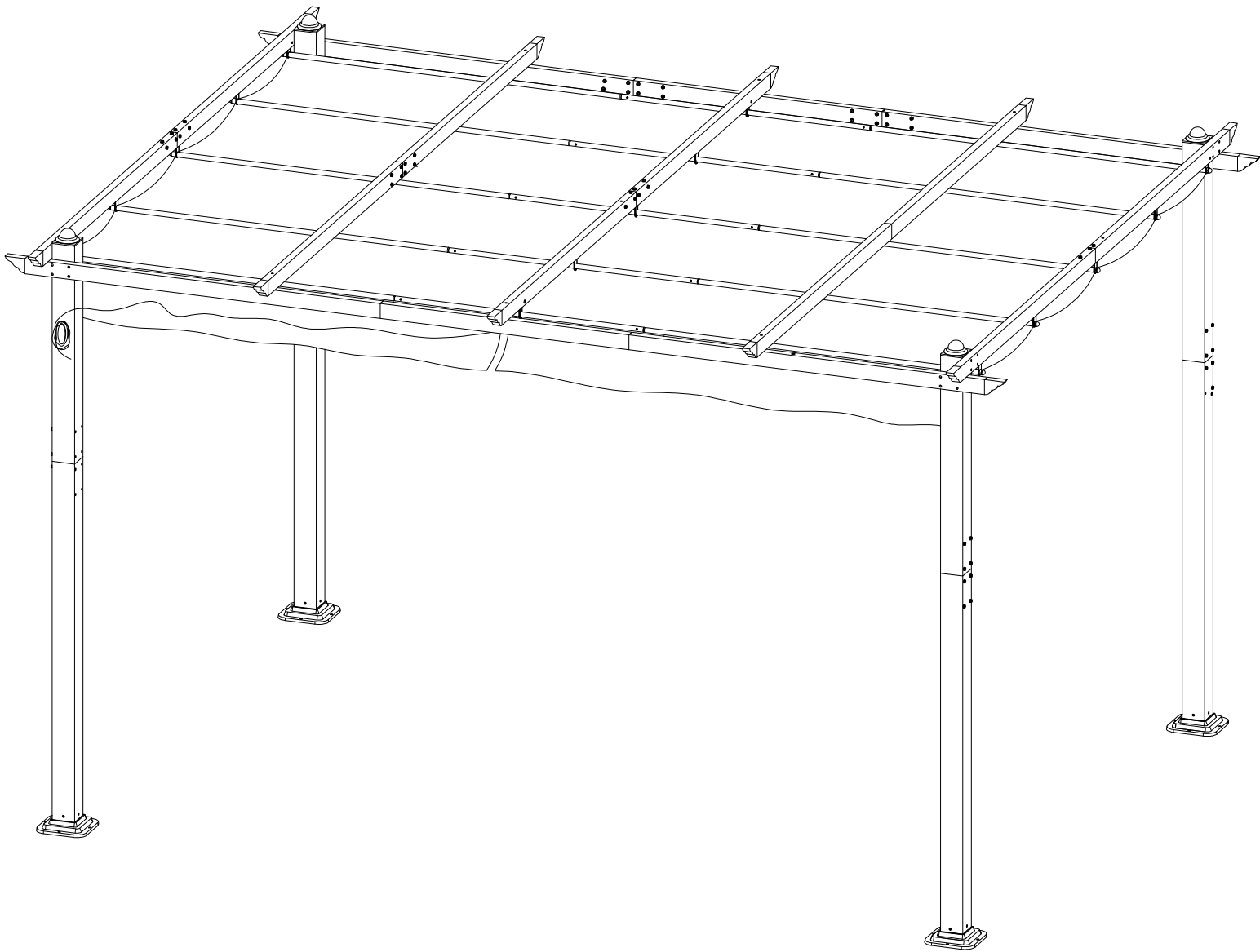
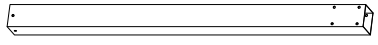
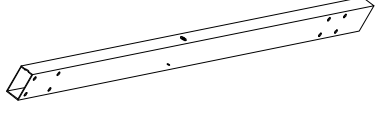
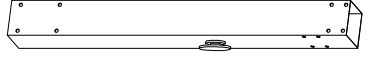
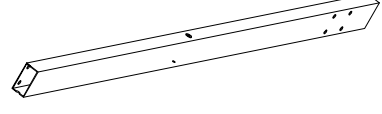
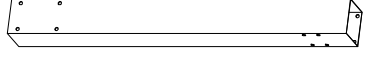

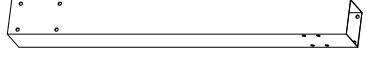
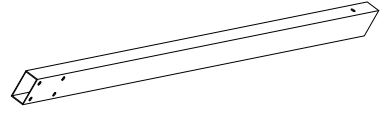
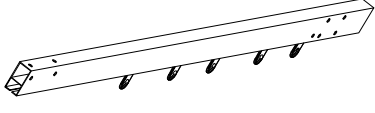

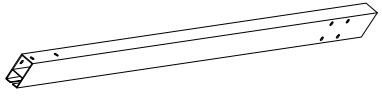

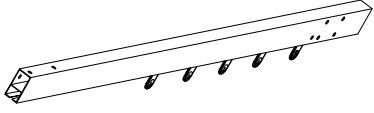
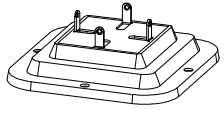
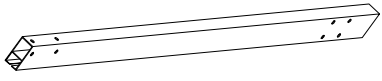

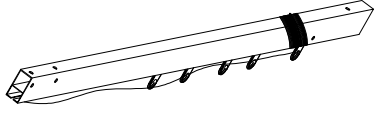

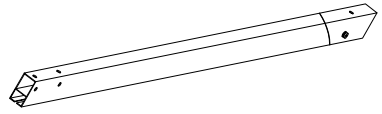

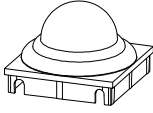
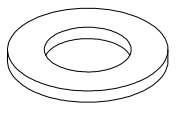
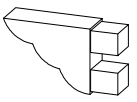

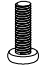


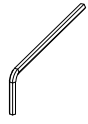

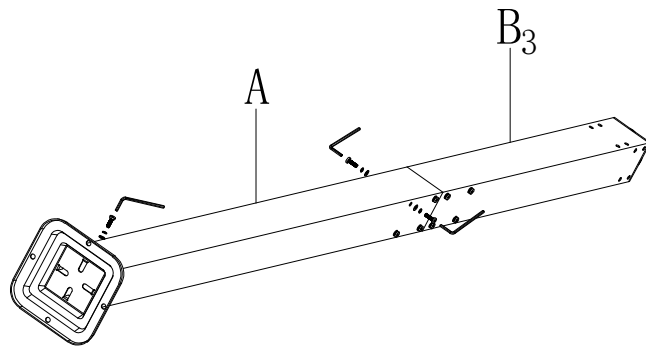
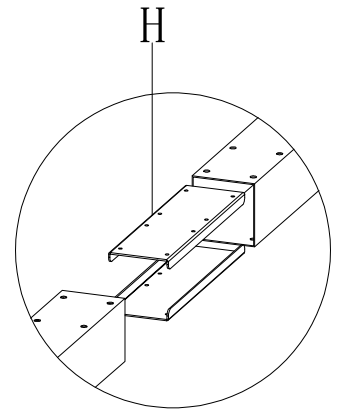
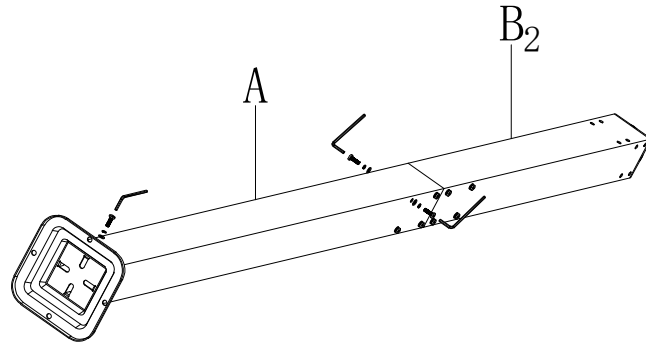
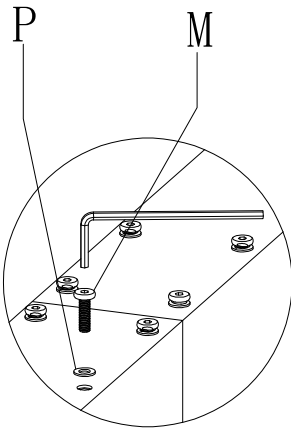
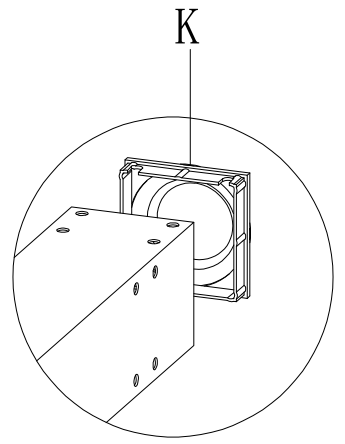
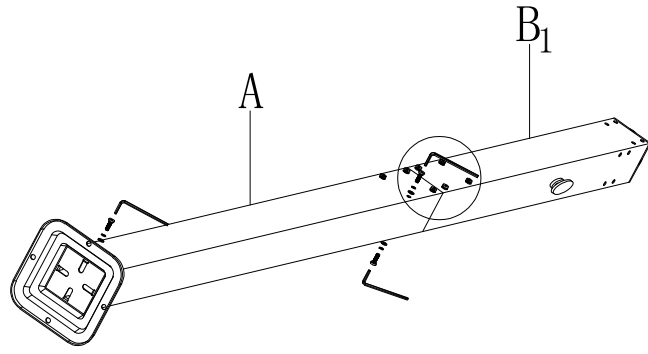
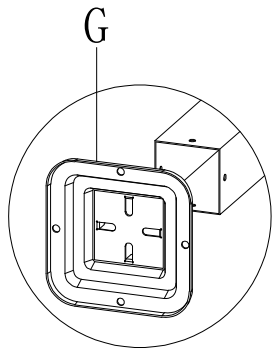


PEG-34B

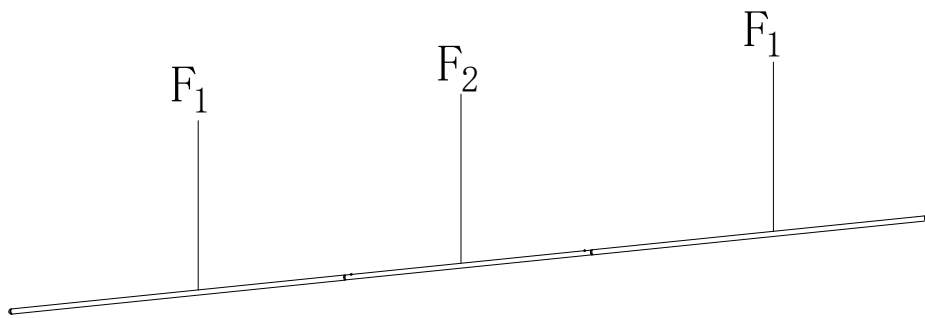


A	4		D ₁	2	
B ₁	1		D ₂	2	
B ₂	2		D ₃	2	
B ₃	1		E	4	
C ₁	1		F ₁	10	
C ₂	1		F ₂	5	
C ₃	1		G	4	
C ₄	1		H	8	
C ₅	1		I	6	
C ₆	1		J	3	

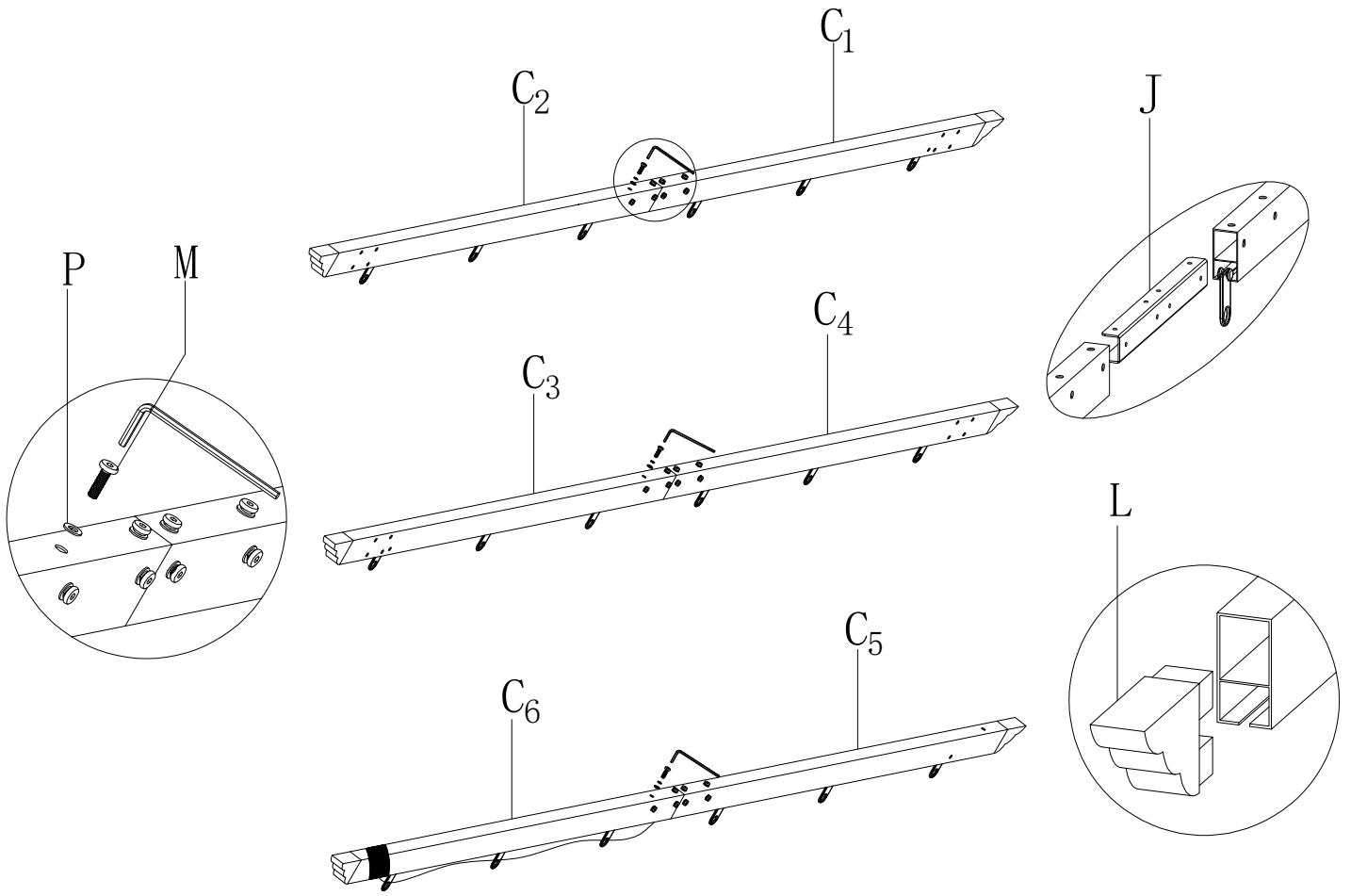
K	4		P	190	
L	14		Q	1	
M	152	M6*15 	R	16	
N	32	M6*40 	S	1	
O	6	M6*75 			



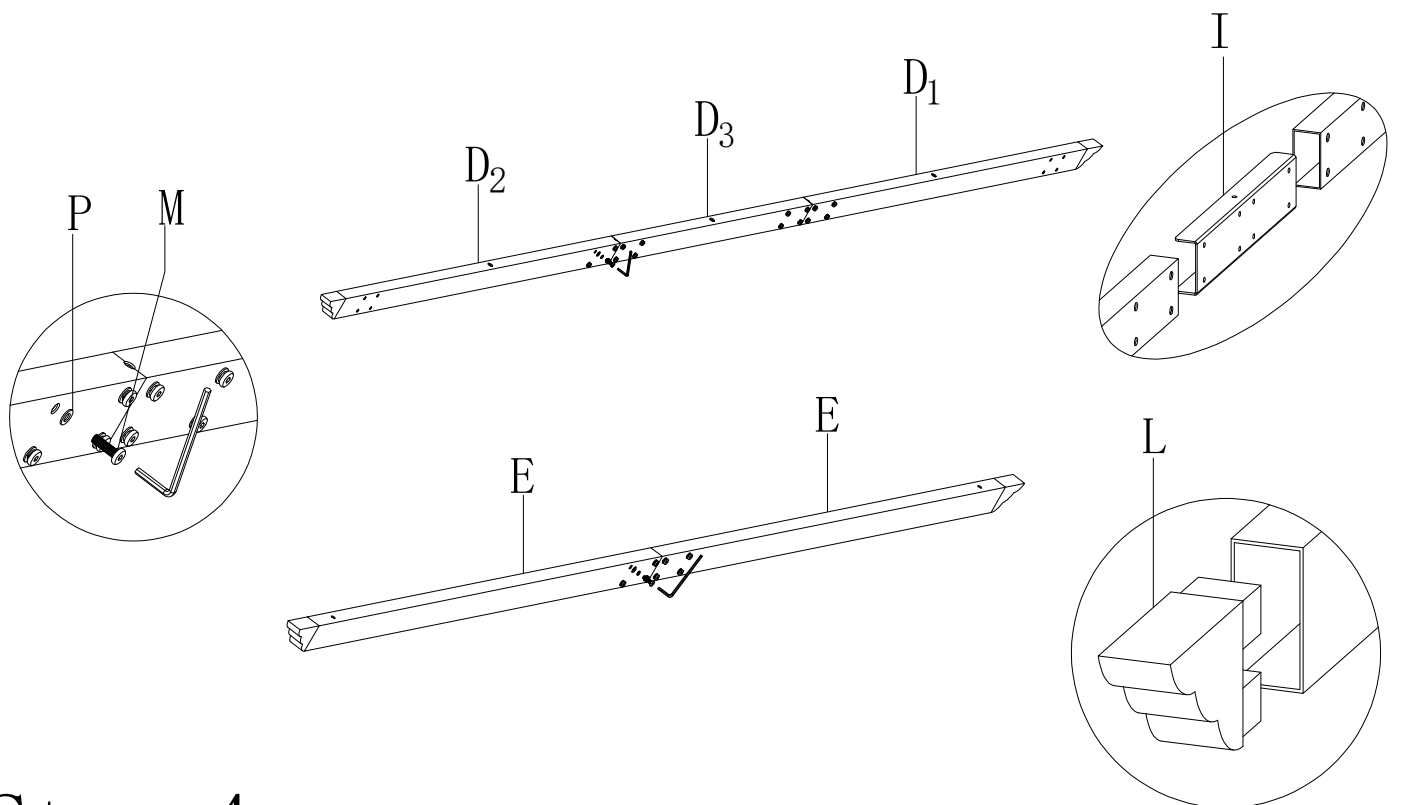
Step 1



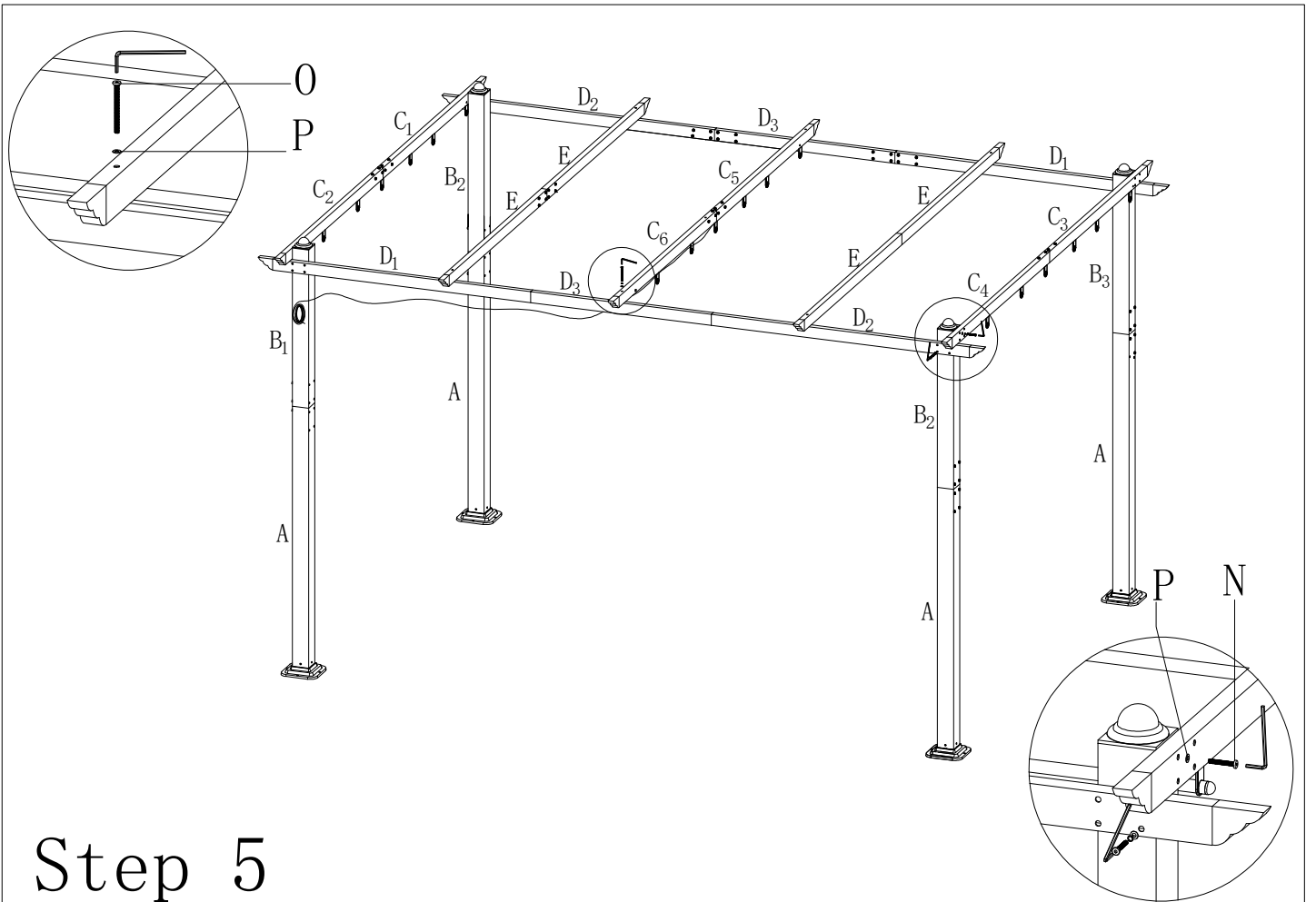
Step 2



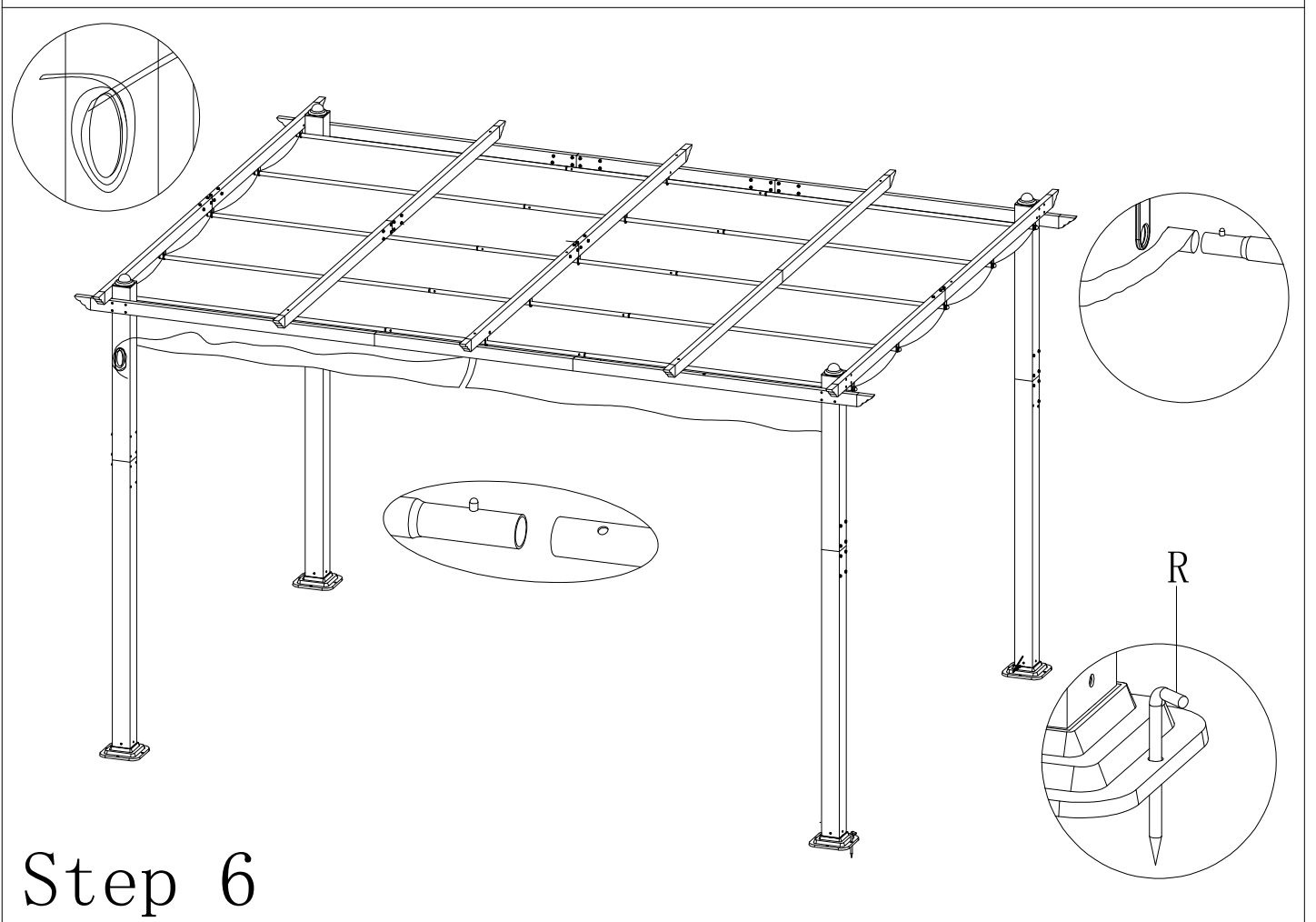
Step 3



Step 4



Step 5



Step 6