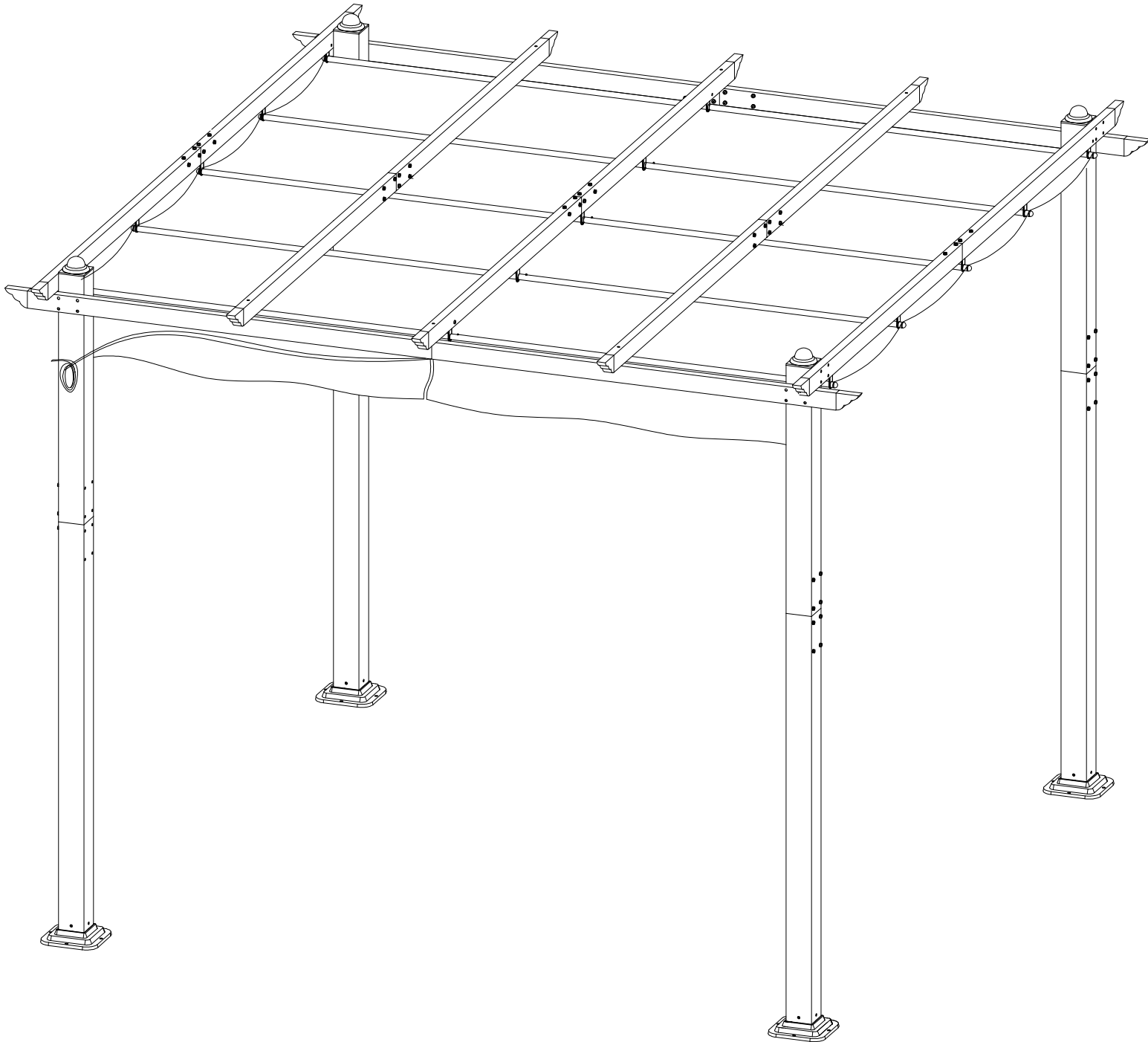
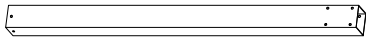
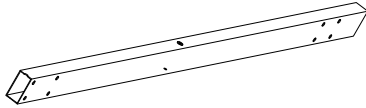
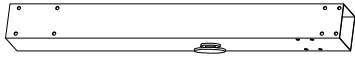
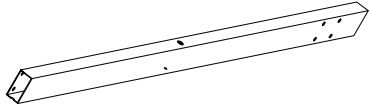
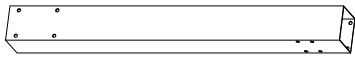
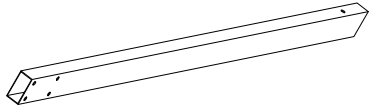
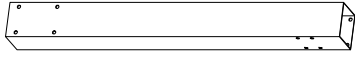

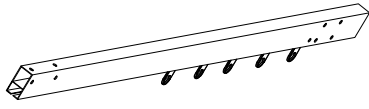

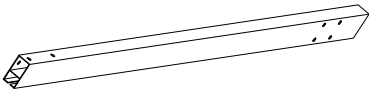
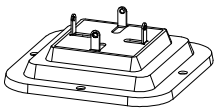
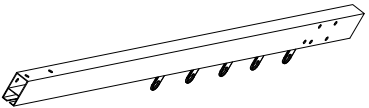
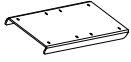
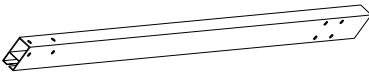

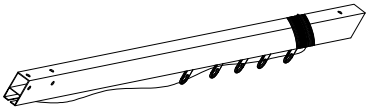

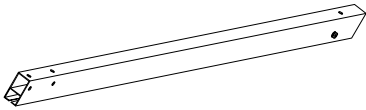
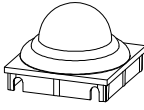
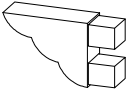
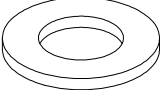

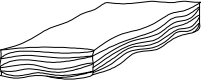



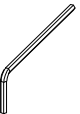
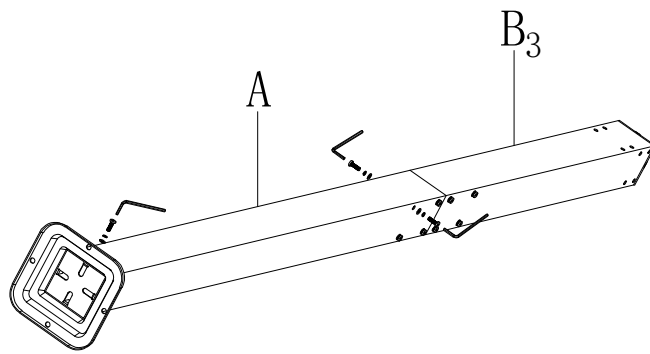
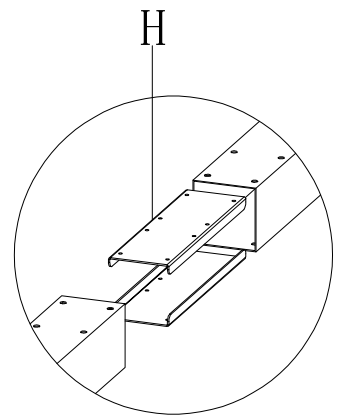
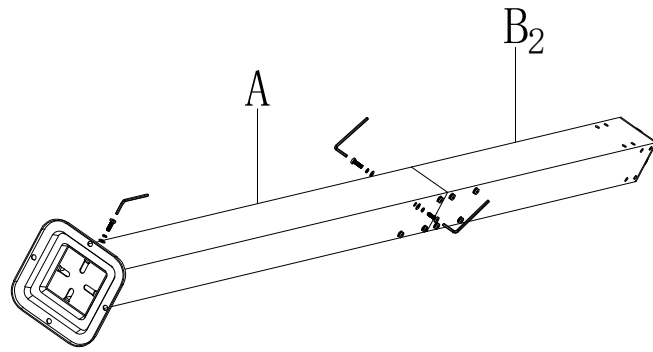
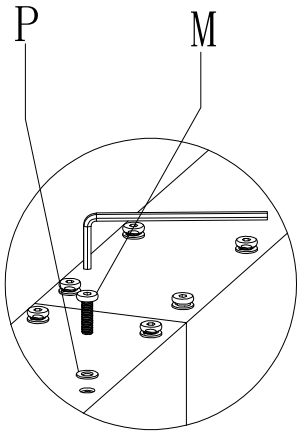
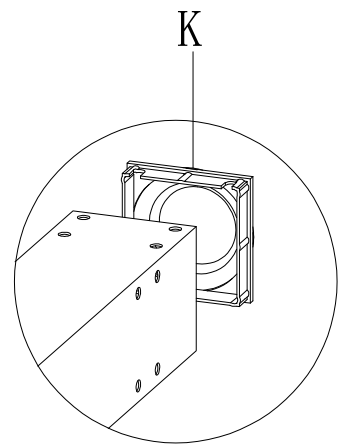
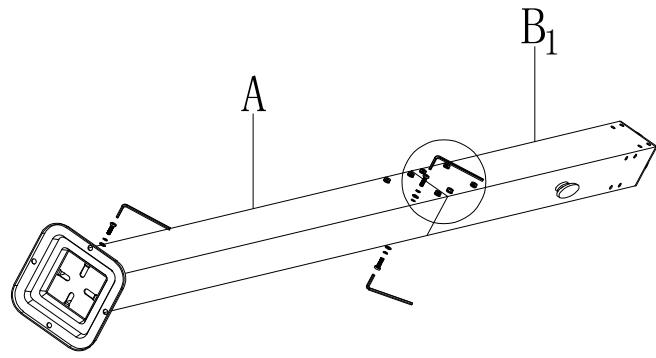
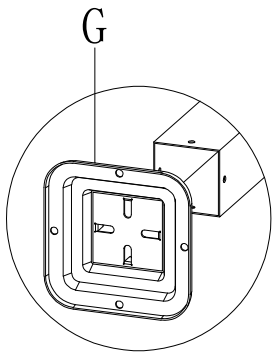


PEG-33B

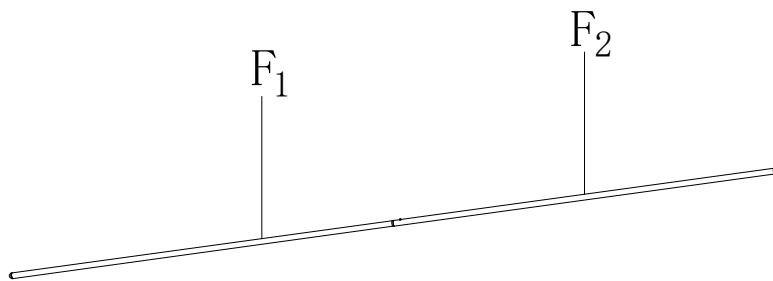


A	4		D ₁	2	
B ₁	1		D ₂	2	
B ₂	2		E	4	
B ₃	1		F ₁	5	
C ₁	1		F ₂	5	
C ₂	1		G	4	
C ₃	1		H	8	
C ₄	1		I	4	
C ₅	1		J	3	
C ₆	1		K	4	

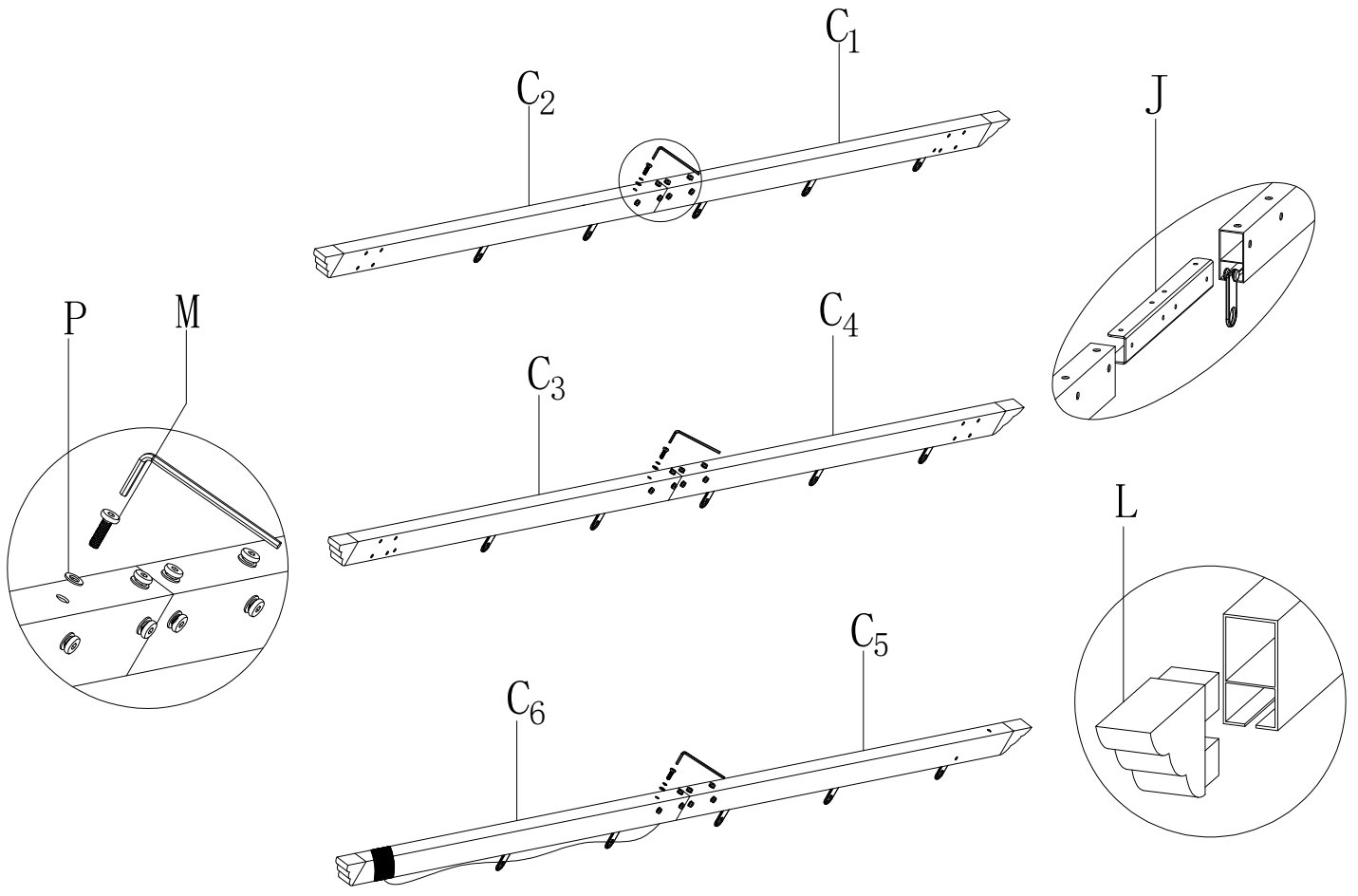
L	14		P	174	
M	136	M6*15 	Q	1	
N	32	M6*40 	R	16	
O	6	M6*75 	S	1	



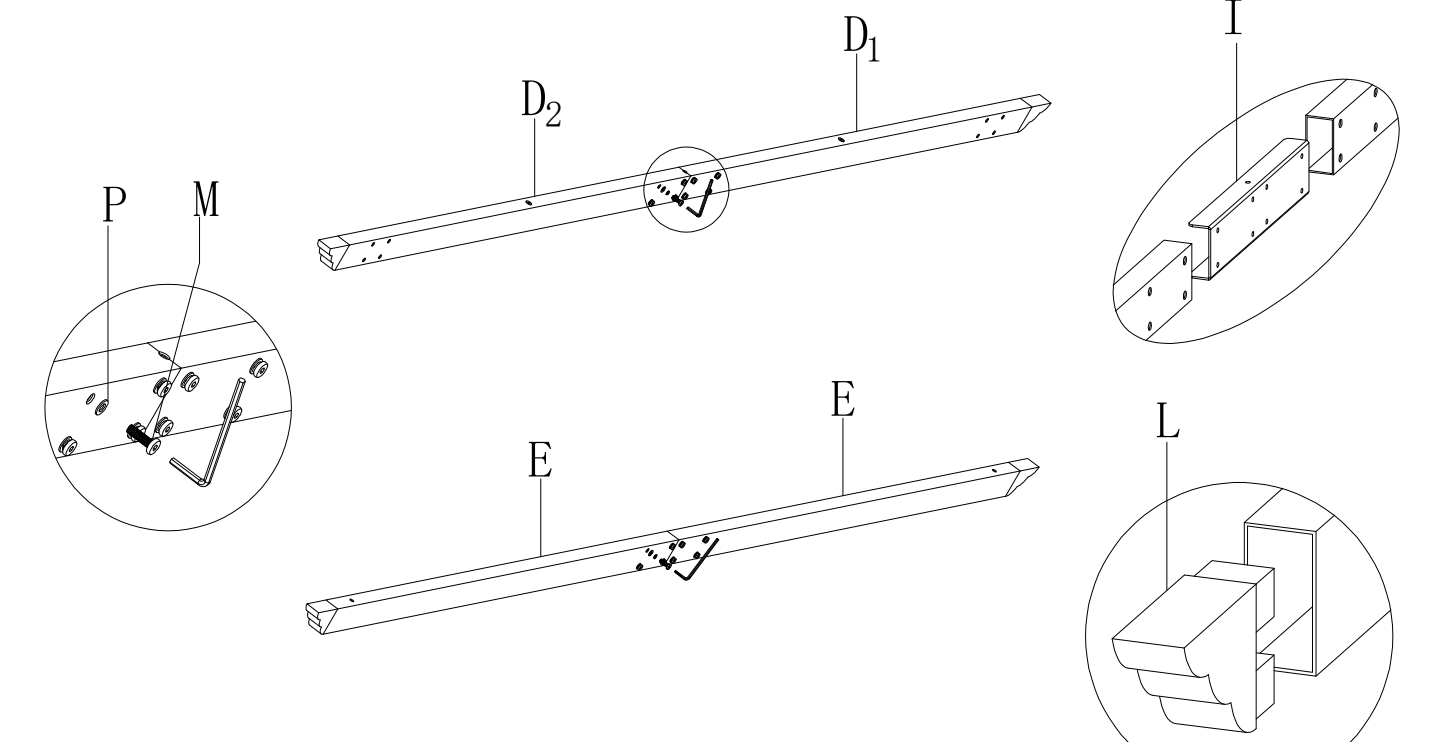
Step 1



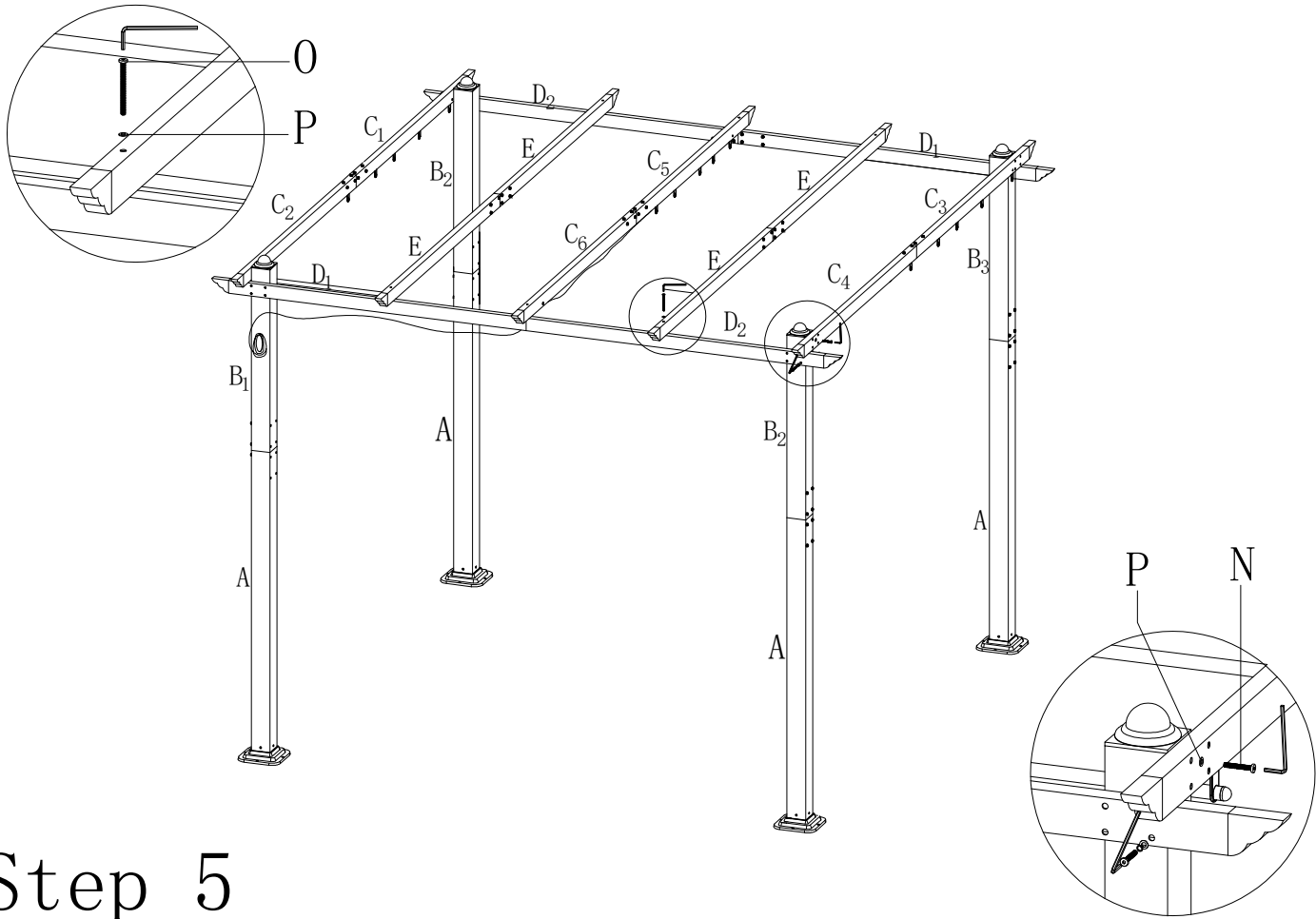
Step 2



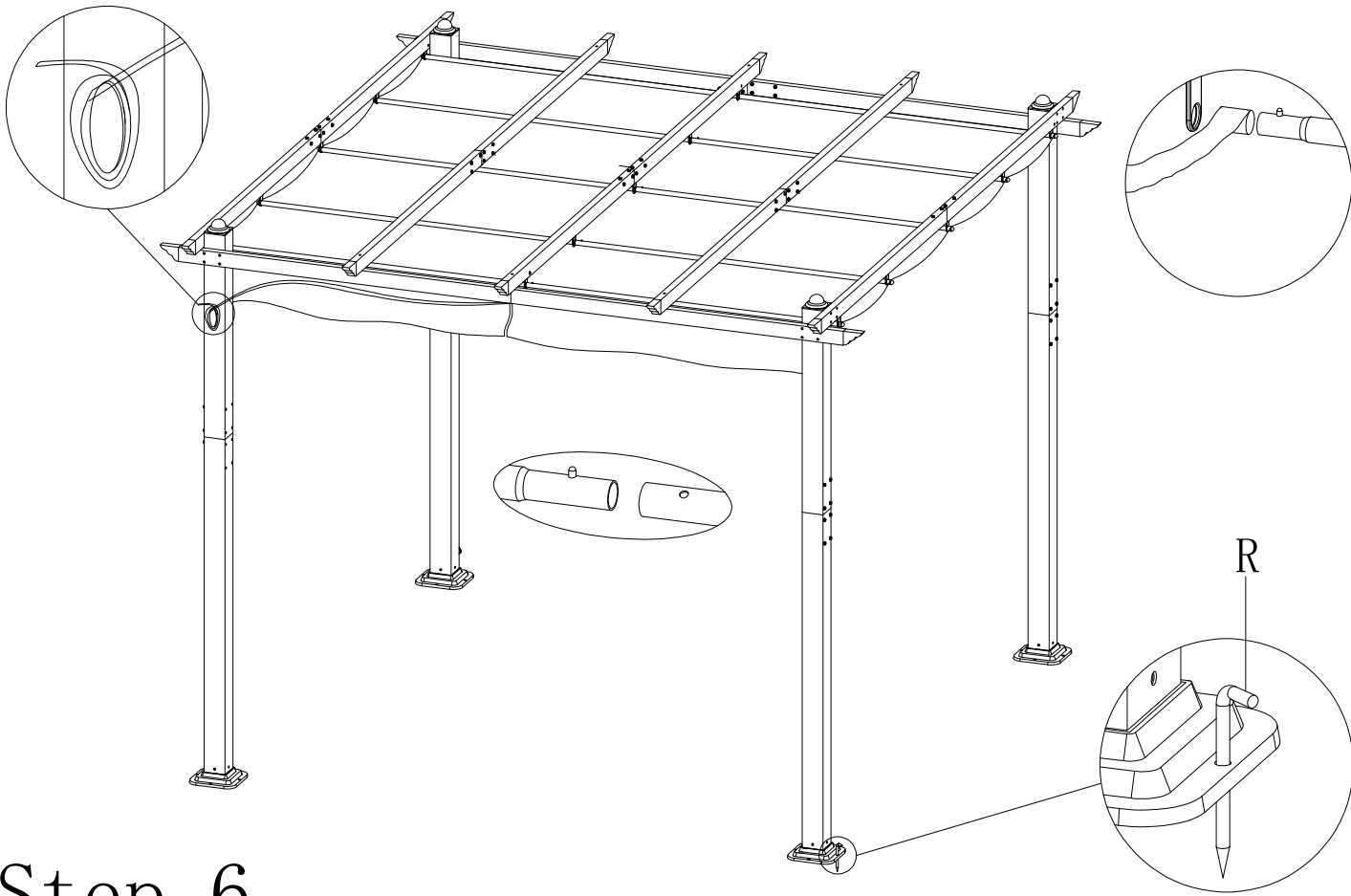
Step 3



Step 4



Step 5



Step 6