

# LISETTE

Corner Sofa with Rising Table and 2 Stools



<b>Box 1 of 3</b>	LHF Arm Section, RHF Arm Section, Stool, Bench	<b>Box 2 of 3</b>	Corner Sofa Section, Table Base	<b>Box 3 of 3</b>	Table Top
-------------------	--	-------------------	---------------------------------	-------------------	-----------


## WHAT'S IN THE BOX

- 1\* 2 Seater Sofa with LHF Arm
- 1\* 2 Seater Sofa with RHF Arm
- 1\* Corner Section with No Arms
- 1\* Rising Dining/Coffee Table with Tempered Glass
- 2\* Stools

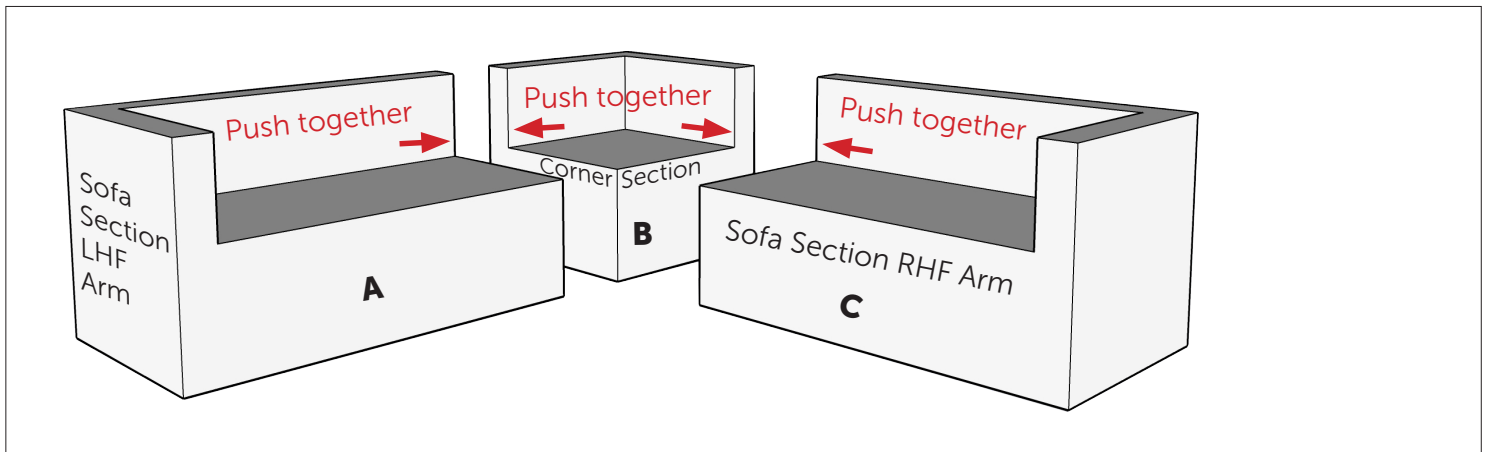
## CUSHIONS

- 5\* Seat Cushions
  - 4\* Large Back Cushions
  - 1\* Small Back Cushion
  - 2\* Stool Cushions
- Cushions are stored inside the rattan frame

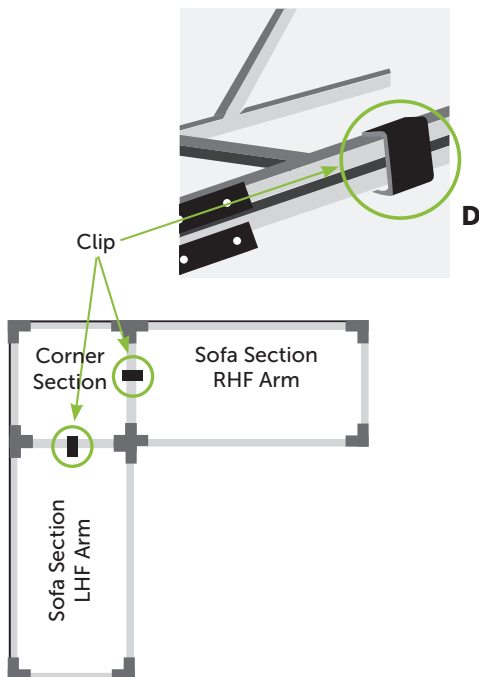
## ACCESSORIES

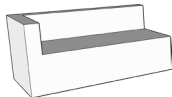
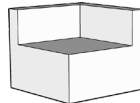
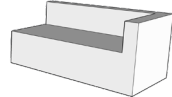

- 4\* Connecting clips 

## PUSH THE SOFA TOGETHER



## CONNECTING CLIPS - Under the sofa




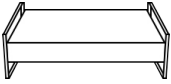
Part	Picture	Qty
A		1
B		1
C		1
D		4

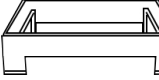

We have additional clips for sale [www.clubrattan.co.uk](http://www.clubrattan.co.uk)



# LISETTE


Corner Sofa with Rising Table, Bench and Stool

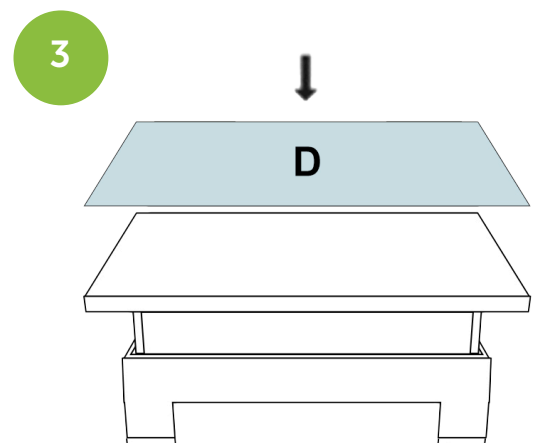
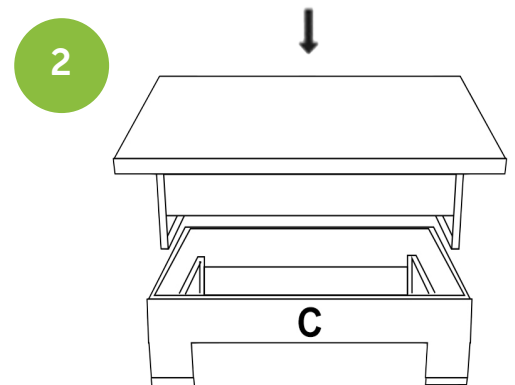
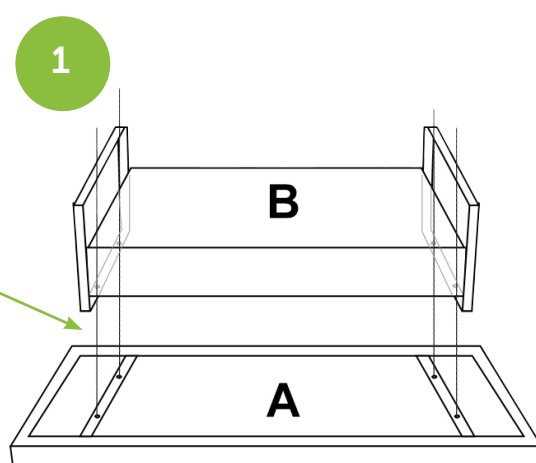
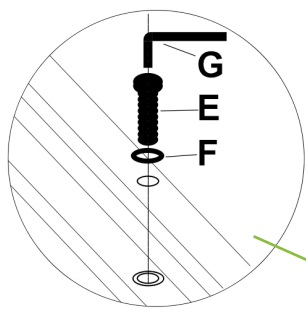
## RISING TABLE ASSEMBLY INSTRUCTIONS

Part	Picture	Qty
<b>A</b>	 Table Top	1PC
<b>B</b>	 Table Top Frame	1PC


Part	Picture	Qty
<b>C</b>	 Baseframe	1PC
<b>D</b>	 Glass	1PC

Part	Picture	Qty
<b>E</b>		4PC
<b>F</b>		4PC


Part	Picture	Qty
<b>G</b>		1PC

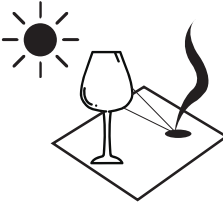


Remove white plastic protector on feet




Cushions should be stored dry when the set is not in use. The life span of your cushions will reduce significantly if they are left exposed to the elements.





Keep your garden set away from sources of extreme heat and naked flames. This includes direct sunlight and firepits.



Please check our website for all your Care Instruction.

Leave us a review