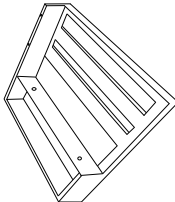
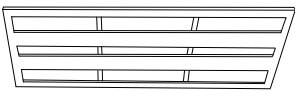
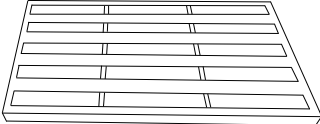
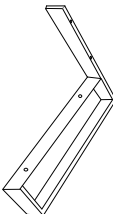




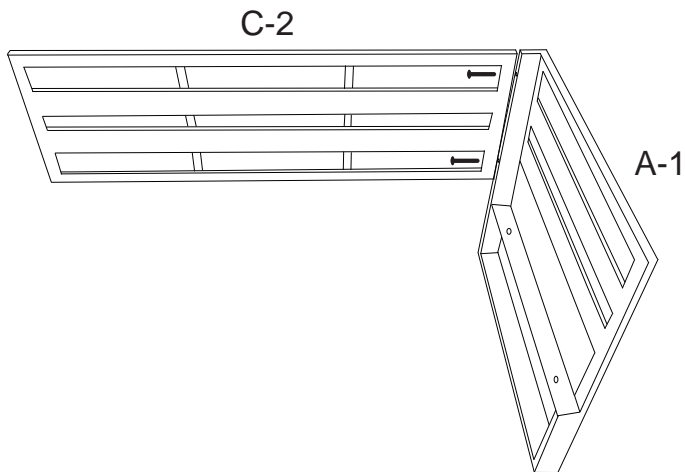
ASSEMBLY INSTRUCTION

BOX 1/2

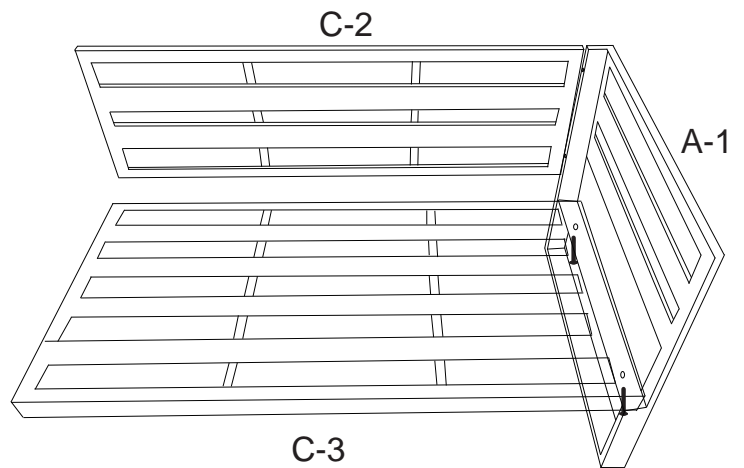
	A-1 (1pc)	C-2 (1pc)	C-3 (1pc)	A-4 (1pc)
Pic				
	M6x40 Screw (8pcs)	Washer (8pcs)		
Pic				

DO NOT tighten any screws before assemble completely .

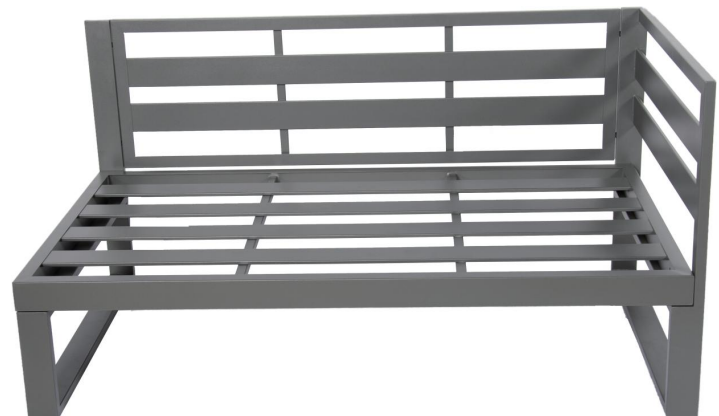
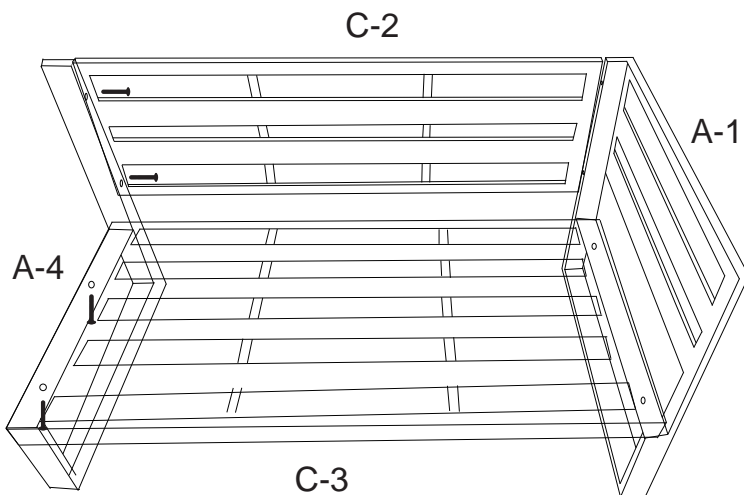
Step 1



Step 2

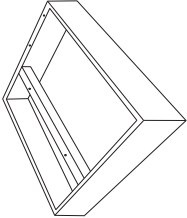

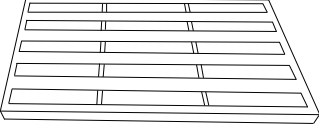
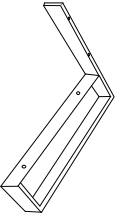




Step 3



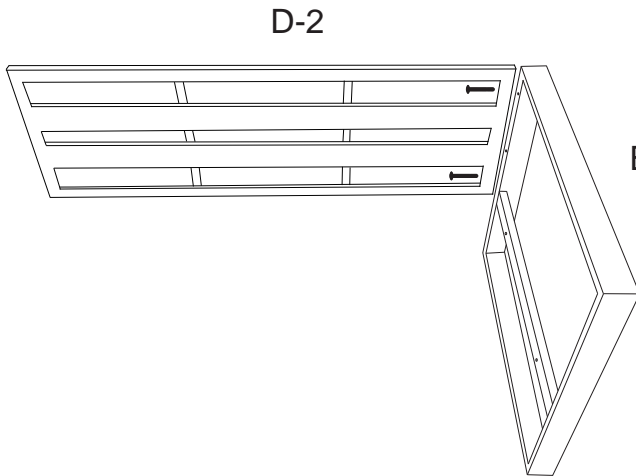
ASSEMBLY INSTRUCTION

BOX 1/2

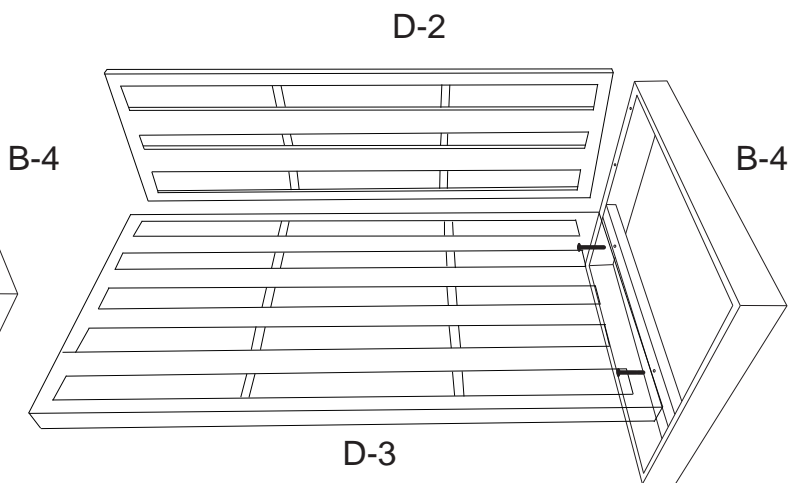
	B-4 (1pc)	D-2 (1pc)	D-3 (1pc)	A-4 (1pc)
Pic				
	M6x40 Screw (8pcs)	Washer (8pcs)		
Pic				

DO NOT tighten any screws before assemble completely .

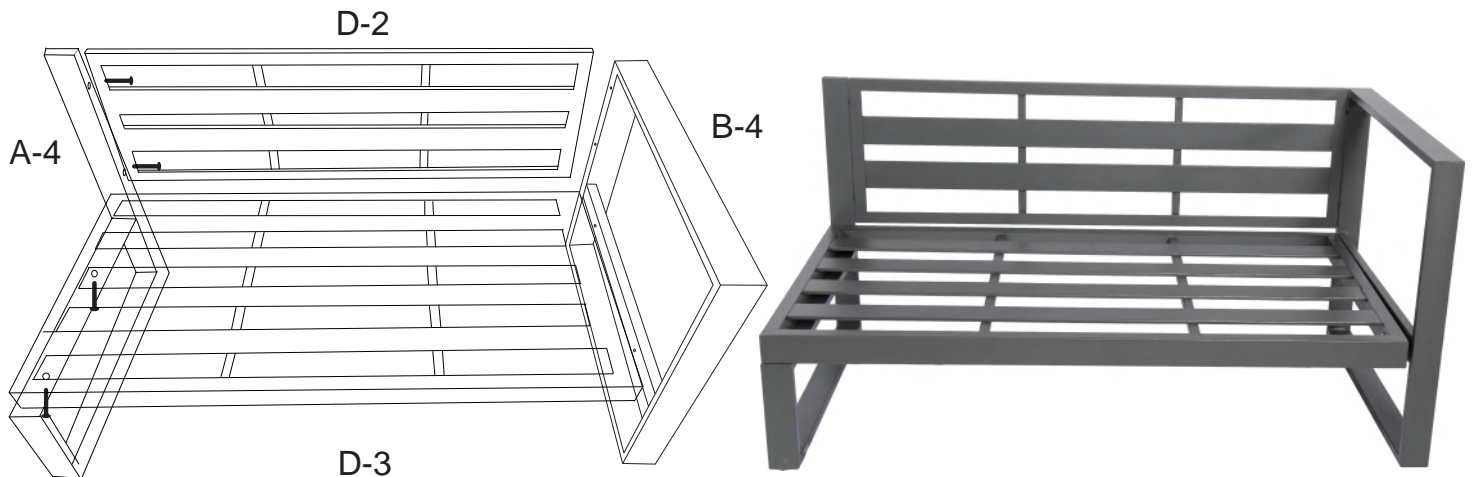
Step 1



Step 2

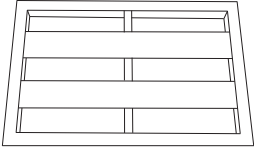





Step 3



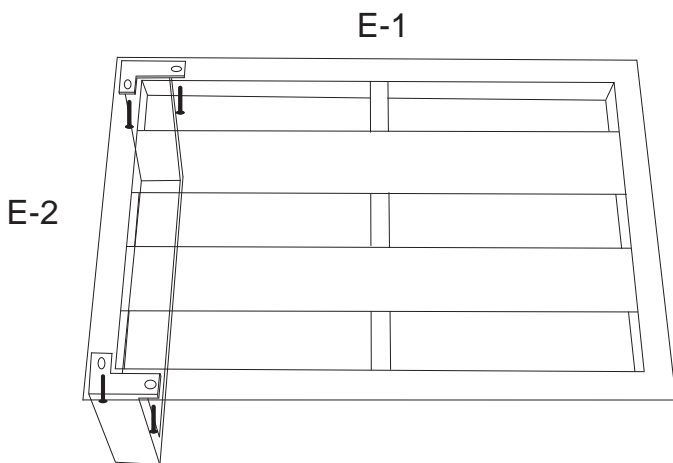
ASSEMBLY INSTRUCTION

BOX 1/2

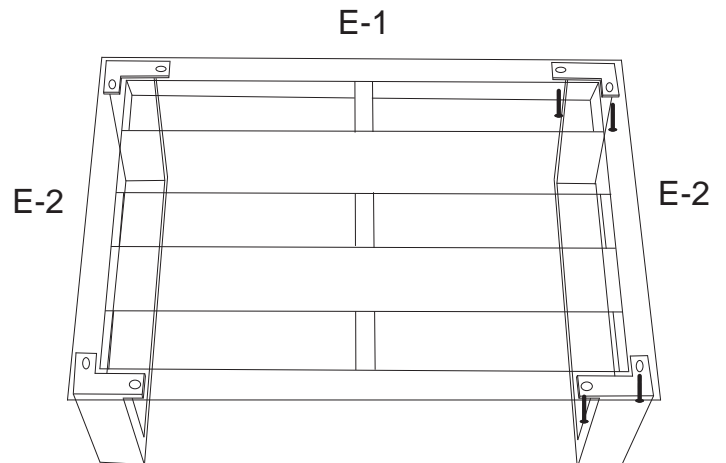
	E-1 (2pc)	E-2 (2pc)	M6x20 Screw (8pcs)	Washer (8pcs)
Pic				

DO NOT tighten any screws before assemble completely .

Step 1

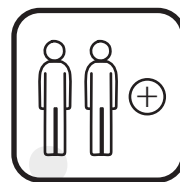


Step 2







AK03

Installation instructions



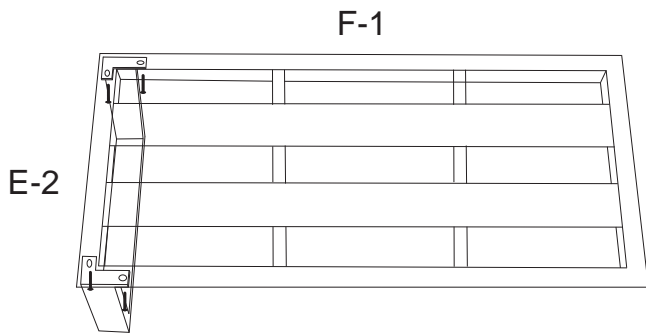
ASSEMBLY INSTRUCTION

BOX 1/2

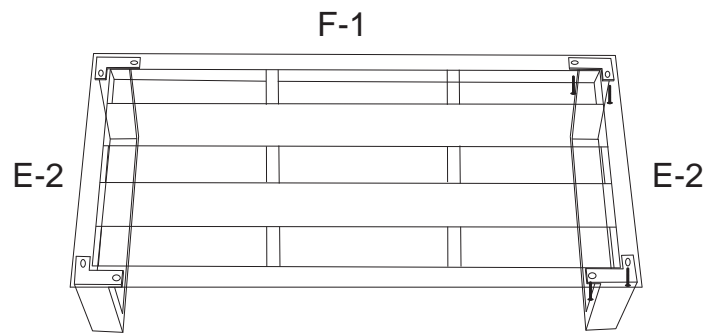
	F-1 (1pc)	E-2 (2pcs)	M6x20 Screw (8pcs)	Washer (8pcs)
Pic				

DO NOT tighten any screws before assemble completely .

Step 1

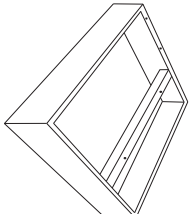
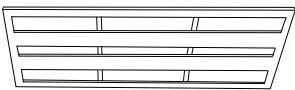
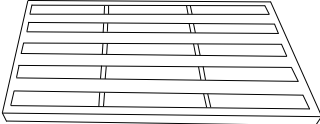
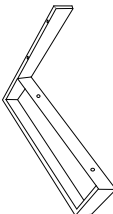




Step 2



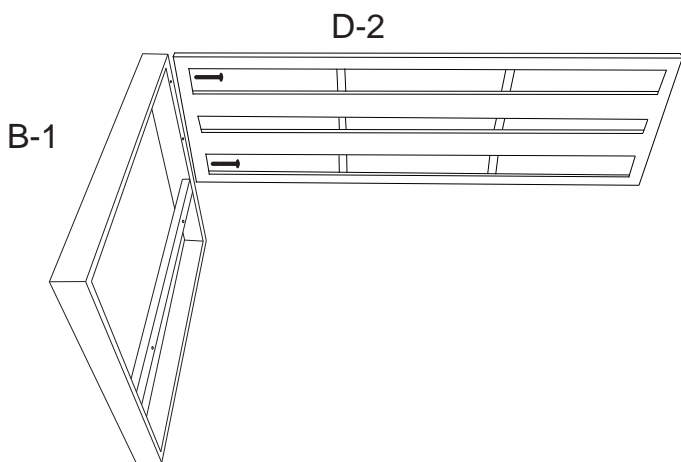
ASSEMBLY INSTRUCTION

BOX 1/2

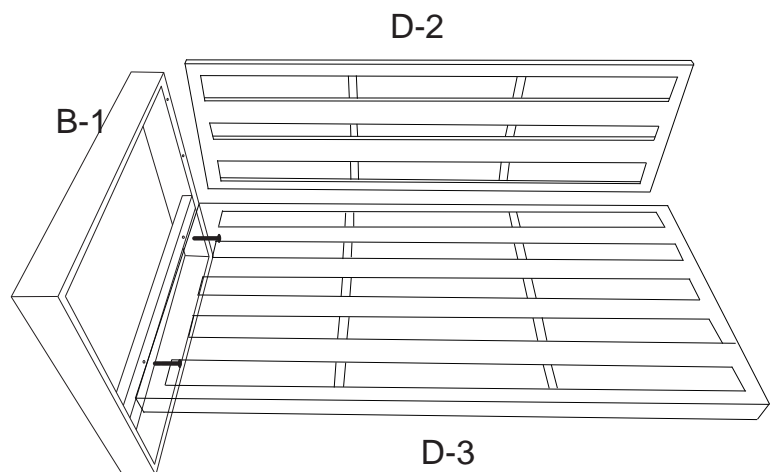
	B-1 (1pc)	D-2 (1pc)	D-3 (1pc)	C-4 (1pc)
Pic				
	M6x40 Screw (8pcs)	Washer (8pcs)		
Pic				

DO NOT tighten any screws before assemble completely .

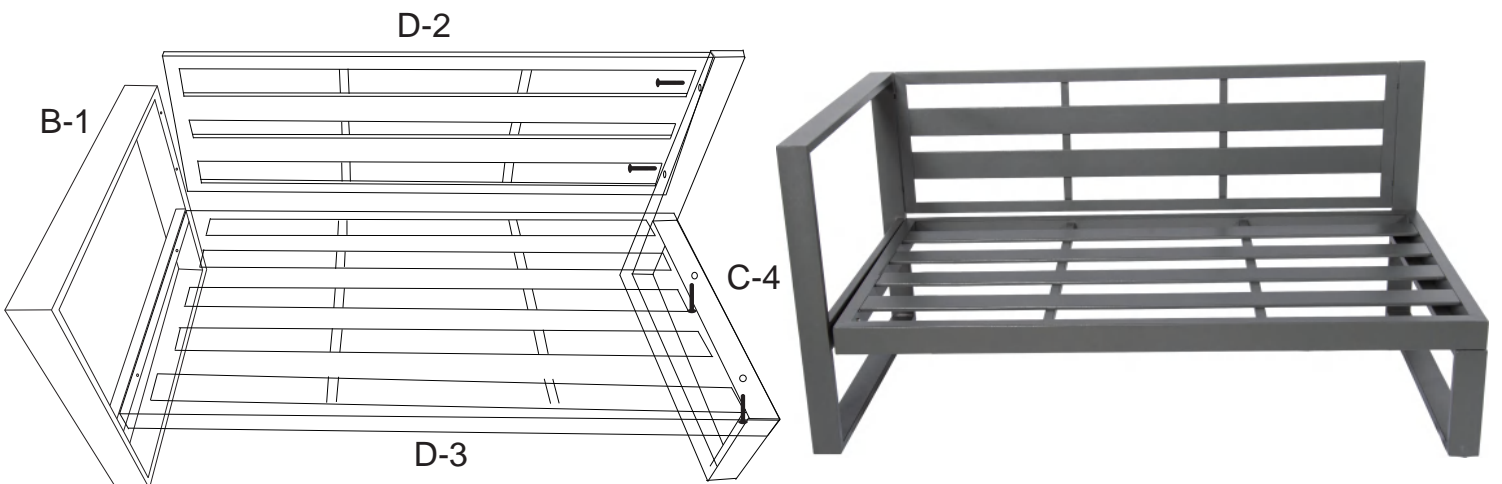
Step 1



Step 2

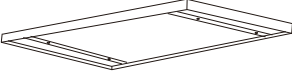
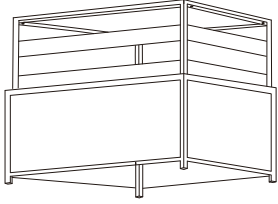




Step 3



ASSEMBLY INSTRUCTION

BOX 1/2 BOX 2/2

	I-1 (2pc)	I-2 (1pc)	M6*40 Screw (4pcs)	Washer(4pcs)
Pic				

DO NOT tighten any screws before assemble completely .

