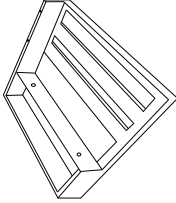
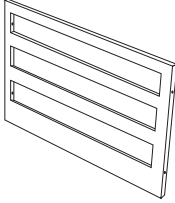
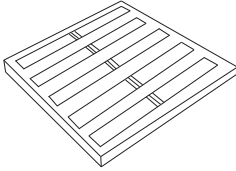
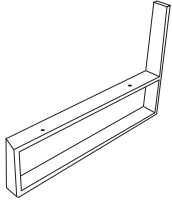





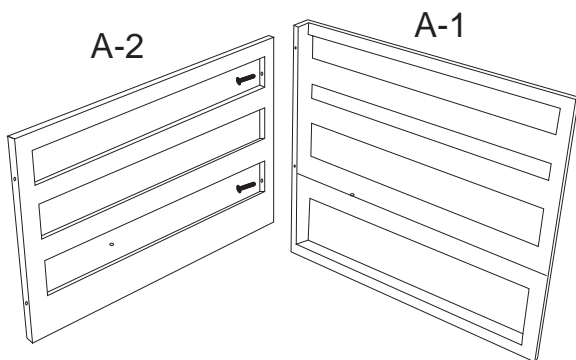
ASSEMBLY INSTRUCTION

BOX 1/1

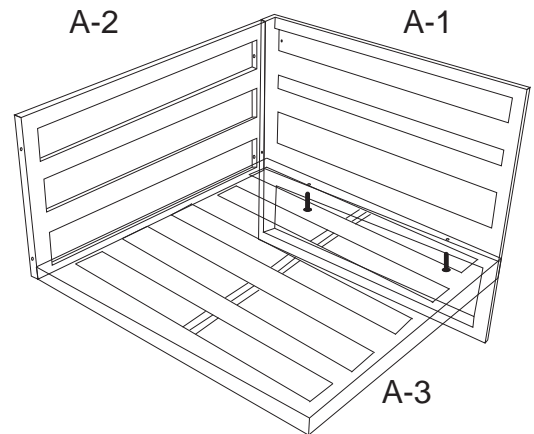
	A-1 (1pc)	A-2 (1pc)	A-3 (1pc)	A-4 (1pc)
Pic				
	M6x40 Screw (8pcs)	Washer (8pcs)	Allen Key (1pc)	
Pic				

DO NOT tighten any screws before assemble completely .

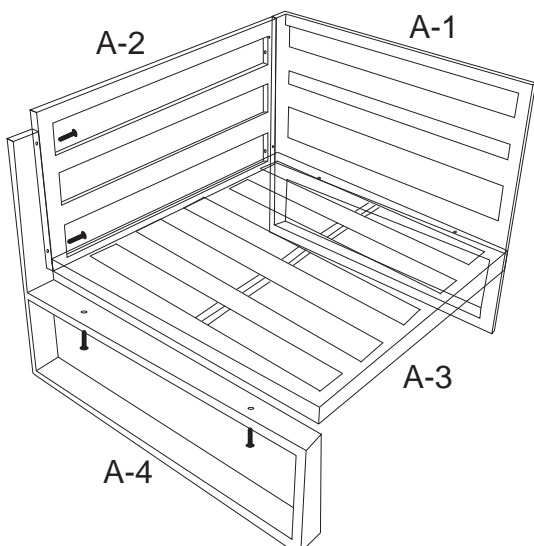
Step 1



Step 2

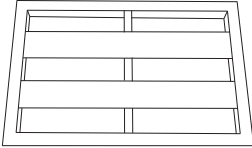





Step 3



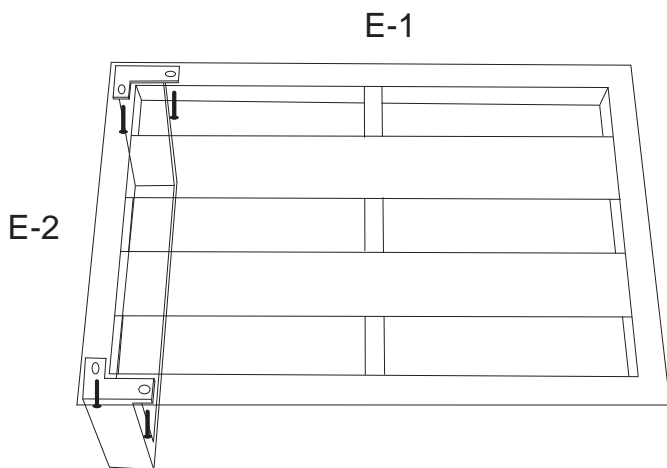
ASSEMBLY INSTRUCTION

BOX 1/1

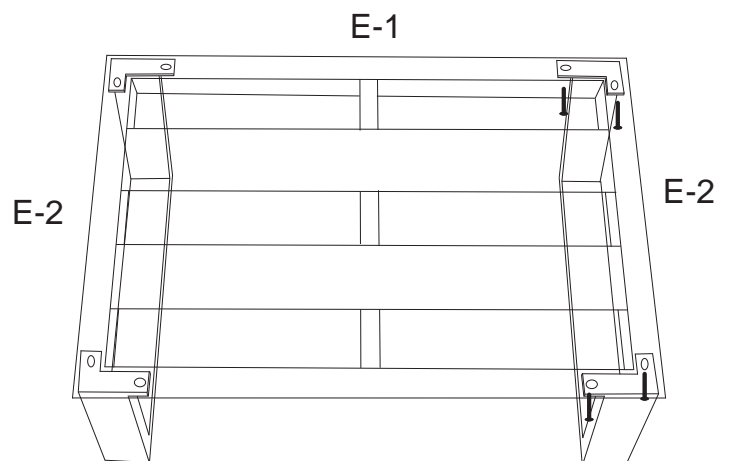
	E-1 (2pc)	E-2 (4pc)	M6x20 Screw (16pcs)	Washer(16pcs)
Pic				

DO NOT tighten any screws before assemble completely .

Step 1

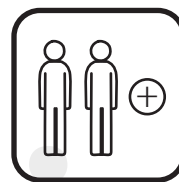


Step 2



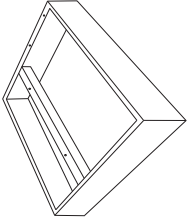
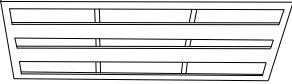
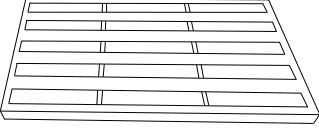
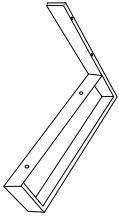


AK01

Installation instructions



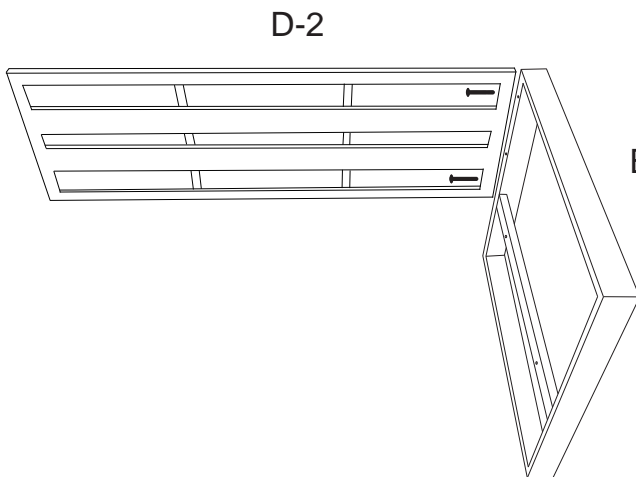
ASSEMBLY INSTRUCTION

BOX 1/1

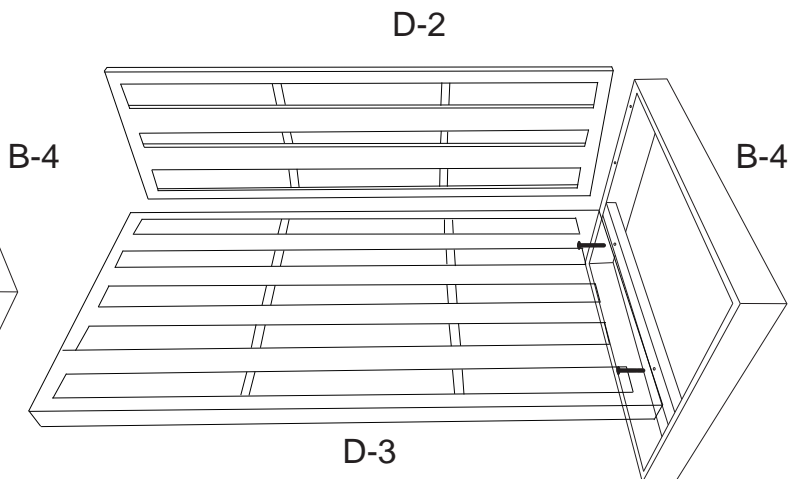
	B-4 (1pc)	D-2 (1pc)	D-3 (1pc)	A-4 (1pc)
Pic				
	M6x40 Screw (8pcs)	Washer (8pcs)		
Pic				

DO NOT tighten any screws before assemble completely .

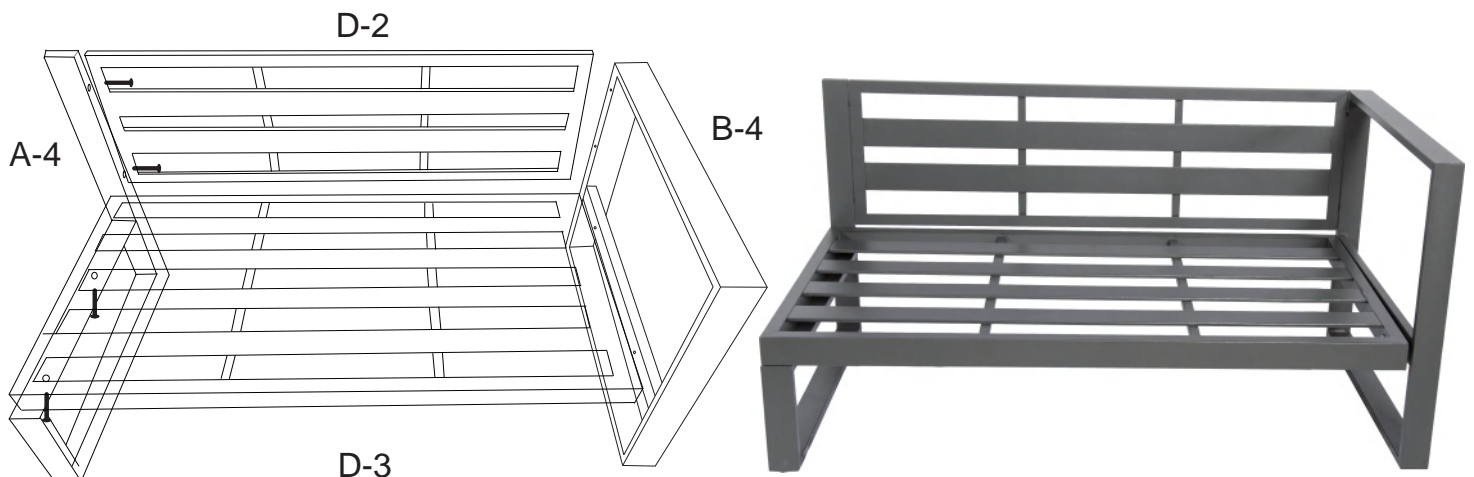
Step 1



Step 2

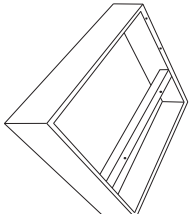
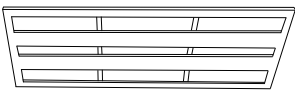
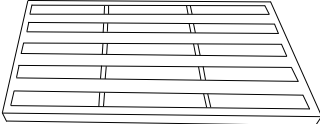
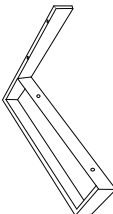




Step 3



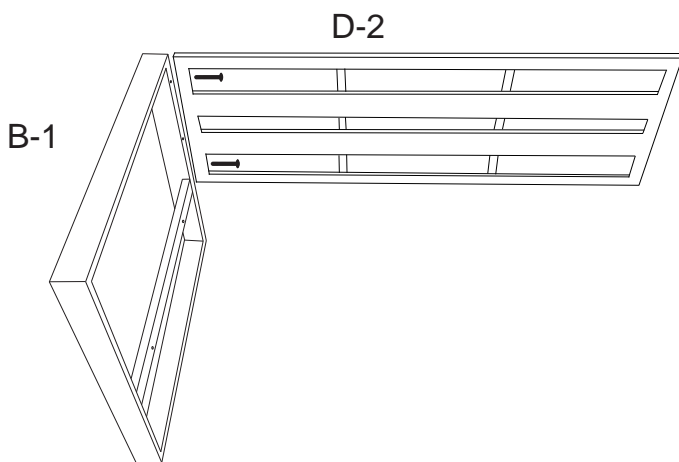
ASSEMBLY INSTRUCTION

BOX 1/1

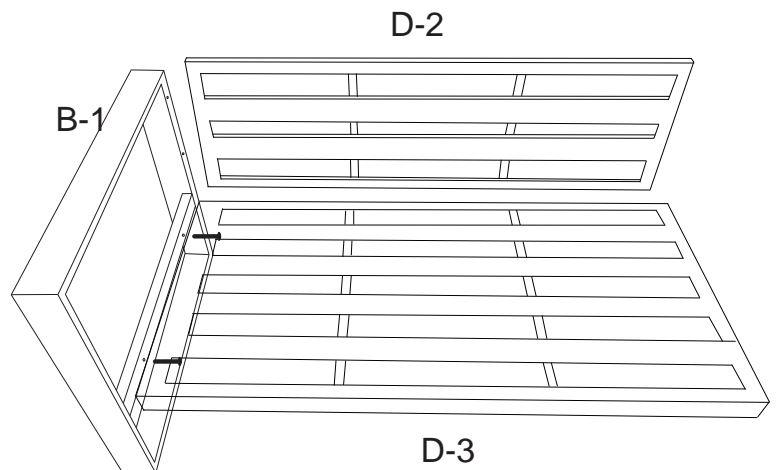
	B-1 (1pc)	D-2 (1pc)	D-3 (1pc)	C-4 (1pc)
Pic				
	M6x40 Screw (8pcs)	Washer (8pcs)		
Pic				

DO NOT tighten any screws before assemble completely .

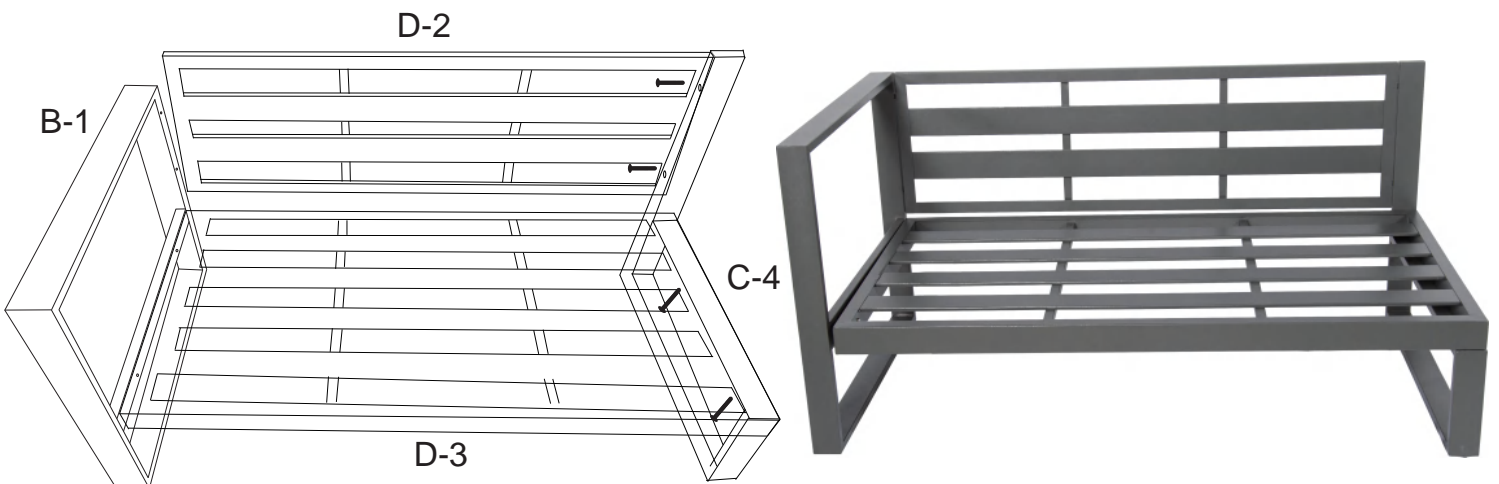
Step 1



Step 2

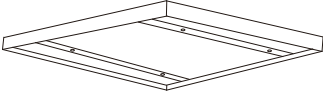
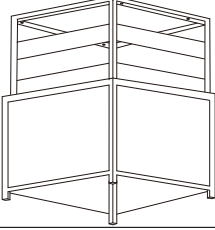




Step 3



ASSEMBLY INSTRUCTION

BOX 1/1

	H-1 (1pc)	H-2 (1pc)	M6x40 Screw (4pcs)	Washer(4pcs)
Pic				

DO NOT tighten any screws before assemble completely .

