

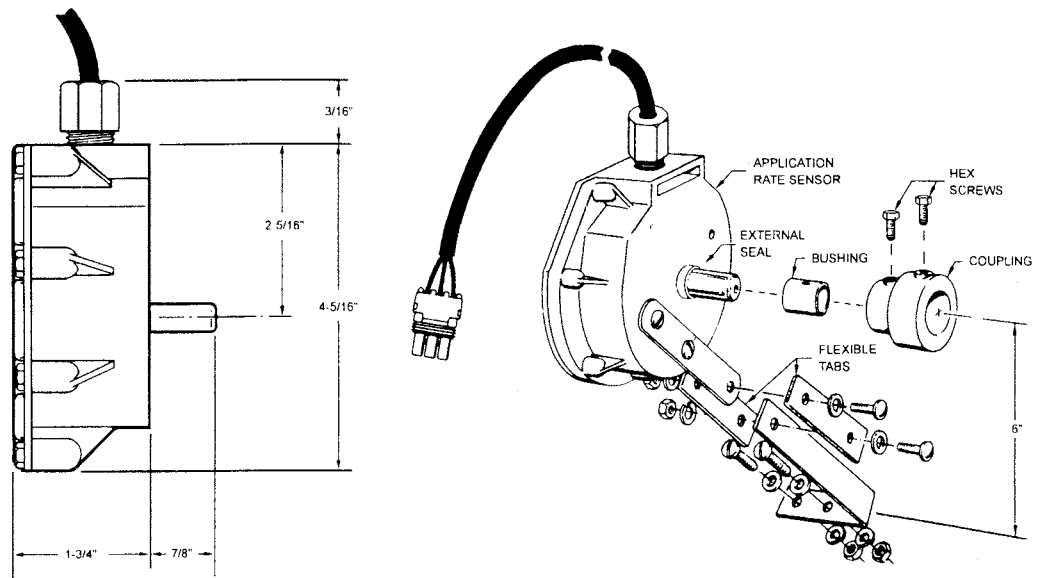
INSTALLATION INSTRUCTIONS



Application Rate Sensor

The Application Rate Sensor is to be installed on the conveyor hydraulic motor output shaft (if accessible). If not the Sensor can be installed on any shaft which rotates at a known gear ratio in relationship to the hydraulic motor speed (auger or conveyor shaft).

The application rate sensor is to be mounted "free floating" and **MUST NOT BE MOUNTED RIGIDLY**. The sensor is secured to the end of the shaft with a coupling. (The sensor is completely supported by the coupling and sensor shaft.) The mounting bracket and flexible tabs are used to prevent the sensor body from rotating.



Refer to the above illustration and install the sensor as follows:

1. Grease the end of the shaft where the coupling will be installed, then install the coupling on the shaft and secure with the hex screw provided in the installation kit.
2. Install the bushing into the coupling. **NOTE: MAKE SURE THE HOLE IN BUSHING LINES UP WITH THE HEX SCREW HOLE IN THE COUPLING.**
3. Partially fill the coupling with grease and install the sensor shaft into the bushing in the coupling. Make sure not to touch the external seal with the bushing. Secure the coupling to the sensor shaft with the other hex screw provided.
4. Install the mounting bracket and flexible tabs as shown in the illustration to prevent the sensor housing from rotating.
5. Connect the Application Rate Sensor (3-pin Weather-pack) connector to the Main Harness connector.
6. Secure the sensor cable in place using tie wraps.

CAUTION:

Route the cable where it will be protected from flying debris, sharp edges, moving gears and shafts, and at least ten inches from hot exhaust systems.

PARTS LIST

MOLDED GRANULAR APPLICATION RATE SENSOR (1:1)
MANDATORY HARDWARE KIT
(DICKY-john PART# 11004-0162)

<u>DESCRIPTION</u>	<u>QUANTITY</u>	<u>DICKY-john PART#</u>
Tab, Flexible Mounting	2	42017
Screw, Machine 8-32 x ½ SST	2	20013-0053
Washer, Flat No. 10 SST	4	20000-0082
Lockwasher, Split No. 8 SST	2	20065-0012
Nut, Hex 8-32 SST	2	20040-0008
Bushing	1	43344-0001
Set Screw, Hex Head 10-32 x ½	2	20134-0040
Bag, Plastic	1	20437-0005