

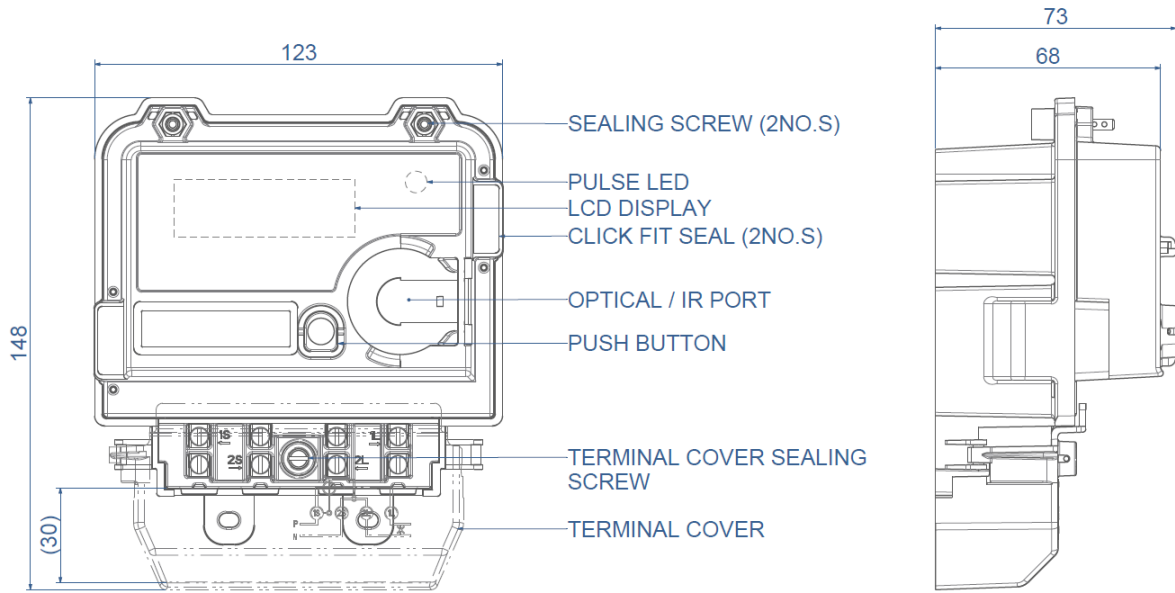


Single Phase Whole Current Energy Meter EM101+



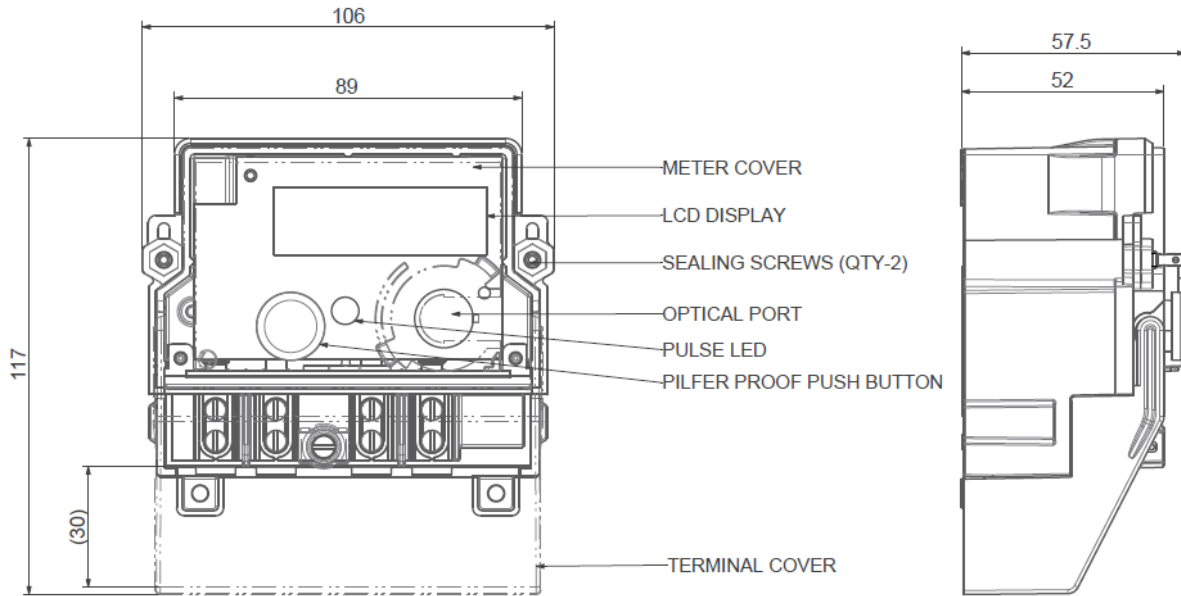
- Class 1 accuracy as per IS and IEC standards
- Indication for power on, current reversal and ELT
- Reset backups
- High surge withstand capability
- Load Survey (Interval Data)
- Anti-tamper features
- Optical port / RS 232 port/ Low Power Radio (optional)

Specifications		Display	
Connection	1 Phase 2 Wire	LCD	6 digit backlit display
Standards Applicable	IS 13779 CBIP 325 IEC 62052-11 IEC 62053-21	Display mode	Auto scroll, push button and high resolution modes
Accuracy Class	Cl 1.0	LED	Pulse LED for kWh
Rated Voltage	230V / 240V (P-N)	Other Features	
Voltage Variation	-40% to +20%		Day wise energies
Current Rating	5-20 A 5-30 A 5-60 A 10-40 A 10-60 A		Load survey profile
Starting Current	0.2% of basic current		Tariff wise energies
Accuracy up to	120% of maximum current		Display and data reading in absence of power
Frequency	50Hz		Tamper detection
Frequency Variation	-5% to +5%		Bi-directional energy recording available
Power Consumption	As per IS 13779	Data security	Multi-level password for data reading and programming
Operating Temperature	-10°C to +55°C	Communication	Electrically isolated optical port as per IEC62056-21
Ingress Protection	IP 51	Optional communication interface	RS 232 / IR / IrDA / RF (2.4 GHz/865-867 MHz)
Supported parameters (As per customer requirement)		Protocol supported	IEC / DLMS / Customer specific
Instantaneous	Voltage, Phase and neutral currents, PF, Active power and apparent power Frequency	Tamper proofing provision	Ultrasonic welding available (optional)
Energy Measurement	4 quadrant measurement of kWh and kVAh		
Maximum Demand	kW and kVA along with date and time		
Time of Day	Up to 8 registers, profiles and seasons		



FRONT VIEW

LEFT VIEW



FRONT VIEW

SIDE VIEW