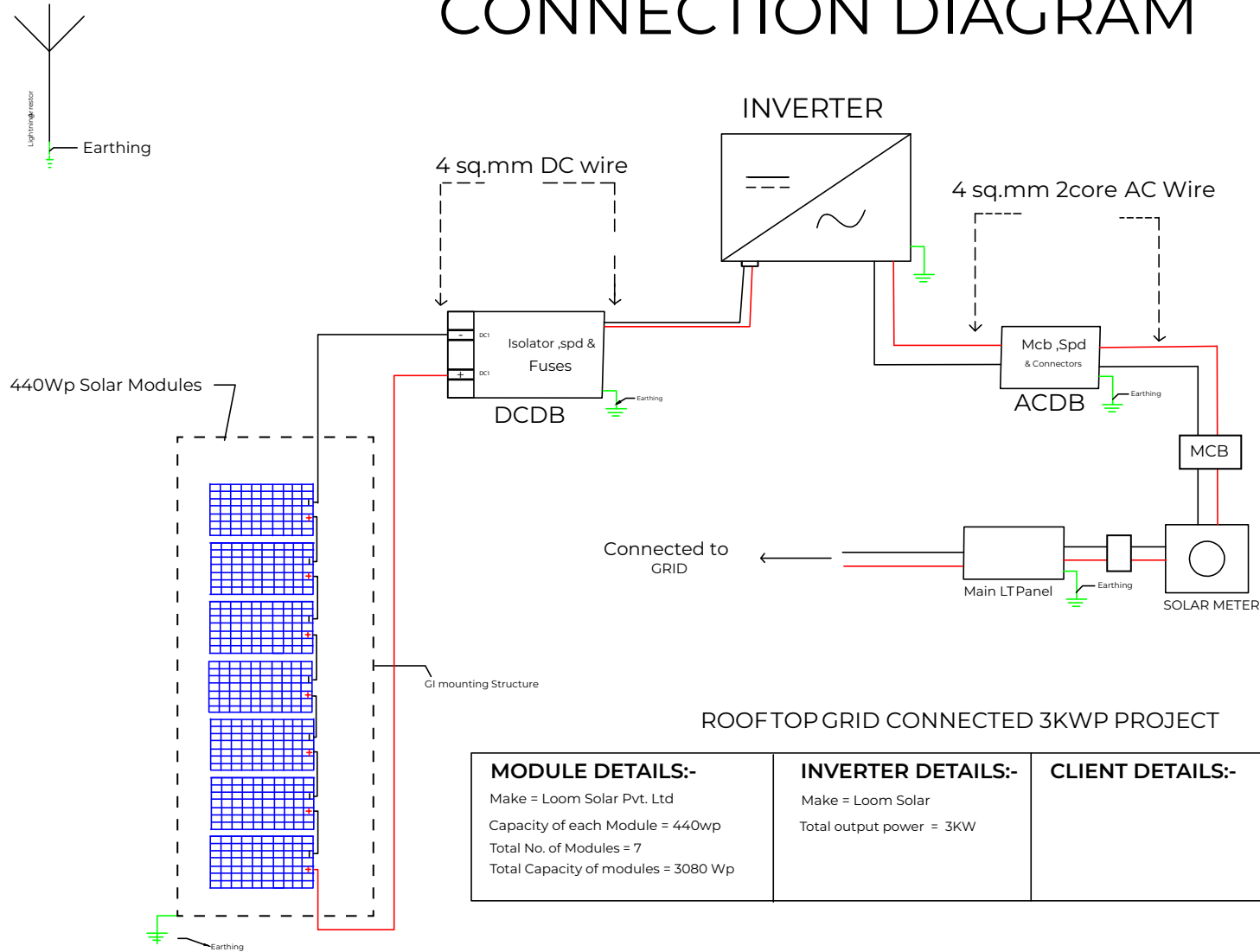


CONNECTION DIAGRAM

LOOM SOLAR



ROOFTOP GRID CONNECTED 3KW PROJECT

MODULE DETAILS:-	INVERTER DETAILS:-	CLIENT DETAILS:-	Installer Details :-
Make = Loom Solar Pvt. Ltd Capacity of each Module = 440wp Total No. of Modules = 7 Total Capacity of modules = 3080 Wp	Make = Loom Solar Total output power = 3KW		