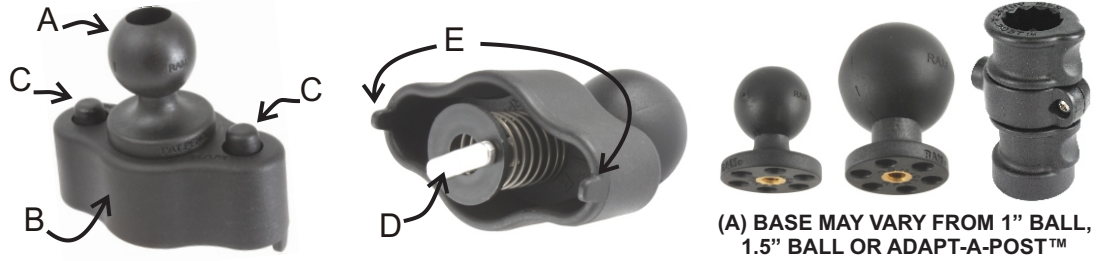


RAM® QUICK RELEASE TRACK BASE INSTALLATION (SIDE A)

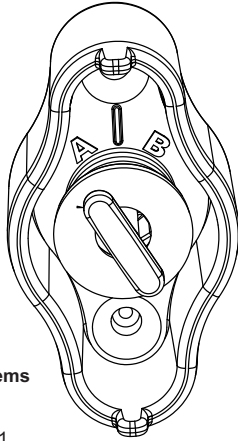
DIAGRAM INDEX

- (A). RAM BASE
- (B). QUICK RELEASE HOUSING
- (C). QUICK RELEASE BUTTONS
- (D). STEEL CENTER T-BOLT
- (E). SIDE HOUSING TABS

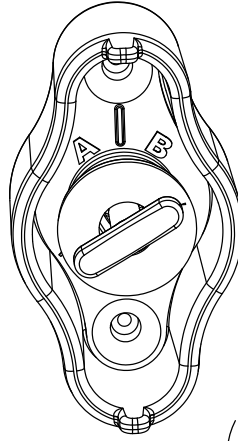


(A) BASE MAY VARY FROM 1" BALL, 1.5" BALL OR ADAPT-A-POST™

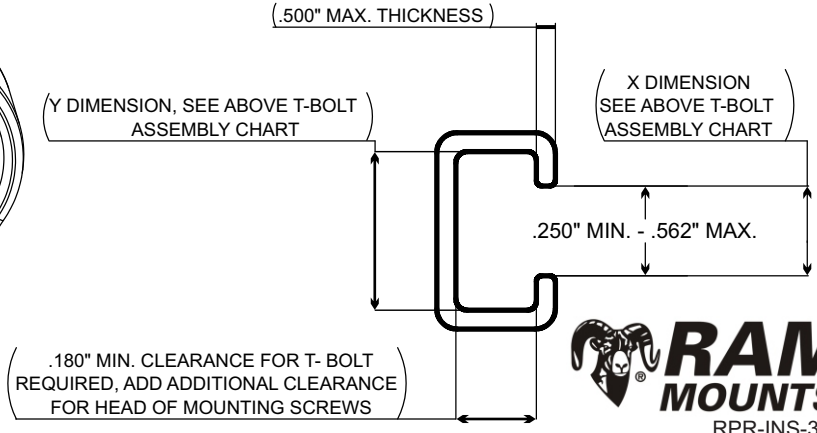
T-BOLT SHOWN ASSEMBLED IN POSITION A



T-BOLT SHOWN ASSEMBLED IN POSITION B



T-BOLT ASSEMBLY CHART		
T-BOLT POSITION	X DIMENSIONAL RANGE	Y DIMENSIONAL RANGE
A	.250" MIN. - .320" MAX	.570" MIN.
B	.250" MIN. - .562" MAX	.810" MIN.



.180" MIN. CLEARANCE FOR T-BOLT REQUIRED, ADD ADDITIONAL CLEARANCE FOR HEAD OF MOUNTING SCREWS



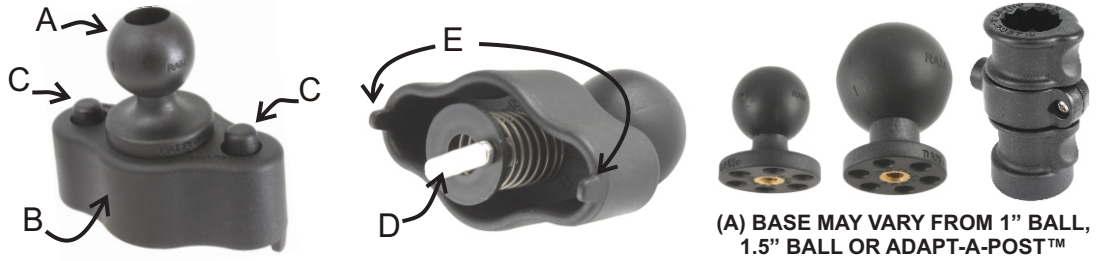
RAM Mounting Systems
 8410 Dallas Ave S
 Seattle, WA 98108
 Phone: (206) 763-8361
 Fax: (206) 763-9615
 www.rammount.com
 support@rammount.com

This document, including images, may not be reproduced partly or fully without the expressed written consent of National Products, Inc.

RAM® QUICK RELEASE TRACK BASE INSTALLATION (SIDE A)

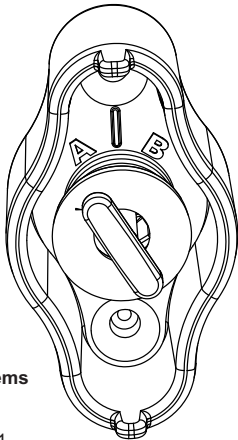
DIAGRAM INDEX

- (A). RAM BASE
- (B). QUICK RELEASE HOUSING
- (C). QUICK RELEASE BUTTONS
- (D). STEEL CENTER T-BOLT
- (E). SIDE HOUSING TABS

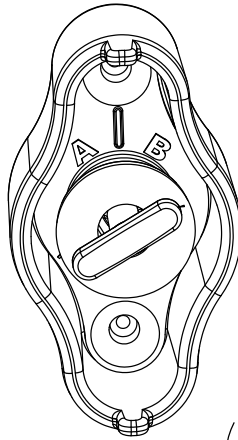


(A) BASE MAY VARY FROM 1" BALL, 1.5" BALL OR ADAPT-A-POST™

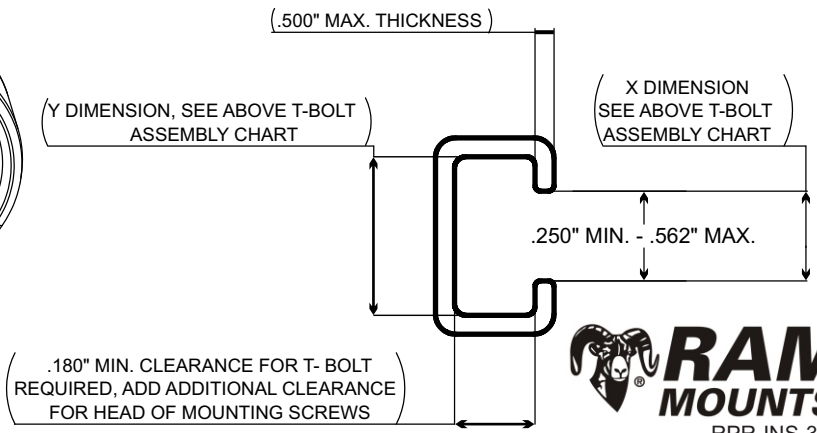
T-BOLT SHOWN ASSEMBLED IN POSITION A



T-BOLT SHOWN ASSEMBLED IN POSITION B



T-BOLT ASSEMBLY CHART		
T-BOLT POSITION	X DIMENSIONAL RANGE	Y DIMENSIONAL RANGE
A	.250" MIN. - .320" MAX	.570" MIN.
B	.250" MIN. - .562" MAX	.810" MIN.



.180" MIN. CLEARANCE FOR T-BOLT REQUIRED, ADD ADDITIONAL CLEARANCE FOR HEAD OF MOUNTING SCREWS



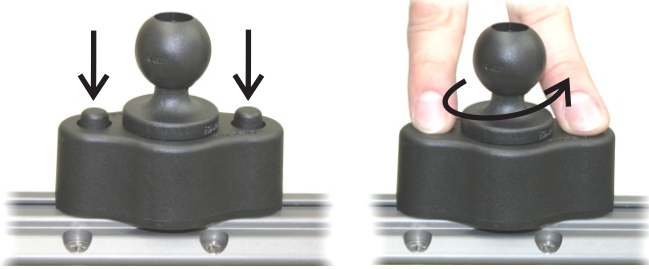
RAM Mounting Systems
 8410 Dallas Ave S
 Seattle, WA 98108
 Phone: (206) 763-8361
 Fax: (206) 763-9615
 www.rammount.com
 support@rammount.com

This document, including images, may not be reproduced partly or fully without the expressed written consent of National Products, Inc.

RAM® QUICK RELEASE TRACK BASE INSTALLATION (SIDE B)

1. LOOSENING AND ADJUSTING QUICK RELEASE BASE

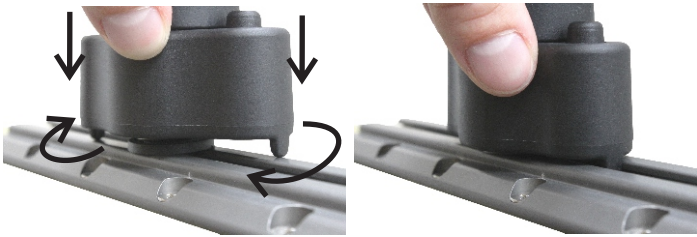
PRESS AND HOLD (C) BUTTONS, TURN (A) BASE COUNTER-CLOCKWISE TO LOOSEN. (D) T-BOLT SHOULD NOT PROTRUDE MORE THAN 3/4" FROM (B) HOUSING.



2. POSITION (D) T-BOLT INSIDE TRACK SLOT. (E) SIDE TABS WILL REST OUTSIDE THE TRACK SLOT.



3. WHILE GENTLY PRESSING DOWNWARD, TURN (B) HOUSING TO ALLOW (E) SIDE TABS TO SEAT INTO TRACK SLOT.



4. DETERMINE DESIRED LOCATION OF (A) BASE ALONG YOUR TRACK, AND WHILE HOLDING (B) HOUSING IN PLACE, TURN (A) BASE CLOCKWISE TO TIGHTEN. (C) BUTTONS MUST BE FULLY PROPPED UP WHEN SECURED.



TO ADJUST OR REMOVE QUICK RELEASE TRACK BASE, SEE STEP 1 TO LOOSEN AS NEEDED.

RAM Mounting Systems
8410 Dallas Ave S
Seattle, WA 98108
Phone: (206) 763-8361
Fax: (206) 763-9615
www.rammount.com
support@rammount.com

IF YOU ARE UNABLE TO TURN THE HOUSING, THE BASE IS TIGHTENED DOWN TOO FAR. SEE STEP 1 TO GRADUALLY LOOSEN AS NEEDED.

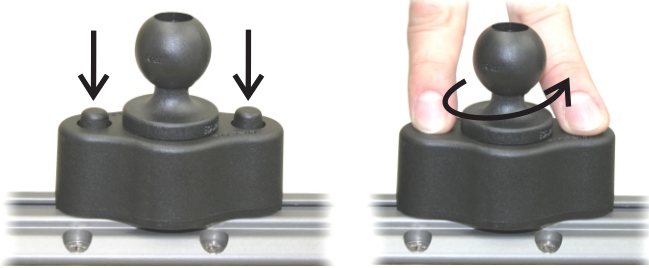
RAM
MOUNTS
RPR-INS-383

This document, including images, may not be reproduced partly or fully without the expressed written consent of National Products, Inc.

RAM® QUICK RELEASE TRACK BASE INSTALLATION (SIDE B)

1. LOOSENING AND ADJUSTING QUICK RELEASE BASE

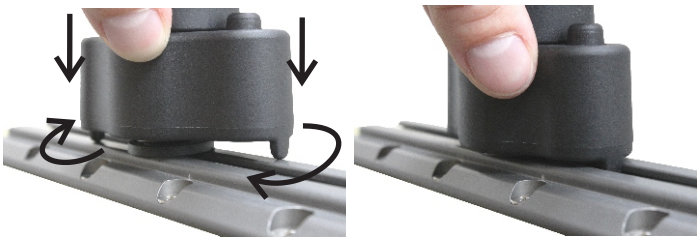
PRESS AND HOLD (C) BUTTONS, TURN (A) BASE COUNTER-CLOCKWISE TO LOOSEN. (D) T-BOLT SHOULD NOT PROTRUDE MORE THAN 3/4" FROM (B) HOUSING.



2. POSITION (D) T-BOLT INSIDE TRACK SLOT. (E) SIDE TABS WILL REST OUTSIDE THE TRACK SLOT.



3. WHILE GENTLY PRESSING DOWNWARD, TURN (B) HOUSING TO ALLOW (E) SIDE TABS TO SEAT INTO TRACK SLOT.



4. DETERMINE DESIRED LOCATION OF (A) BASE ALONG YOUR TRACK, AND WHILE HOLDING (B) HOUSING IN PLACE, TURN (A) BASE CLOCKWISE TO TIGHTEN. (C) BUTTONS MUST BE FULLY PROPPED UP WHEN SECURED.



TO ADJUST OR REMOVE QUICK RELEASE TRACK BASE, SEE STEP 1 TO LOOSEN AS NEEDED.

RAM Mounting Systems
8410 Dallas Ave S
Seattle, WA 98108
Phone: (206) 763-8361
Fax: (206) 763-9615
www.rammount.com
support@rammount.com

IF YOU ARE UNABLE TO TURN THE HOUSING, THE BASE IS TIGHTENED DOWN TOO FAR. SEE STEP 1 TO GRADUALLY LOOSEN AS NEEDED.

RAM
MOUNTS
RPR-INS-383

This document, including images, may not be reproduced partly or fully without the expressed written consent of National Products, Inc.