

Specifications

Placement

Passenger side on the floor, in front seat

Seat Configuration

Bucket/Split bench

Drilling Required

None - uses existing seat bolts.

Construction/Finish

Steel/Black powder coat

Dimensions

(A) 14.75" (B) 3.8" (C) 1.75"
(Hole Center) 13.25"

Pole or Pedestal

Purchased separately
Depending on kit sold, 4" or adjustable riser
included for better positioning of pedestal

Weight

2.1 lbs.

Features

Installs in minutes with no drilling required

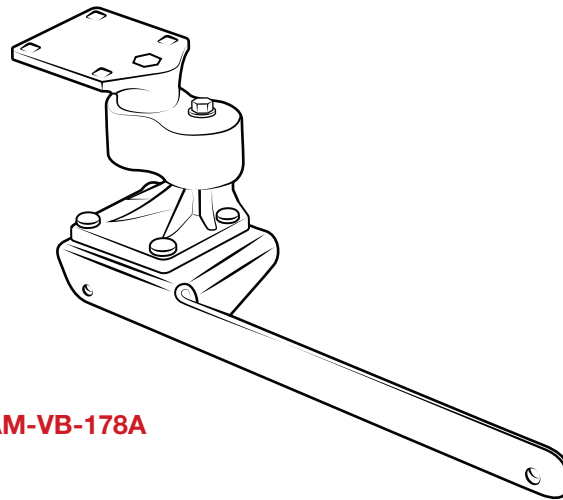
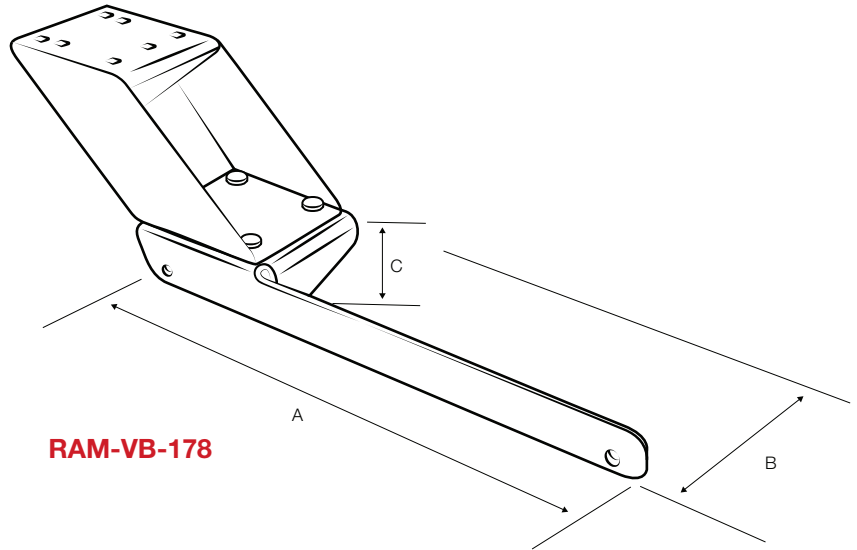
Low profile keeps mount away from passenger leg space

Won't interfere with levers or factory-installed console or 4WD lever

Designed to accommodate trucks with PTO or under seat air duct

Rock solid construction

Lifetime warranty



RMR-INS-VB-178



Safety Precaution

Do not install this product near or over an airbag deployment area or in a location that obstructs the driver's vision or interferes with vehicle operation. National Products, Inc does not assume responsibility or liability for any such personal injury, death or property damage.

Installation Instructions

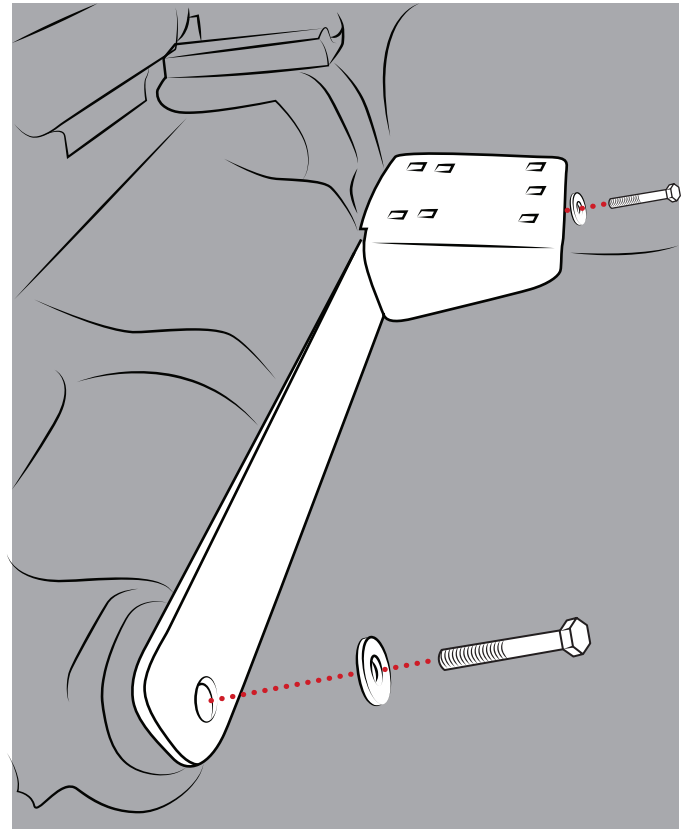
Note that on some trim levels a plastic cover blocks access to the outermost seat leg bolt. This cover has to be removed and stored for installation into Crew or Quad cab models. It can be put back in place after installation on standard cab models. For 2012 model years and newer, the use of the adjustable riser sold in the RAM-VB-178A series kit is suggested to better position the upper pole assembly near the center hump/console.

Regular and extended cab models

- 1 Move the passenger seat back to its rear-most position and remove the two front seat rail bolts on the passenger side using the 15MM socket. These pass through the seat frame legs into the floor board.
- 2 Without moving the seat, place the RAM® No-Drill™ base over the front of the seat frame legs.
- 3 Align the holes in the base with those of the seat frame legs. The pedestal platform should be near the console.
- 4 Re-install the seat bolts and fully tighten.

Crew or quad cab models with under seat air duct

- 1 Move the passenger seat back to its rearmost position and remove the two front seat rail bolts on the passenger side using the 15MM socket. Store these so that they can be reinstalled should the laptop stand be removed later.
- 2 This kit comes with 2 small stand-offs shaped like short sections of pipe, two longer seat leg bolts, and two flat washers. Pass the bolts through the flat washers and then each through the holes on the RAM® No-Drill™ base.
- 3 Place the stand off over the hole in the seat frame leg. The stand off goes in between the seat frame leg and the RAM® No-Drill™ base providing a gap to clear the under seat air duct in some vehicle models.
- 4 With the stand off in place and the bolt now passing through the stand off, start the thread by hand on each bolt.
- 5 Once the bolt is started, use the 13MM socket to fully tighten the seat leg bolt.



RMR-INS-VB-178



Safety Precaution

Do not install this product near or over an airbag deployment area or in a location that obstructs the driver's vision or interferes with vehicle operation. National Products, Inc does not assume responsibility or liability for any such personal injury, death or property damage.