

**Item Number**  
RAM-VB-168

# RAM No-Drill™ Seat Bases

RAM Mounting Systems

**Vehicle base for the  
Freightliner, International, Kenworth, Peterbilt,  
and Volvo Trucks**

## SPECIFICATIONS

### Placement

NOTE THAT FLOOR MUST BE FLAT  
UNDER SEAT FOR THIS BASE TO  
INSTALL PROPERLY.

Passenger side of cab between seat frame  
and cab floor. Pedestal platform should  
extend from inner rear of passenger seat.

### Drilling Required

No - uses existing seat bolts

### Seat Configuration

Bucket/Bench

### Construction/Finish

Steel/Black Powder Coat

### Pole or Pedestal

Purchased Separately

### Weight

10.85 lbs.

## Features

Installs in minutes with no drilling required  
Won't interfere with passenger leg space

## Misc.

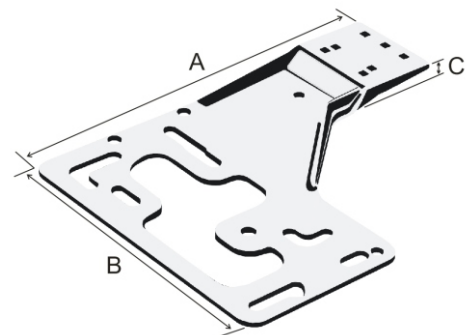
If the heater box is under the seat, the installer may need to drill holes in the  
base to accommodate vehicle mounting holes or studs. Also, the heater box  
may cause the system to sit higher than normal. Pole may be cut down by  
installer to lower kit. This will not void the warranty.

### RAM Mounting Systems

8410 Dallas Ave S  
Seattle, WA 98108  
Phone: (206) 763-8361  
Fax: (206) 763-9615  
www.rammount.com  
support@rammount.com



Shown In Use



RAM-VB-168



RMR-INS-VB-168

**Item Number**  
RAM-VB-168

**RAM No-Drill™ Seat Bases**  
RAM Mounting Systems

**Vehicle base for the  
Freightliner, International, Kenworth, Peterbilt, and Volvo Trucks**

**INSTALLATION INSTRUCTIONS**

Please note that the cab floor must be flat for this base to install. Sloped floors or floors with a center hump will not accommodate this product. For some truck and seat types, it may be necessary to drill additional holes in the base to accommodate existing vehicle hardware and mounting points.

1. Depending on vehicle make / model, remove either the nuts or bolts holding the passenger side seat to the cab floor and set these aside.
2. Remove the seat from the installation area. If air ride, be careful of damaging air lines or wiring associated with air pump or seat safety features.
3. Place the No Drill™ base over the holes or mounting studs that are now accessible on the cab floor. Note that the platform for the pedestal should be positioned to the inside rear of the passenger seat when completed. This will put the pedestal between the passenger and drivers seat upon completion.
4. Replace the passenger side seat by sitting it over the top of the No Drill™ base making sure that the studs or holes in the seat frame, No Drill™ base, and floor board are aligned.
5. Re-install the factory nuts or bolts and securely fasten.

**RAM Mounting Systems**  
8410 Dallas Ave S  
Seattle, WA 98108  
Phone: (206) 763-8361  
Fax: (206) 763-9615  
www.rammount.com  
support@rammount.com



RMR-INS-VB-168