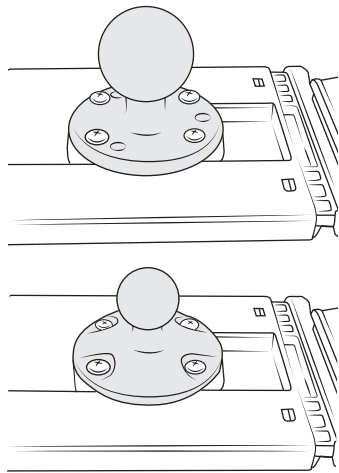
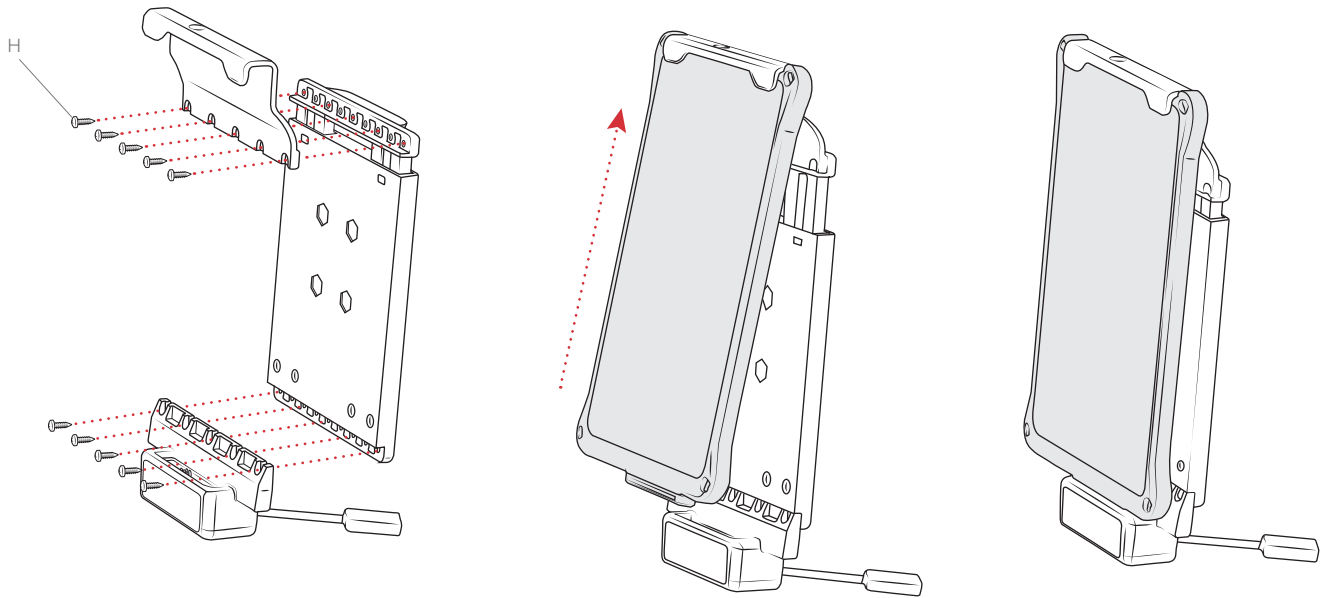
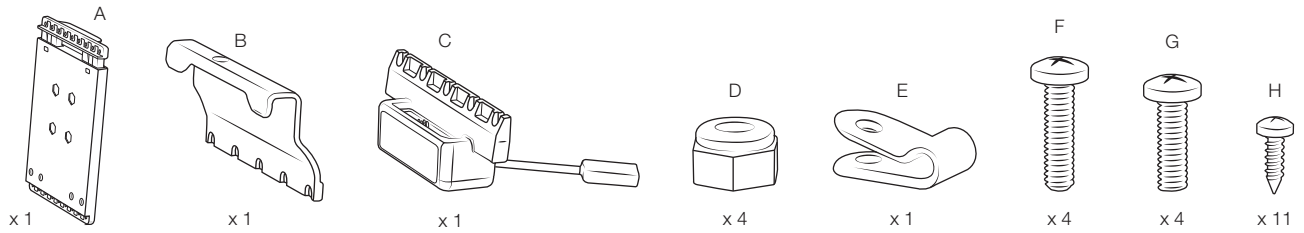


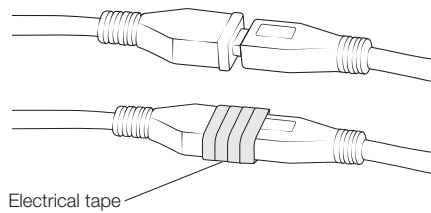
Parts Index

not to scale

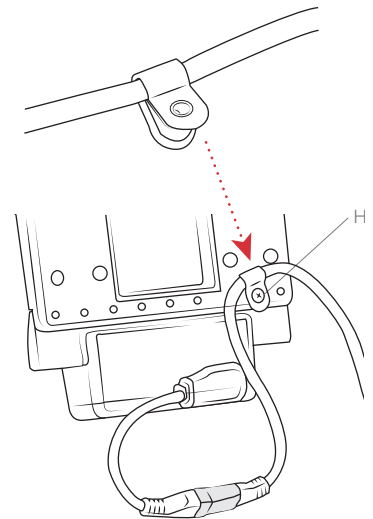


Use (F or G) Screws and (D) Nuts to attach vehicle dock to any RAM® mounting system, depending on the type of component used.

For open cockpit or outdoor use, it is recommended to apply electrical tape to your USB connection.



Electrical tape



RPR-INS-GDS-DOCK-V2



Safety Precaution

Do not install this product near or over an airbag deployment area or in a location that obstructs the driver's vision or interferes with vehicle operation. National Products, Inc does not assume responsibility or liability for any such personal injury, death or property damage.