



rammount.com
1.800.499.7479
support@rammount.com



RAM® Powered Dock
for Panasonic FZ-N1 & FZ-F1
RAM-HOL-PAN11PU
RAM-HOL-PAN11PKLU
RAM-HOL-PAN11PCLU

Owner's Manual

READ BEFORE INSTALLING

Thank you for choosing the RAM® Powered Dock for the Panasonic FZ-N1 & FZ-F1. This holder is ideal for creating a mobile workstation wherever you go. Read all instructions thoroughly before beginning installation. For additional questions and concerns that may not be covered in this manual, please contact RAM® Mounts support at rammount.com/support.

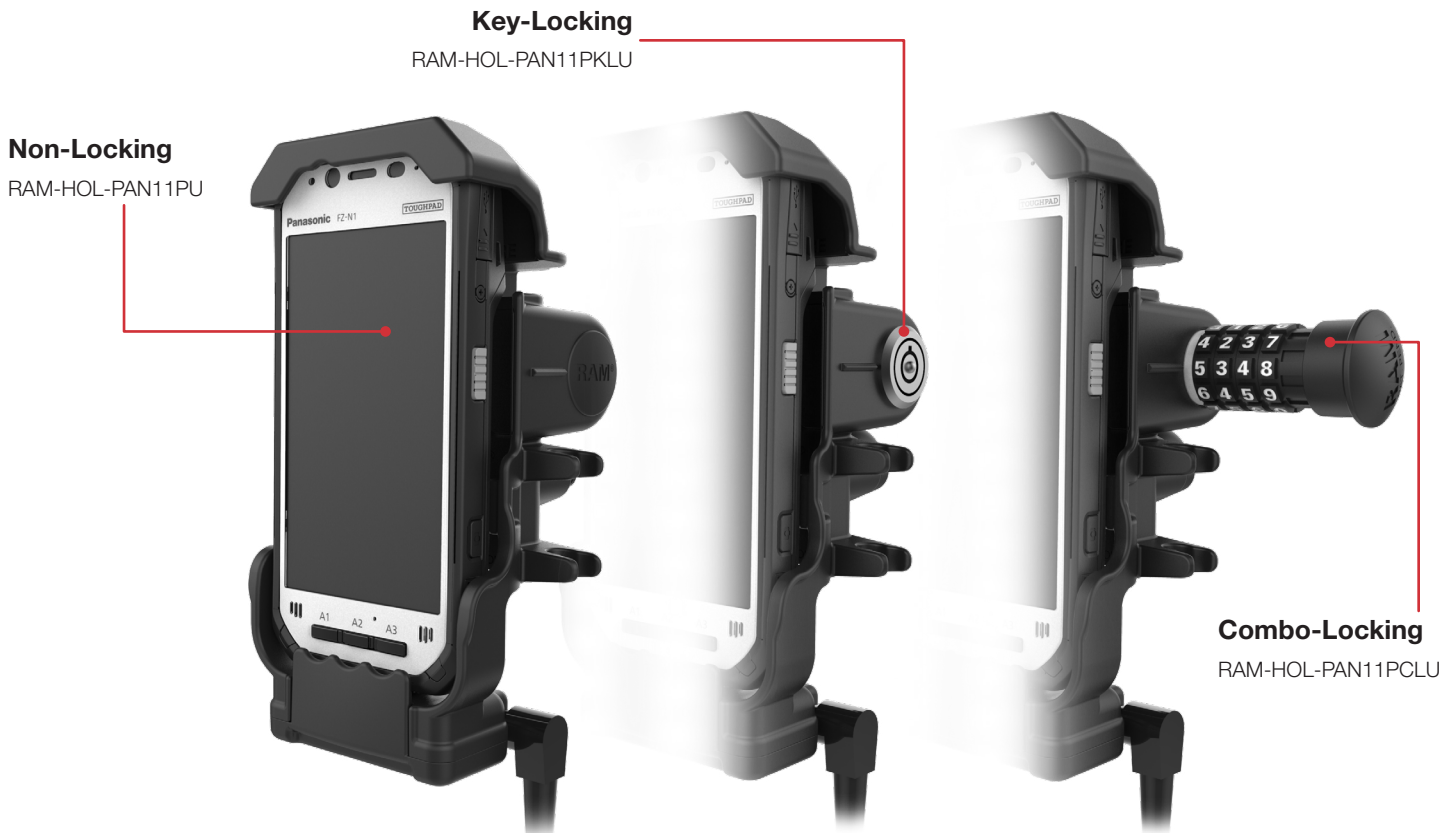


Safety Precaution

Do not install this product near or over an airbag deployment area or in a location that obstructs the driver's vision or interferes with vehicle operation. National Products, Inc does not assume responsibility or liability for any such personal injury, death or property damage.

To see more mounting options, visit RamiMount.com

This document, including images, may not be reproduced partly or fully without the expressed written consent of National Products, Inc.



rammount.com
1.800.499.7479
support@rammount.com

ASSEMBLY

Part Index

*not to scale



MOUNTING OPTIONS

RAM® Double Socket Arm
RAM-201U

RAM® Diamond Ball Base
RAM-238U

Compatible with all RAM® Powered Docks for the Panasonic FZ-N1; ball and socket technology allows for near-infinite adjustability and mounting options.



RAM® Diamond Ball RAM® Square Post Clamp
RAM-247U-4

This clamping base is ideal for forklifts and square posts up to 4" in width; made of powder-coated, marine-grade aluminum with stainless steel hardware.



RAM® Double U-Bolt Ball Base
RAM-235-1U

This base includes zinc-coated double U-bolt hardware to support any round rail from 1.25" to 1.5" in diameter.



RAM® Tough-Claw™
RAP-404U

Available in alternate sizes, this RAM® Tough-Claw™ can clamp to rails ranging from 1" to 1.875" in diameter without the use of any tools. Quickly tighten and loosen the knob to connect to any rail or transfer to alternate mounting locations easily.



View hundreds of interchangeable mounting components available at rammount.com/components



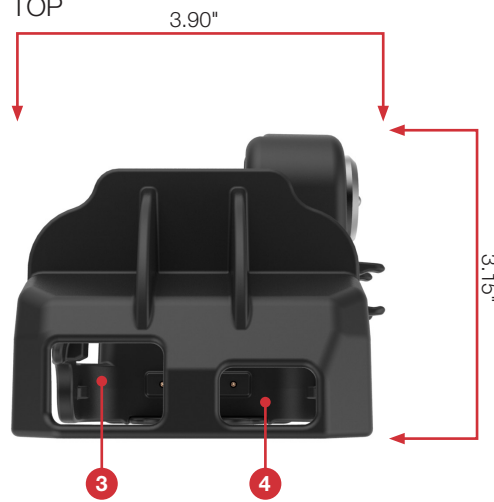
rammount.com
1.800.499.7479
support@rammount.com

PRODUCT OVERVIEW

FRONT



TOP



BACK



SIDE



1. Hardware attachment point
2. Guide for device
3. Clearance for headset jack
4. Clearance for power button
5. Spring loaded top cup
6. Cable Retention Option
7. Pogo pins
8. Locking Mechanism
9. Stylus holder
10. Power cable

DOCKING THE DEVICE

1 Insert top of device, pushing upward on the top cup to expand the dock a minimum of 7.85 inches.



2 Push the back of the device flat against the cradle.



3 Carefully release unit so it makes contact with pogo pins.



If pogo pins are damaged in any way, please do not use the cradle! PCB must be immediately replaced to prevent damage to your device and cradle electronics.



To remove the device simply reverse the above directions



rammount.com
1.800.499.7479
support@rammount.com

HANDLING CAUTIONS



Pinching Hazard

The cradle is spring loaded and may snap closed, pinching the skin of your hand if not careful. Avoid close contact with the top cup of cradle.

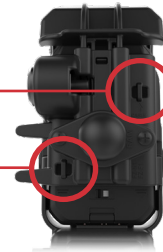


Avoid Hand Strap Interference

Ensure hand strap or anything external is not in contact with the pogo pins. This can damage them and disable the holder's charging capabilities.

Charging Cord Placement

Charging cord must be zip-tied to the back of the cradle to prevent unnecessary strain to the connection point on the holder.



COMBINATION LOCK

Unlock Mode

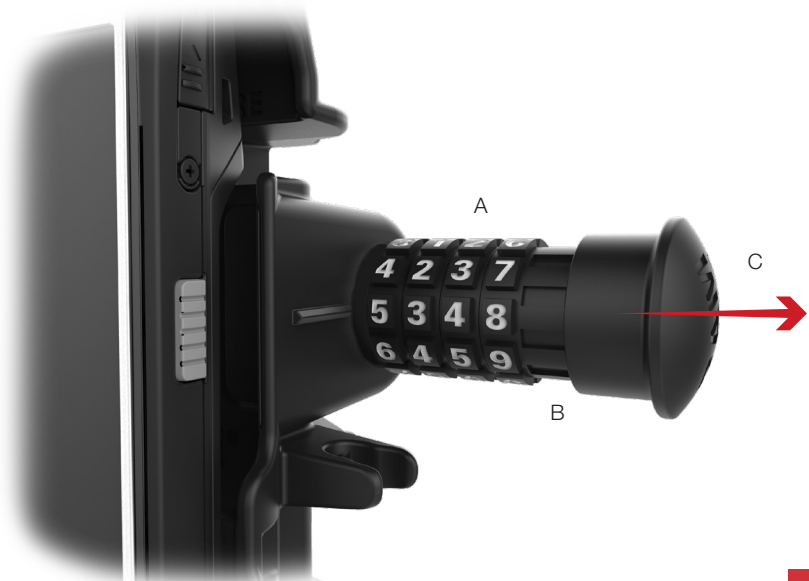
To unlock, align factory preset combination, or current combination (A), and pull plunger (C) outward away from notched ring (B).

Plunger IN: Device latch will be locked in position

Plunger OUT: Latch will be loose

Changing Lock Combination

- 1 Set lock to unlock mode (see above), with plunger pulled outward.
- 2 Rotate notched ring until it stops.
- 3 Set new combination.
- 4 Rotate notched ring back to original position. New combination will be set.



rammount.com
1.800.499.7479
support@rammount.com