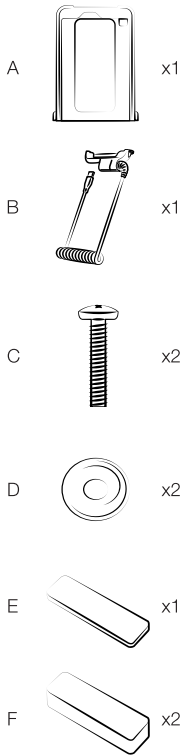
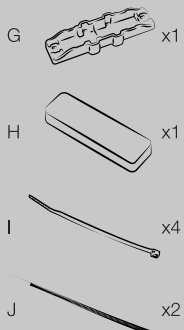


Part Index

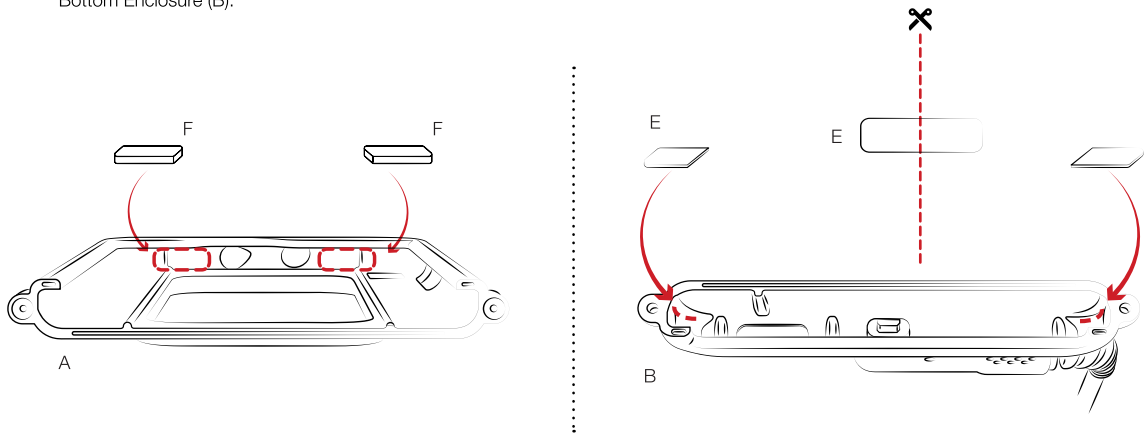
*not to scale



Cable Clamp Parts Index

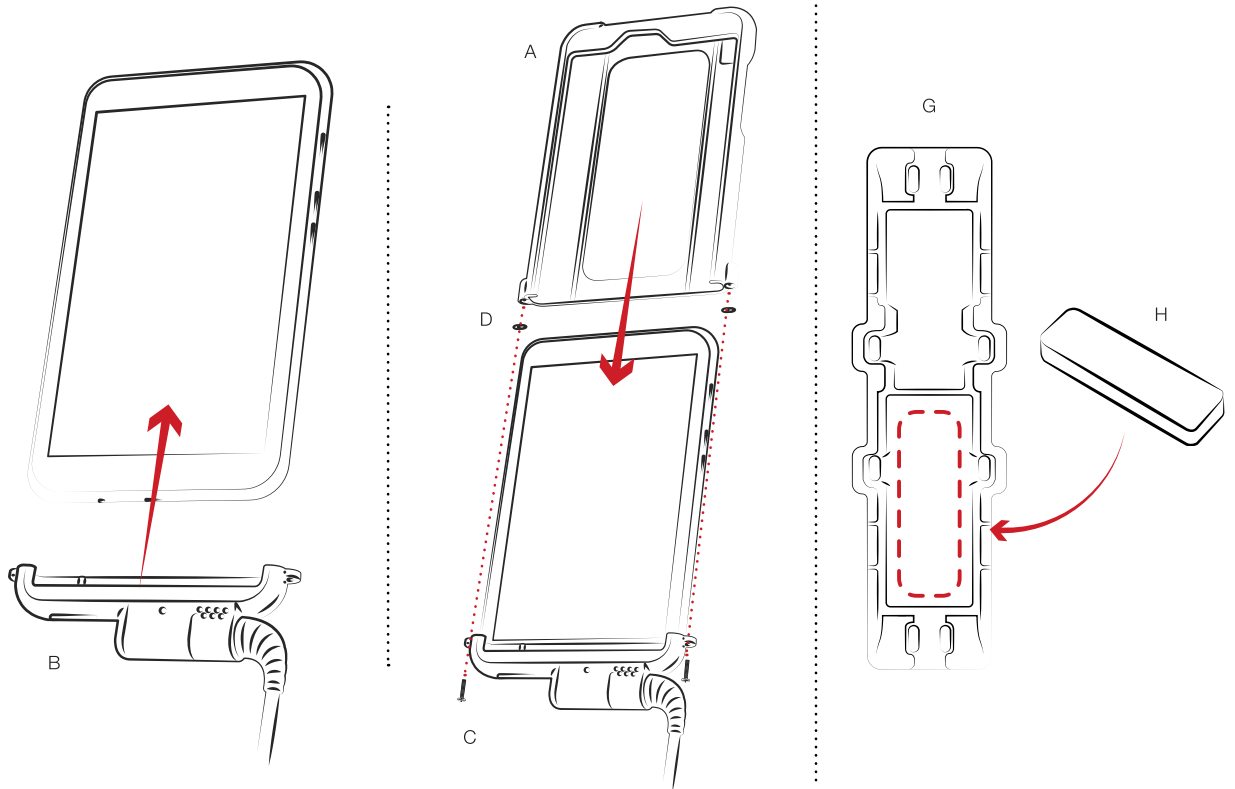


1 First prep the top and bottom cups with the included foam inserts. Remove the adhesive backing from the Thick Foam Pads (F) and insert them into the inside area of the Top Enclosure (A) on either side of the cutouts. Take the single Thin Foam Pad (E) and carefully cut it in half length wise. Remove the adhesive backing and insert the now two thin foam pads into each corner of the Bottom Enclosure (B).



2 Carefully insert the device into the prepped Bottom Enclosure (B) ensuring positive connection with the USB connector. Then connect the Bottom Enclosure (B) to the Top Enclosure using the two Bolts (C) and sandwiching the rubber gaskets (D).

When using included RAM® Cable Clamp (G) be sure to attach the accompanying foam insert into the longer side of the bracket when using Type A USB cables for greater stabilization.



RPR-INS-TC-SAM67



Safety Precaution

Do not install this product near or over an airbag deployment area or in a location that obstructs the driver's vision or interferes with vehicle operation. National Products, Inc does not assume responsibility or liability for any such personal injury, death or property damage.